



# TEX2500LCD

TECHNICAL ANNEX  
VOLUME 2



## Appendix A Piani di montaggio, schemi elettrici, liste componenti / Component layouts, schematics, bills of material

Questa parte del manuale contiene i dettagli tecnici riguardanti la costruzione delle singole schede componenti il TEX2500LCD. L'appendice è composta dalle seguenti sezioni:

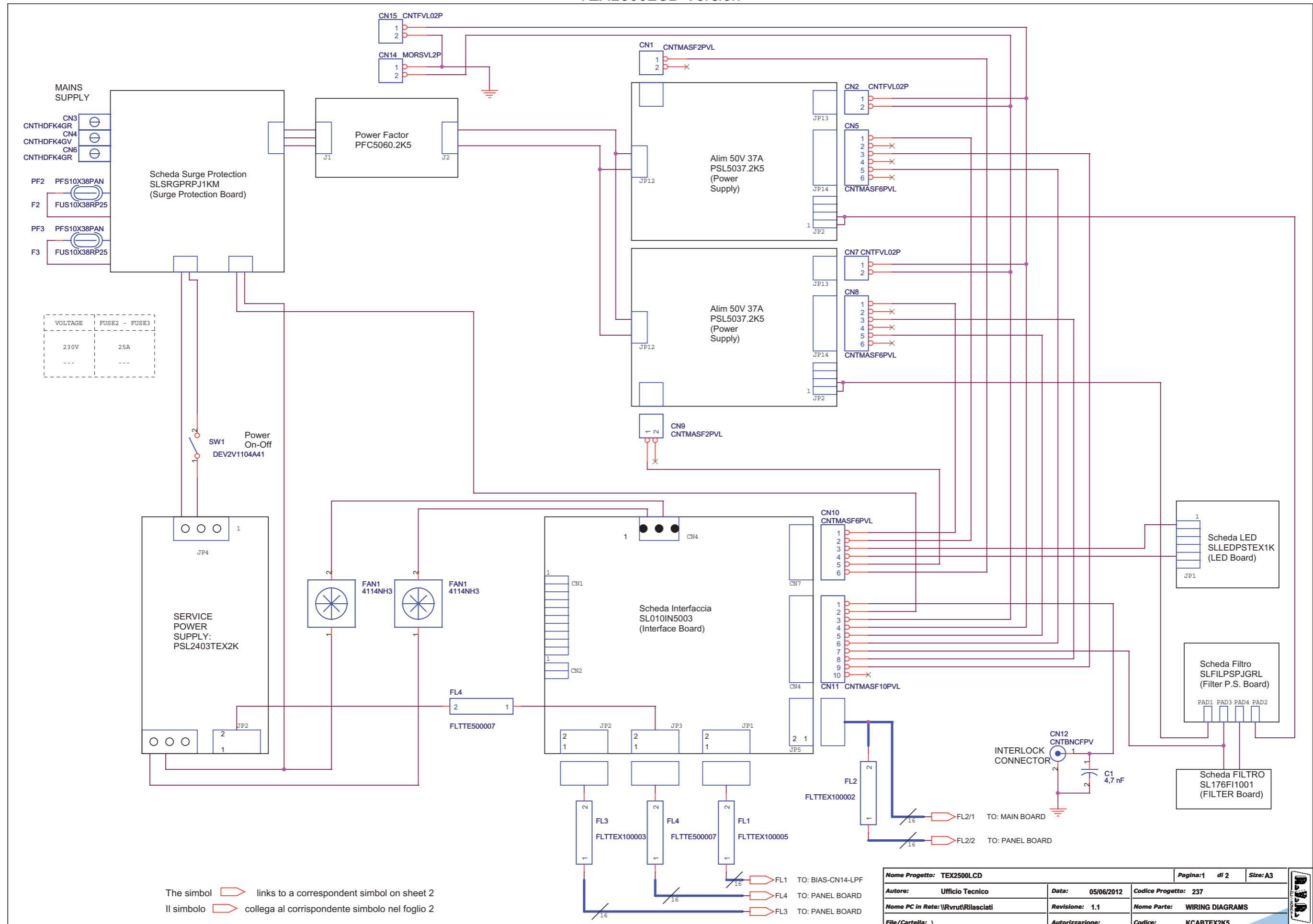
*This part of the manual contains the technical details about the different Cards of the TEX2500LCD. This appendix is composed of the following sections:*

Description	RVR Code RVR Code	Vers.	Page
Wiring Diagram	TEX2500LCD Version	1.1	1
Main Board	SLMBDTEXLC07	1.1	4
Driver Card	SL237DR1001	1.1	13
Splitter Card	SLSPLPJ1KC1	1.0	16
R.F. Card	SL237RF1001	1.2	18
Combiner Card	SLCMBPJ1KC1	1.1	21
LPF Card	SLLPFTEX2K5	1.1	23
Surge Protection Card	SLSRGPRPJ1KM	1.2	26
Power Factor Correction	PFCPSL5060	1.0	29
Power Supply	PSL5037.2K5	1.0	39
Auxiliary Power Supply	PSL2403-TEX2K	5.0	41
Filter PS Card	SLFILPSPJGRL	1.0	44
Fuse Card	SLFUSRFPJ2K5C	1.1	46
LED Card	SLLPSTEX1K	1.4	48
Panel Card	SL007PC3001	1.0	50
BIAS Card	SLBIASTEX2K	1.4	53
Interface Card	SL010IN5003	1.3	57
Pass Through Card	SLFILPJ1KM	2.0	60
Filter Card	SL176FI1001	2.0	62
Thermal Probe Card	SL024MT1001	0.1	64
Directional Coupler Card	SLDCLPFPJ2K5	1.1	66
Telemetry Card	SLTLMTXLCD03	2.2	68
Stereo Coder Card	SLCTC30V03	1.1	70

### Document History

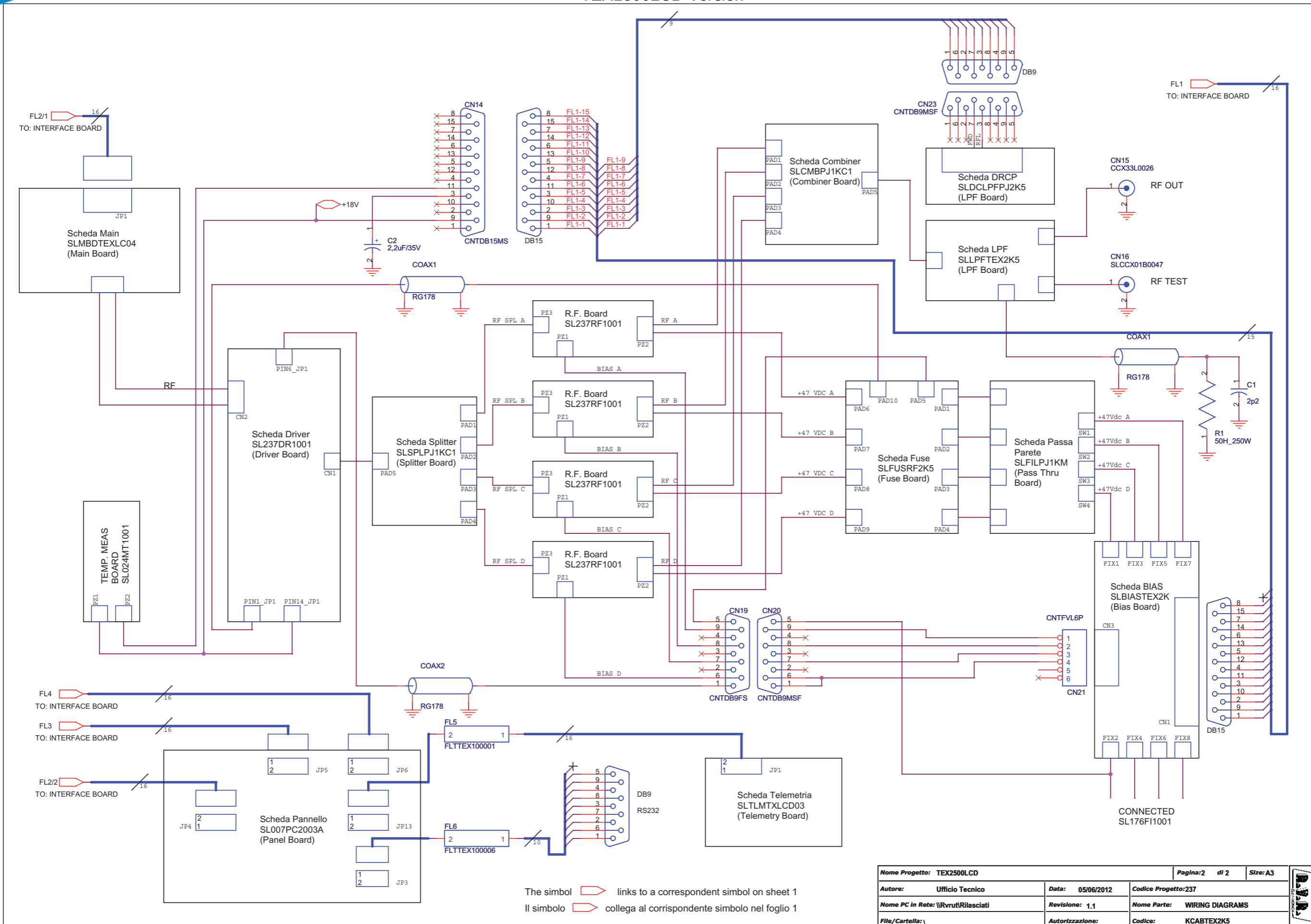
Date	Version	Reason	Code	Editor
31/08/2012	1.0	First Release	/	J.H. Berti

TEX2500LCD Version



Nome Progetto: TEX2500LCD		Pagina: 1 di 2		Size: A3
Autore: Ufficio Tecnico	Data: 05/06/2012	Codice Progetto: 237		
Nome PC in Rete: \\Rvru1\Rilasciati	Revisione: 1,1	Nome Parte: WIRING DIAGRAMS		
File/Cartella: \	Autorizzazione:	Codice: KCABTEX2K5		

TEX2500LCD Version



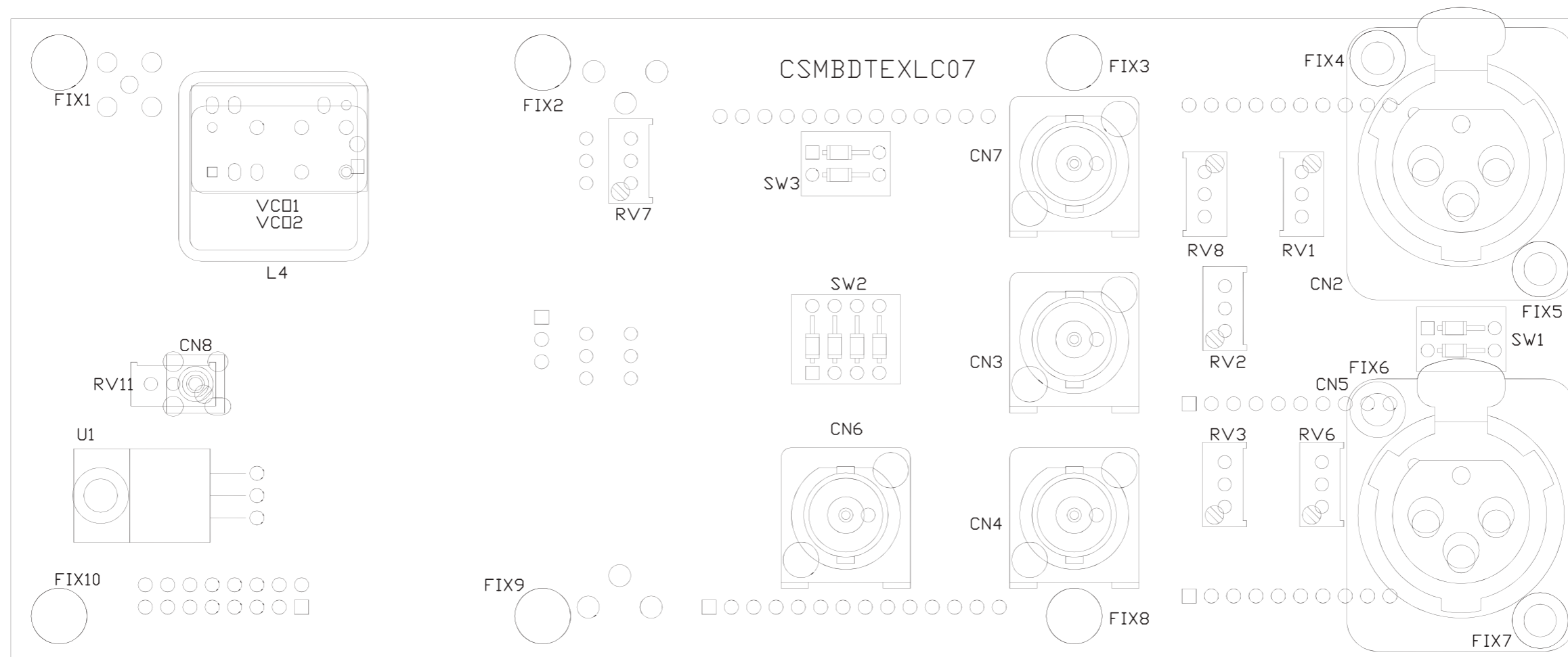
The simbol links to a correspondent simbol on sheet 1  
 Il simbolo collega al corrispondente simbolo nel foglio 1

Nome Progetto: TEX2500LCD		Pagina: 2 di 2		Size: A3
Autore: Ufficio Tecnico	Data: 05/06/2012	Codice Progetto: 237		
Nome PC in Rete: \\Rvru\lRilasciati	Revisione: 1.1	Nome Parte: WIRING DIAGRAMS		
File/Cartella: \	Autorizzazione:	Codice: KCABTEX2K5		

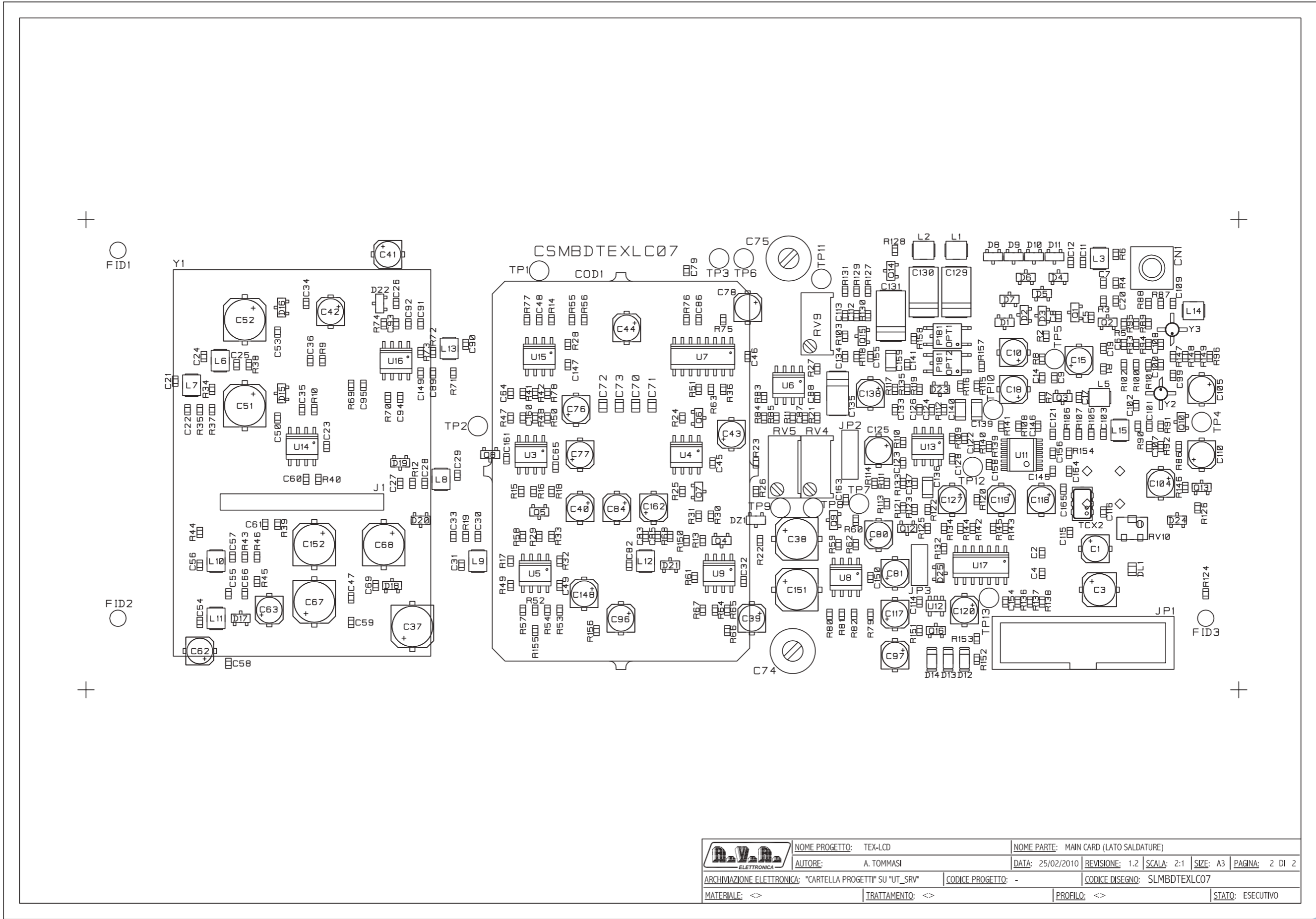
TEX2500LCD Version

Revised: Tuesday, June 05, 2012  
 1 Revision: 1

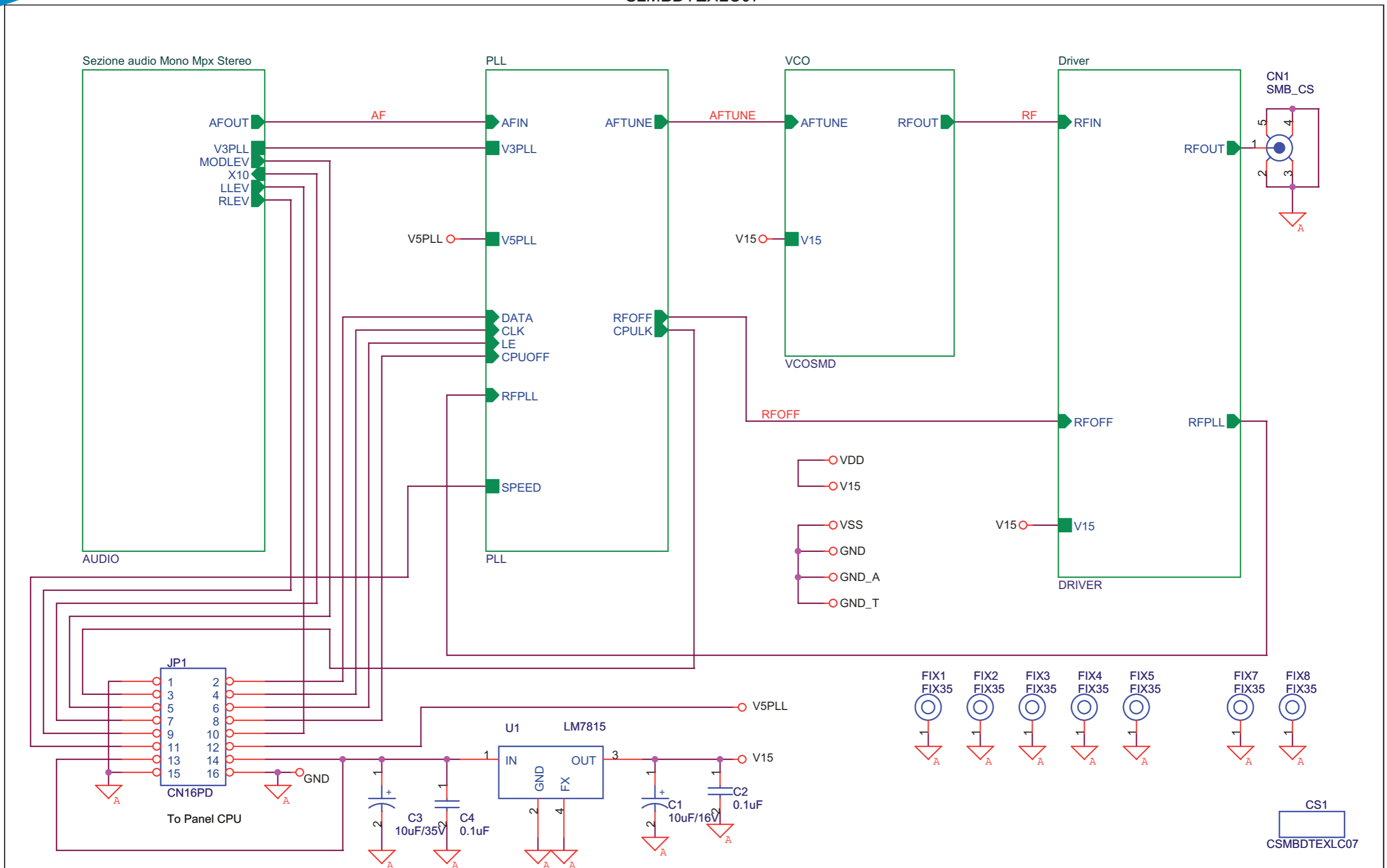
Item	Quantity	Reference	Part
1	2	CN1, CN9	CNTMASF2PVL
2	3	CN2, CN7, CN15	CNTFVL02P
3	2	CN3, CN6	CNTHDFK4GR
4	1	CN4	CNTHDFK4GV
5	3	CN5, CN8, CN10	CNTMASF6PVL
6	1	CN11	CNTMASF10PVL
7	1	CN12	CNTBNCFPV
8	1	CN14	MORSVL2P
9	1	CN14	CNTDB15MS
10	1	CN15	CCX33L0026
11	1	CN16	SLCCX01B0047
12	1	CN19	CNTDB9FS
13	2	CN20, CN23	CNTDB9MSF
14	1	CN21	CNTFVL6P
15	2	COAX1, COAX2	RG178
16	1	C1	2p2
17	1	C1	4,7 nF
18	1	C2	2,2uF/35V
19	1	FAN1	4114NH3
20	1	FL1	FLTTEX100005
21	1	FL2	FLTTEX100002
22	1	FL3	FLTTEX100003
23	1	FL4	FLTTE500007
24	1	FL5	FLTTEX100001
25	1	FL6	FLTTEX100006
26	2	F2, F3	FUS10X38RP25
27	2	PF2, PF3	PFS10X38PAN
28	1	R1	50H_250W
29	1	SW1	DEV2V1104A41
30	4	ZZZ1, ZZZ2, ZZZ3, ZZZ4	ZZZ



	NOME PROGETTO: TEX-LCD	NOME PARTE: MAIN CARD (LATO COMPONENTI)			
	AUTORE: A. TOMMASI	DATA: 25/02/2010	REVISIONE: 1.2	SCALA: 2:1	SIZE: A3
ARCHIVIAZIONE ELETTRONICA: "CARTELLA PROGETTI" SU "UT_SRV"		CODICE PROGETTO: -	CODICE DISEGNO: SLMBDTEXLC07		
MATERIALE: <>	TRATTAMENTO: <>	PROFILO: <>	STATO: ESECUTIVO		



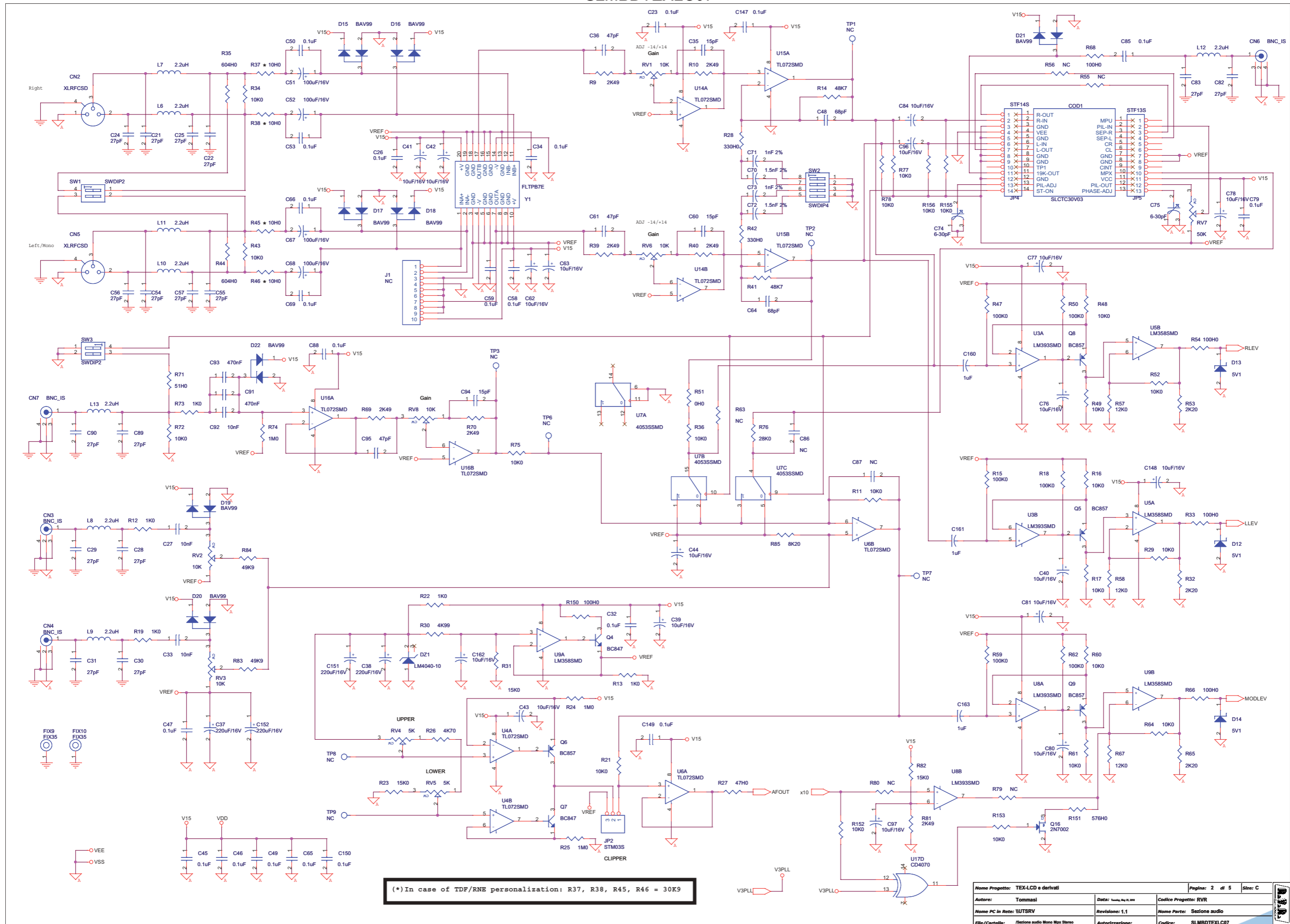
	NOME PROGETTO: TEX-LCD	NOME PARTE: MAIN CARD (LATO SALDATURE)			
	AUTORE: A. TOMMASI	DATA: 25/02/2010	REVISIONE: 1.2	SCALA: 2:1	SIZE: A3
ARCHIVIAZIONE ELETTRONICA: "CARTELLA PROGETTI" SU "UT_SRV"	CODICE PROGETTO: -	CODICE DISEGNO: SLMBDTEXLC07			
MATERIALE: <>	TRATTAMENTO: <>	PROFILO: <>	STATO: ESECUTIVO		



<b>Nome Progetto:</b> TEX-LCD e derivati		<b>Pagina:</b> 1 di 5	<b>Size:</b> A
<b>Autore:</b> Tommasi	<b>Data:</b> Tuesday, May 25, 2010	<b>Codice Progetto:</b> RVR	
<b>Nome PC in Rete:</b> \\UTSRV	<b>Revisione:</b> 1.1	<b>Nome Parte:</b> Main card TEX-LCD e derivati	
<b>File/Cartella:</b> /	<b>Autorizzazione:</b>	<b>Codice:</b> SLMBDTEXLC07	

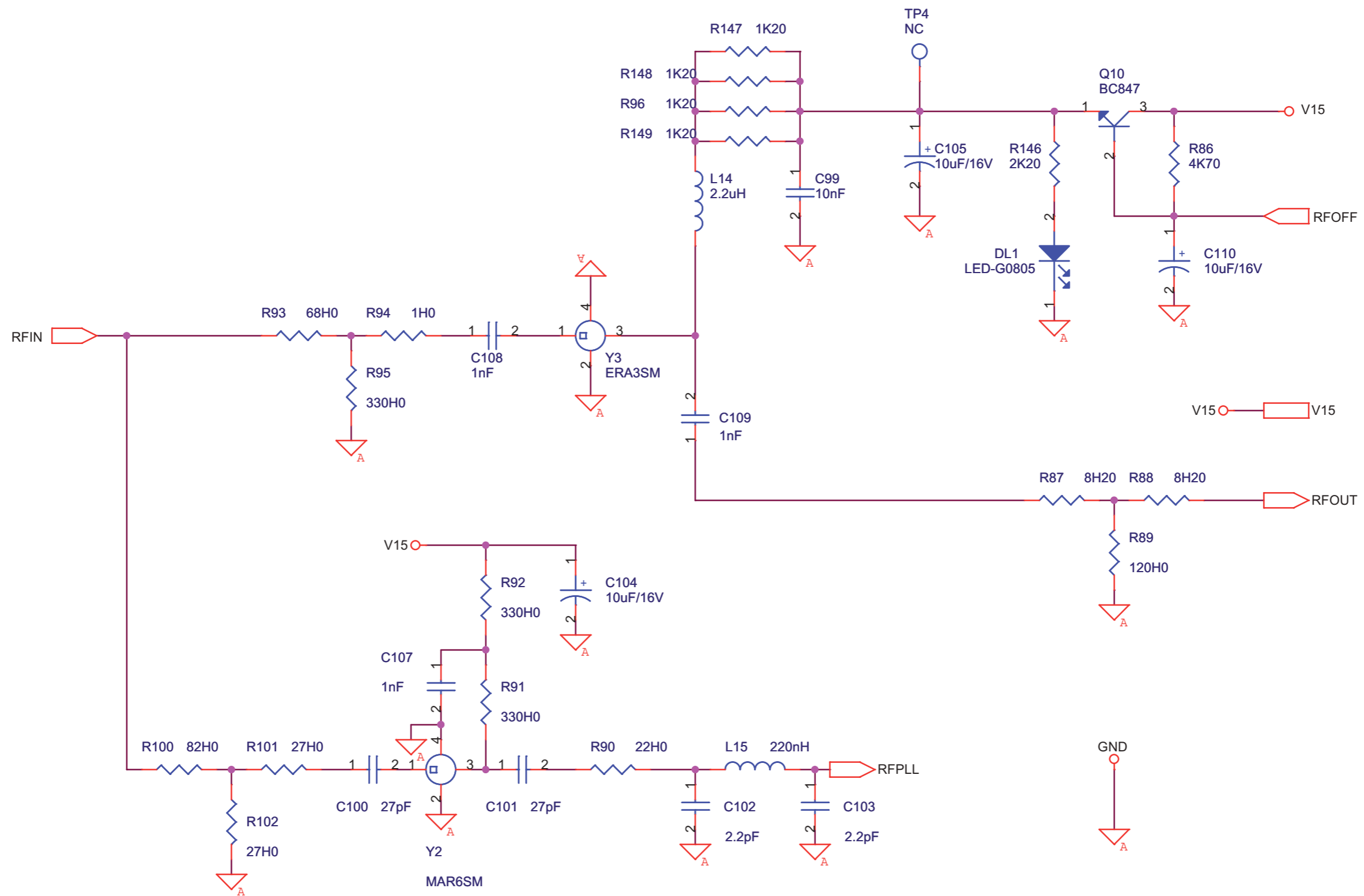


SLMBDTEXLC07



(\* In case of TDF/RNE personalization: R37, R38, R45, R46 = 30K9

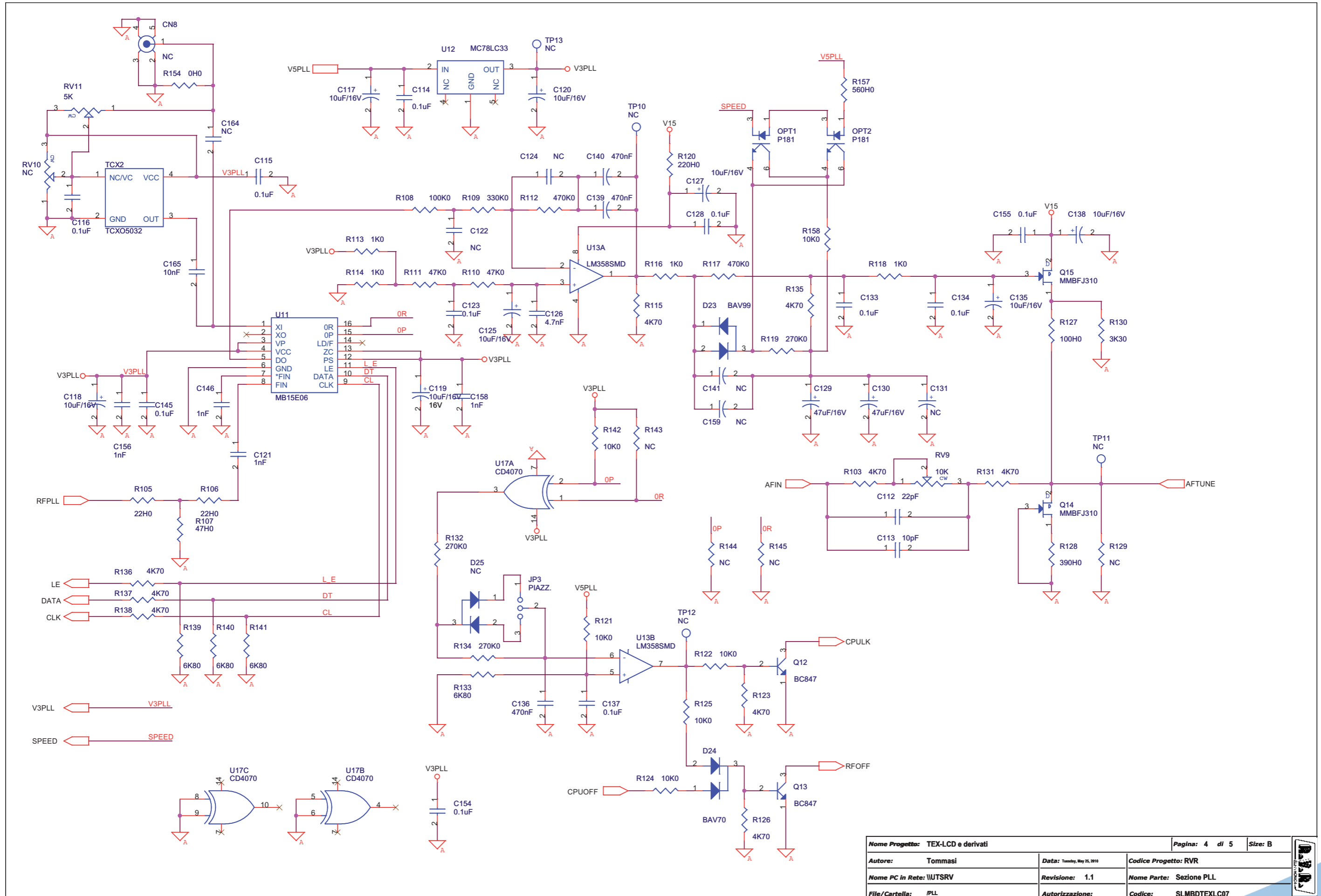
Nome Progetto: TEX-LCD e derivati	Data: 26/08/12	Pagina: 2 di 5	Size: C
Autore: Tommasi	Revisione: 1,1	Nome Parte: Sezione audio	
Nome PC In Rete: WUTSRV	File/Cartella: /Sezione audio Mono Mp3 Stereo	Autore/Revisione:	Codice: SLMBDTEXLC07



Nome Progetto: TEX-LCD e derivati		Pagina: 3 di 5	Size: A
Autore: Tommasi	Data: Tuesday, May 25, 2010	Codice Progetto: RVR	
Nome PC in Rete: \\UTSRV	Revisione: 1.1	Nome Parte: Sezione Driver	
File/Cartella: /Driver	Autorizzazione:	Codice: SLMBDTEXLC07	

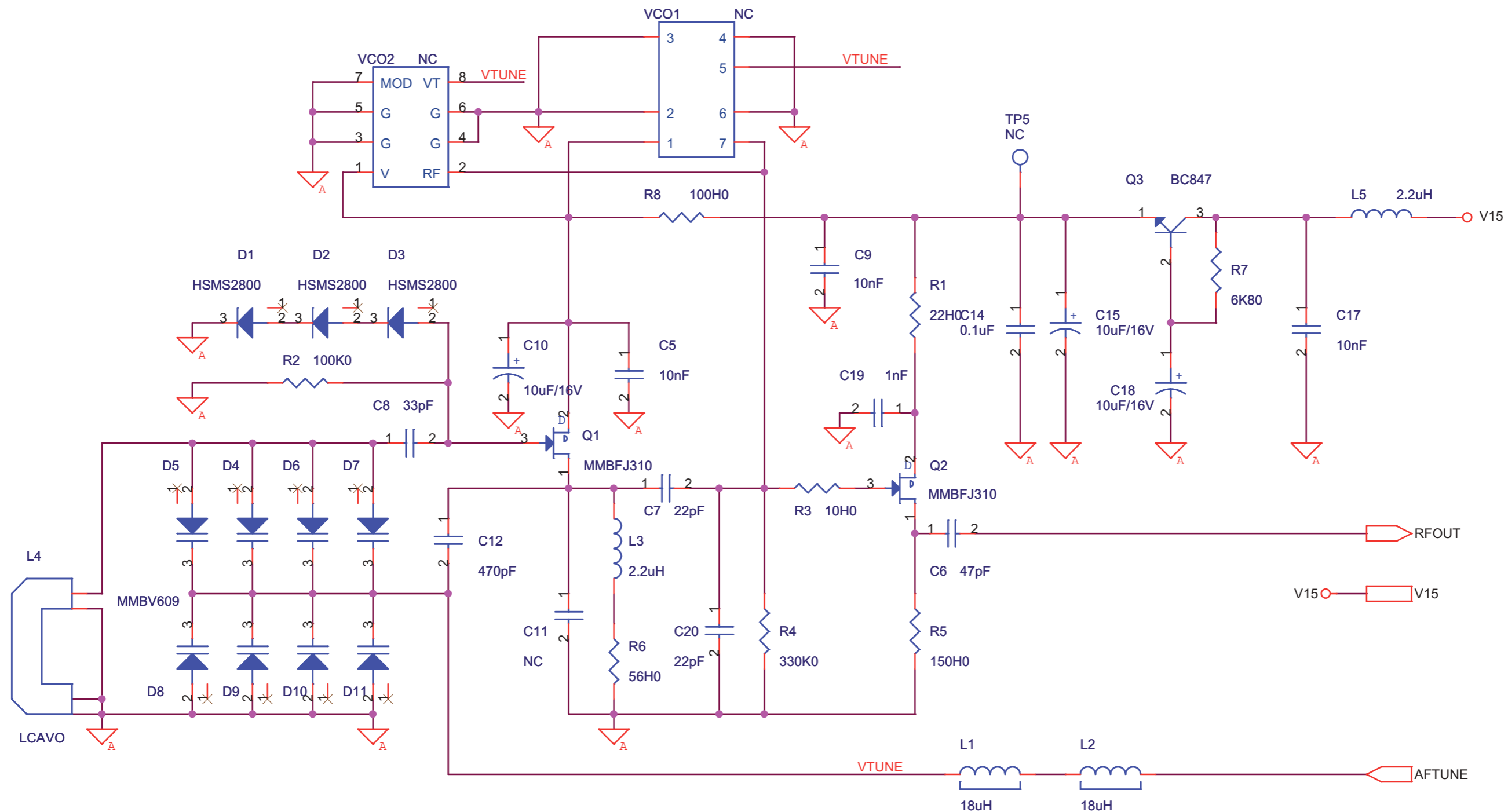


SLMBDTEXLC07



Nome Progetto: TEX-LCD e derivati		Pagina: 4 di 5		Size: B
Autore: Tommasi	Data: Tuesday, May 25, 2011	Codice Progetto: RVR		
Nome PC in Rete: \NUTSRV	Revisione: 1.1	Nome Parte: Sezione PLL		
File/Cartella: iPLL	Autorizzazione:	Codice: SLMBDTEXLC07		

SLMBDTEXLC07



Il cavo e' montato lato saldature

<b>Nome Progetto:</b> TEX-LCD e derivati		<b>Pagina:</b> 5 di 5	<b>Size:</b> A
<b>Autore:</b> Tommasi	<b>Data:</b> Tuesday, May 25, 2010	<b>Codice Progetto:</b> RVR	
<b>Nome PC in Rete:</b> \\UTSRV	<b>Revisione:</b> 1.1	<b>Nome Parte:</b> Sezione VCO	
<b>File/Cartella:</b> NCO	<b>Autorizzazione:</b>	<b>Codice:</b> SLMBDTEXLC07	



SLMBDTEXLC07

Main card TEX-LCD e derivati Revised: 25/05/2010  
 SLMBDTEXLC07 Revision: 1.1  
 TEX-LCD e derivati  
 RVR  
 Tommasi

Item	Quantity	Reference	Part	Description	Code
1	1	CN1	SMB_CS	Connettore SMB cs	CNTSMBMCS
2	2	CN2,CN5	XLRFCSD	Connettore XLR femm. cs	CNTXLRFCSD
3	4	CN3,CN4,CN6,CN7	BNC_IS	Connettore BNC metallico	CNTBNCFCSDM
4	1	CN8	NC	Connettore SMB cs	
5	1	COD1	SLCTC30V03	Coder stereo IRV30CT	SLCTC30V03
6	1	CS1	CSMBDTEXLC07	Circuito stampato	CSMBDTEXLC07
7	32	C1,C10,C15,C18,C39,C40, C41,C42,C43,C44,C62,C63, C76,C77,C78,C80,C81,C84, C96,C97,C104,C105,C110, C117,C118,C119,C120,C125, C127,C138,C148,C162	10uF/16V	Cond. Elett. SMD d. 4mm	CES106A160
8	35	C2,C4,C14,C23,C26,C32, C34,C45,C46,C47,C49,C50, C53,C58,C59,C65,C66,C69, C79,C85,C88,C114,C115, C116,C123,C128,C133,C134, C137,C145,C147,C149,C150, C154,C155	0.1uF	Cond. SMD 0805	CCC085104KXC
9	1	C3	10uF/35V	Cond. Elett. SMD d. 5mm	CES106B350
10	8	C5,C9,C17,C27,C33,C92, C99,C165	10nF	Cond. SMD 0805	CCC085103KXC
11	4	C6,C36,C61,C95	47pF	Cond. SMD 0805	CCC085470JCC
12	3	C7,C20,C112	22pF	Cond. SMD 0805	CCC085220JCC
13	1	C8	33pF	Cond. SMD 0805	CCC085330JCC
14	6	C11,C86,C87,C122,C124, C164	NC	Cond. SMD 0805	
15	1	C12	470pF	Cond. SMD 0805	CCC085471JCC
16	8	C19,C107,C108,C109,C121, C146,C156,C158	1nF	Cond. SMD 0805	CCC085102JNC
17	18	C21,C22,C24,C25,C28,C29, C30,C31,C54,C55,C56,C57, C82,C83,C89,C90,C100, C101	27pF	Cond. SMD 0805	CCC085270JCC
18	3	C35,C60,C94	15pF	Cond. SMD 0805	CCC085150JCC
19	4	C37,C38,C151,C152	220uF/16V	Cond. Elett. SMD d. 6.3mm	CES227E160
20	2	C48,C64	68pF	Cond. SMD 0805	CCC085680JCC
21	4	C51,C52,C67,C68	100uF/16V	Cond. Elett. SMD d. 6.3mm	CES107C160
22	2	C70,C72	1.5nF 2%	Cond. SMD 0805 COG	CCC085152GCC
23	2	C71,C73	1nF 2%	Cond. SMD 0805 COG	CCC085102GCC
24	2	C74,C75	6-30pF	Comp. ceramico dia. 7mm	CVC300D07
25	2	C91,C93	470nF	Cond. SMD 0805	CCC085474KXC
26	2	C102,C103	2.2pF	Cond. SMD 0805	CCC08522P2JCC
27	1	C113	10pF	Cond. SMD 0805	CCC085100JCC
28	1	C126	4.7nF	Cond. SMD 0805	CCC085472KXC
29	2	C129,C130	47uF/16V	Cond. Elett. SMD Tant. size D	CET476D160SM
30	1	C131	NC	Cond. Elett. SMD Tant. size D	
31	1	C135	10uF/16V	Cond. Elett. SMD Tant. size C	CET106C160SM
32	3	C136,C139,C140	470nF	Cond. SMD 1206	CCC126474KXC
33	2	C141,C159	NC	Cond. SMD 1206	
34	3	C160,C161,C163	1uF	Cond. SMD 0805	CCC085105KYC
35	1	DL1	LED-G0805	LED SMD 0805	LEDV0805
36	1	DZ1	LM4040-10	Diodi Zener SMD SOT23	CILLM4040-10
37	3	D1,D2,D3	HSMS2800	Diodo SMD SOT23	DISHSMS2800
38	8	D4,D5,D6,D7,D8,D9,D10, D11	MMBV609	Diodo Varicap SMD SOT23	DIVMMBV609
39	3	D12,D13,D14	5V1	MINIMELF SMD Zener Diode	DIZ5V1MINI
40	9	D15,D16,D17,D18,D19,D20, D21,D22,D23	BAV99	Doppio Diodo SMD SOT23	DISBAV99
41	1	D24	BAV70	Doppio Diodo SMD SOT23	DISBAV70
42	1	D25	NC	Doppio Diodo SMD SOT23	
43	9	FIX1,FIX2,FIX3,FIX4,FIX5, FIX7,FIX8,FIX9,FIX10	FIX35	Foro fissaggio 3.5mm	
44	1	JP1	CN16PD	Connettore 16 poli Flat cs	CNTMCS16A
45	1	JP2	STM03S	Strip maschio 3 pin	CNTSTM03SDA
46	1	JP3	PIAZZ.		

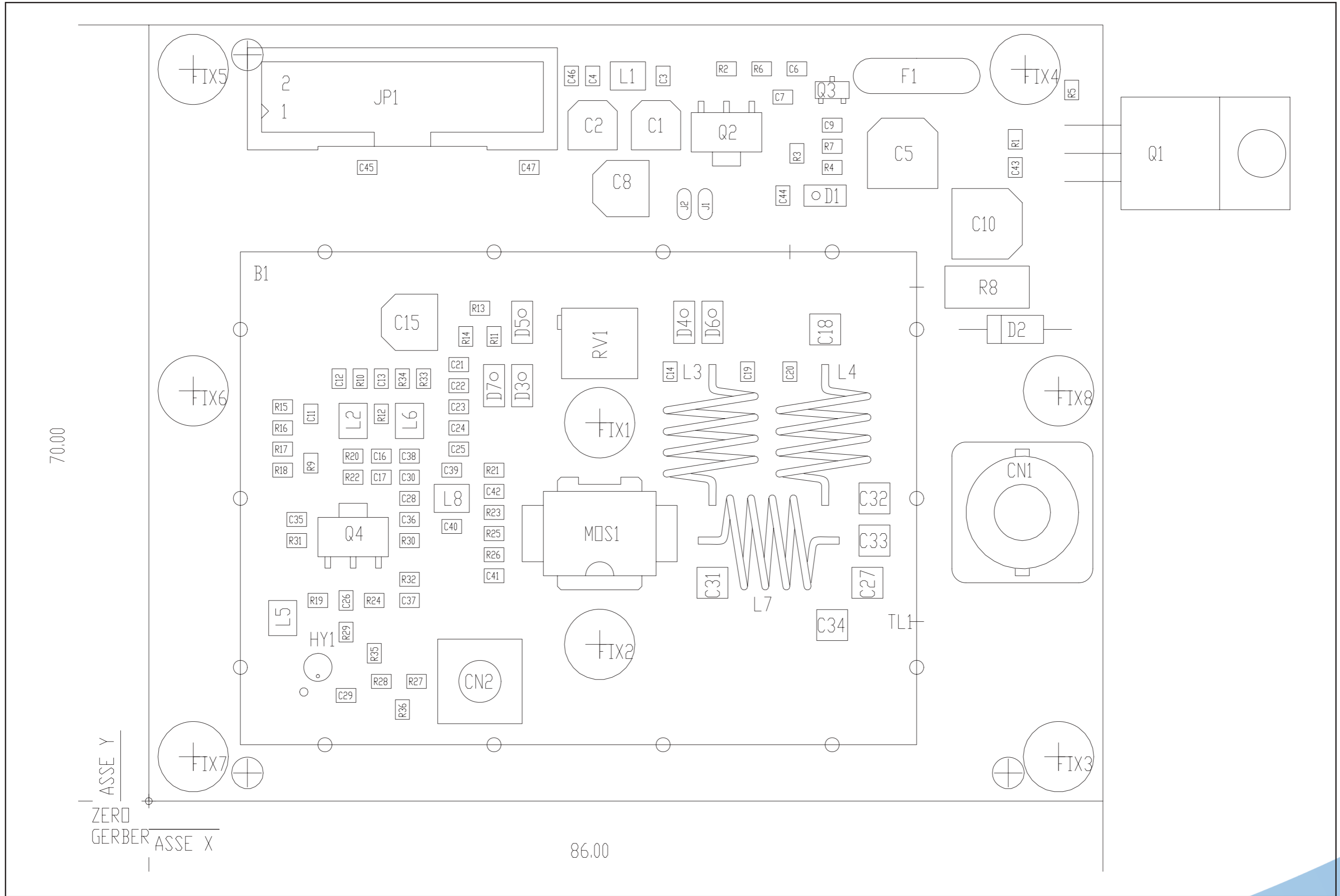
47	1	JP4	STF14S	Strip femmina 14 pin	CNTSTF14SDB
48	1	JP5	STF13S	Strip femmina 13 pin	CNTSTF13SDB
49	1	J1	NC	Strip femmina 10 pin	
50	2	L1,L2	18uH		IMP18US120S
51	11	L3,L5,L6,L7,L8,L9,L10, L11,L12,L13,L14	2.2uH	Induttanza SMD 3225 (1210)	IMP2U2S120
52	1	L4	LCAVO	Induttanza a cavo RG	
53	1	L15	220nH	Induttanza SMD 3225 (1210)	IMP220NS120
54	2	OPT1,OPT2	TLP181	Optoisolatore SMD SO6	LEDTLP181
55	4	Q1,Q2,Q14,Q15	MMBFJ310	Trans. FET SOT23	TRNMMBFJ310
56	6	Q3,Q4,Q7,Q10,Q12,Q13	BC847	Trans. NPN SOT23	TRNBC847
57	4	Q5,Q6,Q8,Q9	BC857	Trans. PNP SOT23	TRNBC857
58	1	Q16	2N7002	Trans. FET SOT23	TRN2N7002SMD
59	6	RV1,RV2,RV3,RV6,RV8,RV9	10K	Trimmer Rg V 3296W	RVT3296WK010
60	3	RV4,RV5,RV11	5K	Trimmer Rg V 3296W	RVT3296WK005
61	1	RV7	50K	Trimmer Rg V 3296W	RVT3296WK050
62	1	RV10	NC	Trimm. multi SMD PVG5 Murata	
63	4	R1,R90,R105,R106	22H0	Res. SMD 0805	RCH085F0022H
64	8	R2,R15,R18,R47,R50,R59, R62,R108	100K0	Res. SMD 0805	RCH085F0100K
65	5	R3,R37,R38,R45,R46	10H0	Res. SMD 0805	RCH085F0010H
66	2	R4,R109	330K0	Res. SMD 0805	RCH085F0330K
67	1	R5	150H0	Res. SMD 0805	RCH085F0150H
68	1	R6	56H0	Res. SMD 0805	RCH085F0056H
69	5	R7,R133,R139,R140,R141	6K80	Res. SMD 0805	RCH085F006K8
70	7	R8,R33,R54,R66,R68,R127, R150	100H0	Res. SMD 0805	RCH085F0100H
71	7	R9,R10,R39,R40,R69,R70, R81	2K49	Res. SMD 0805	RCH085F02K49
72	28	R11,R16,R17,R21,R29,R34, R36,R43,R48,R49,R52,R60, R61,R64,R72,R75,R77,R78, R121,R122,R124,R125,R142, R152,R153,R155,R156,R158	10K0	Res. SMD 0805	RCH085F0010K
73	9	R12,R13,R19,R22,R73,R113, R114,R116,R118	1K0	Res. SMD 0805	RCH085F0001K
74	2	R14,R41	48K7	Res. SMD 0805	RCH085F048K7
75	3	R23,R31,R82	15K0	Res. SMD 0805	RCH085F0015K
76	3	R24,R25,R74	1M0	Res. SMD 0805	RCH085F0001M
77	11	R26,R86,R103,R115,R123, R126,R131,R135,R136,R137, R138	4K70	Res. SMD 0805	RCH085F004K7
78	2	R27,R107	47H0	Res. SMD 0805	RCH085F0047H
79	5	R28,R42,R91,R92,R95	330H0	Res. SMD 0805	RCH085J0330H
80	1	R30	4K99	Res. SMD 0805	RCH085F04K99
81	4	R32,R53,R65,R146	2K20	Res. SMD 0805	RCH085F002K2
82	2	R35,R44	604H0	Res. SMD 0805	RCH085F0604H
83	2	R51,R154	0H0	Res. SMD 0805	RCH085F0000H
84	3	R57,R58,R67	12K0	Res. SMD 0805	RCH085F0012K
85	9	R63,R79,R80,R129,R143, R144,R145,R55,R56	NC	Res. SMD 0805	
86	1	R71	51H0	Res. SMD 0805	RCH085F0051H
87	1	R76	28K0	Res. SMD 0805	RCH085F0028K
88	2	R83,R84	49K9	Res. SMD 0805	RCH085F049K9
89	1	R85	8K20	Res. SMD 0805	RCH085F008K2
90	2	R87,R88	8H20	Res. SMD 0805	RCH085F008H2
91	1	R89	120H0	Res. SMD 0805	RCH085F0120H
92	1	R93	68H0	Res. SMD 0805	RCH085F0068H
93	1	R94	1H0	Res. SMD 0805	RCH085F0001H
94	4	R96,R147,R148,R149	1K20	Res. SMD 0805	RCH085F001K2
95	1	R100	82H0	Res. SMD 0805	RCH085F0082H
96	2	R101,R102	27H0	Res. SMD 0805	RCH085F0027H
97	2	R110,R111	47K0	Res. SMD 0805	RCH085F0047K
98	2	R112,R117	470K0	Res. SMD 0805	RCH085F0470K
99	3	R119,R132,R134	270K0	Res. SMD 0805	RCH085F0270K
100	1	R120	220H0	Res. SMD 0805	RCH085F0220H
101	1	R128	390H0	Res. SMD 0805	RCH085F0390H
102	1	R130	3K30	Res. SMD 0805	RCH085F003K3
103	1	R151	576H0	Res. SMD 0805	RCH085F0576H
104	1	R157	560H0	Res. SMD 0805	RCH085F0560H
105	2	SW1,SW3	SWDIP2	Dip switch 2 vie	DSW2V0
106	1	SW2	SWDIP4	Dip switch 4 vie	DSW4V0
107	1	TCX2	TCXO5032	TCXO SMD 5x3.2mm	QRZ000010MMV

NOTA1

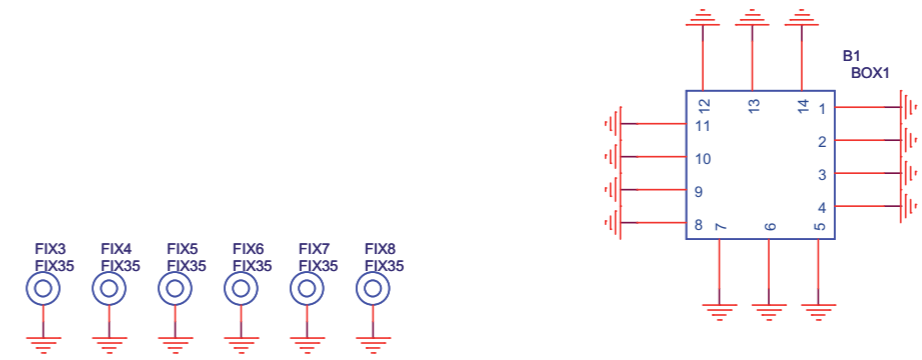
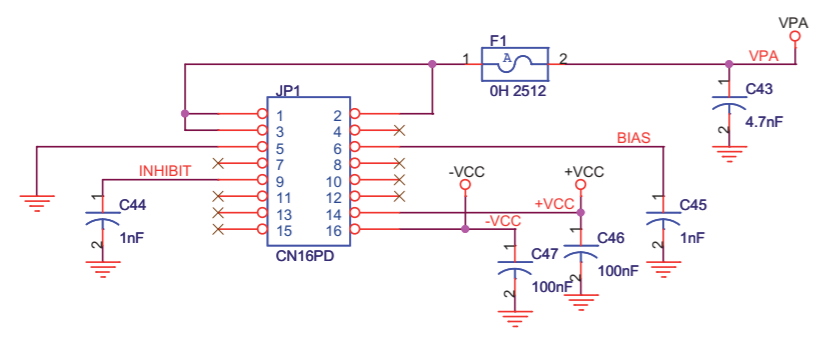
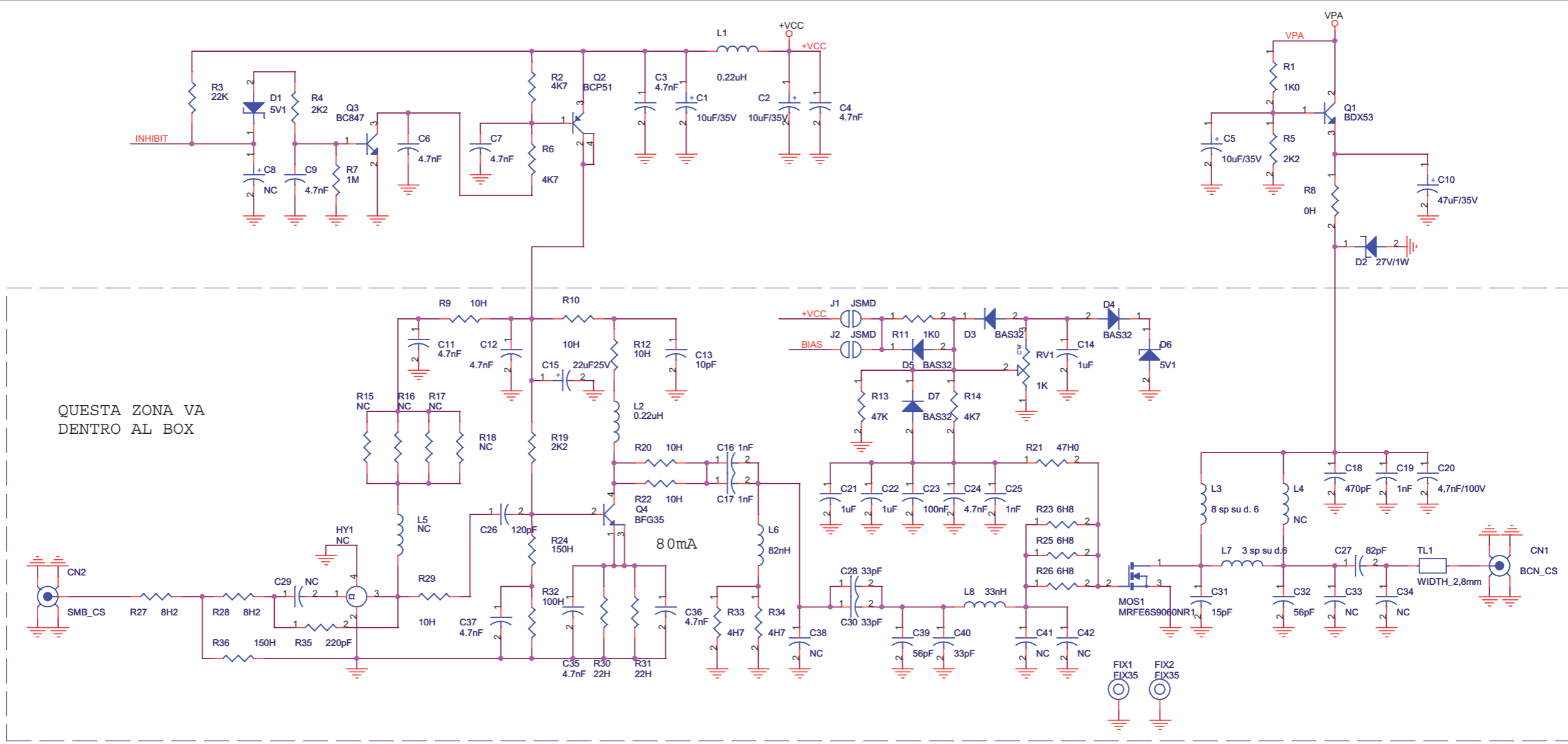
SLMBDTEXLC07

108	13	TP1,TP2,TP3,TP4,TP5,TP6, TP7, TP8, TP9, TP10, TP11, TP12, TP13	NC	Test point	
109	1	U1	LM7815	Stabilizzatore TO220	CIL7815P
110	2	U3,U8	LM393SMD	Dual Comp. SMD SO8	CILLM393SMD
111	3	U5,U9,U13	LM358SMD	Dual Op. SMD SO8	CILLM358SMD
112	5	U4,U6,U14,U15,U16	TL072SMD	Dual Op. SMD SO8	CILTL082SMD
113	1	U7	4053SSMD	Analog Switch SMD SO16	CIDCD4053S
114	1	U11	MB15E06	Integrated PLL	CIDMB15E06
115	1	U12	MC78LC33	Stab. SMD SOT23-5	CIL78LC33
116	1	U17	CD4070	Quad XOR	CID4070SMD
117	1	VCO1	NC		
118	1	VCO2	NC	VCO SKY 8 pin FVC7MD	
119	1	Y1	FLTPB7E	Filtro Audio Stereo Positron	FLTPB7E
120	1	Y2	MAR6SM	Ibrido MAR/ERA	MIBMAR6SMD
121	1	Y3	ERA3SM	Ibrido MAR/ERA	MIBERA3-SM

NOTA: In TDF/RNE Personalization R37, R38, R45, R46 = 30K9  
 NOTA1: montare RV7 su lato componenti



SL237DR1001



Project Name: TEX2500LCD GREEN LINE		Page: 1 of 1	Size: A3
Designer: Luca Gasperini	Date: 07/02/2012	Project Code: 237	
File Location: \\RVRUTR\ilasciat\	Revision: 1.1	Description: Driver 7dBm 30W FM	
Folder/File: /	Approval:	Part No.: SL237DR1001	



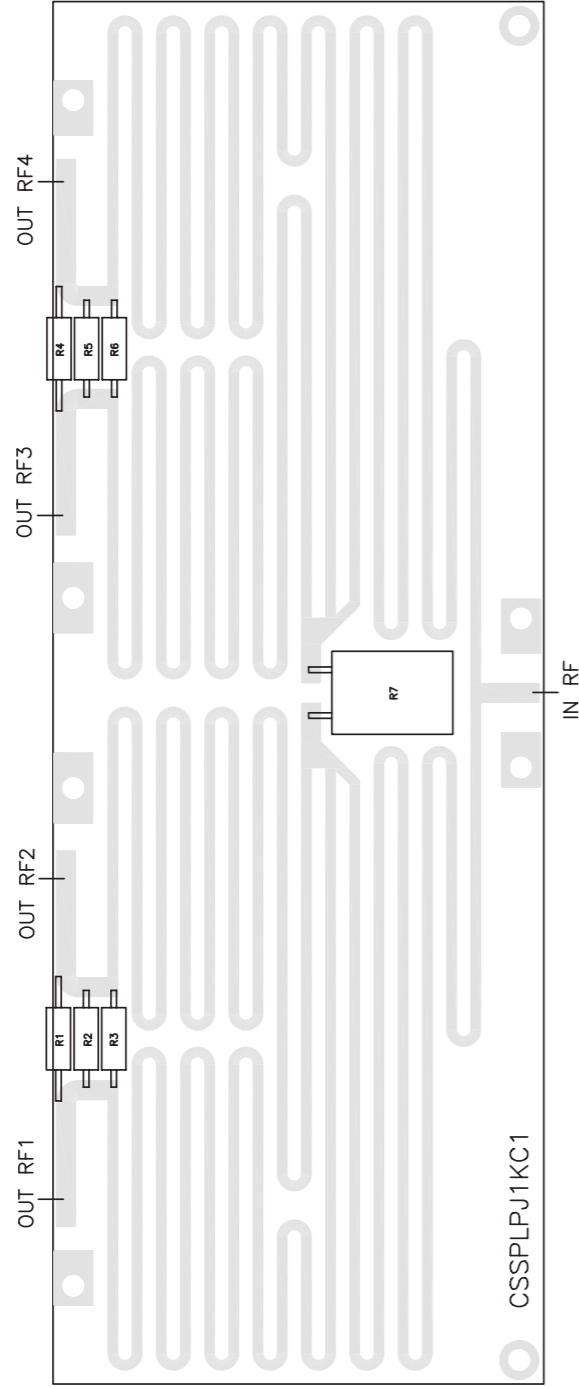
SL237DR1001

Driver 7dBm 30W FM Revised: 07/02/2012  
 SL237DR1001 Revision: 1.1  
 TEX2500LCD GREEN LINE  
 237

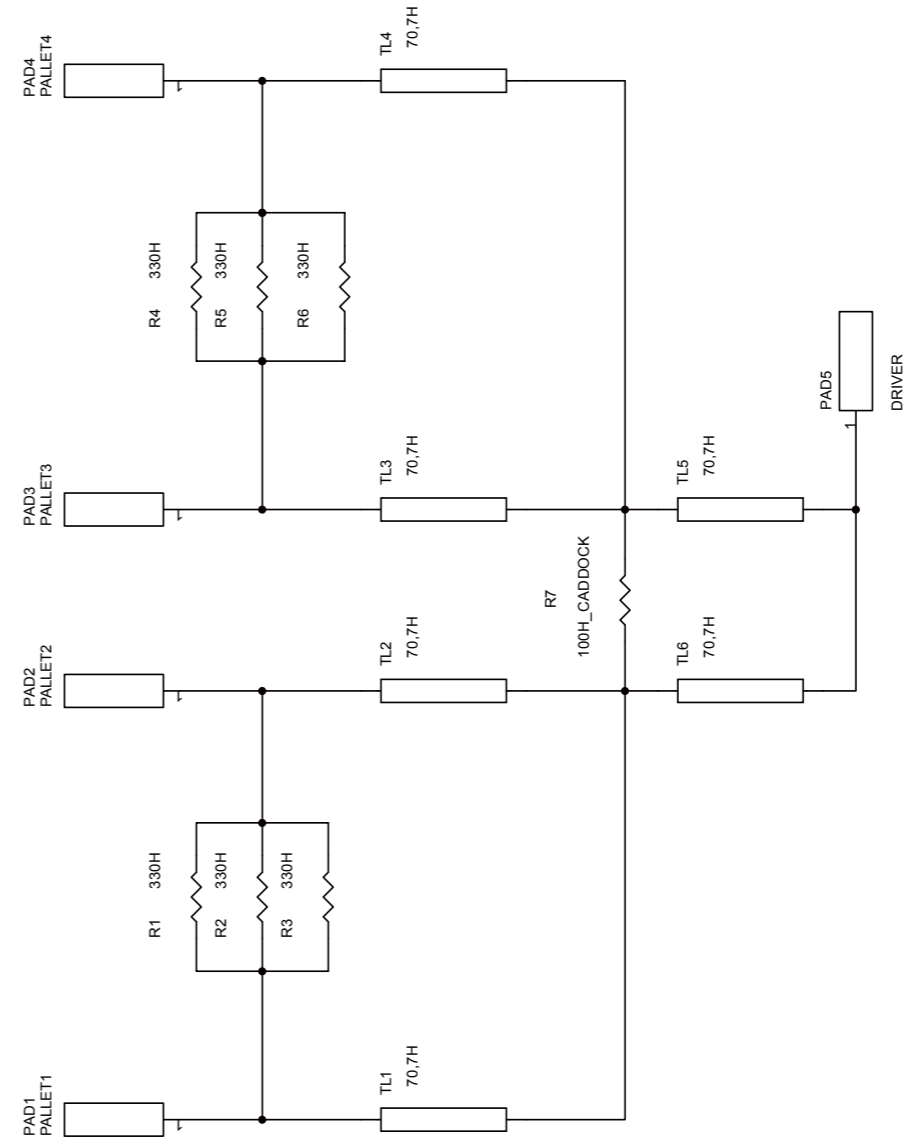
Luca Gasperini

Item	Quantity	Reference	Part	(description)	CODICE AS400
				C.S. DRIVER CARD TEX500L	CSDR0271R1
1	1	B1	BOX1	BOX VCO PTX-LCD	BOXVCO057/B
2	1	CN1	BNC_CS	NC	CNTBNCFCSD
3	1	CN2	SMB_CS	Connettore SMB cs	CNTSMBMCS
4	3	C1, C2, C5	10uF/35V	Cond. Elett. SMD d. 4mm	CES106B350
5	12	C3, C4, C6, C7, C9, C11, C12, C24, C35, C36, C37, C43*	4.7nF	Cond. SMD 0805	CCC085472KXC
6	1	C8, L3	NC	Cond. Elett. SMD d. 5mm	
7	1	C10	47uF/35V	Cond. Elett. SMD d. 6.3mm	CES476C350
8	1	C13	10pF	Cond. SMD 0805	CCC085100JCC
9	3	C14, C21, C22	1uF	Cond. SMD 0805	CCC085105KYC
10	1	C15	22uF25V	Cond. Elett. SMD d. 5mm	CES226C250
11	6	C16, C17, C19, C25, C44, C45	1nF	Cond. SMD 0805	CCC085102JNC
12	1	C18	470pF	Cond. SMD 1212 HQ	CCC085471JCC
13	1	C20	4,7nF/100V	Cond. SMD 0805	CCC085472KDX
14	3	C23, C46, C47	100nF	Cond. SMD 0805	CCC085104KXC
15	1	C26	120pF	Cond. SMD 0805	CCC085121JCC
16	1	C27	82pF	Cond. SMD 1212 HQ	CHQ820JA501
17	1	C39	56pF	Cond. SMD 0805	CCC085560JCC
18	3	C28, C30, C40	33pF	Cond. SMD 0805	CCC085330JCC
19	1	C29	NC	Cond. SMD 0805	
20	1	C31	15pF	Cond. SMD 1212 HQ	CHQ150JA501
21	3	C33, C34	NC	Cond. SMD 1212 HQ	
22	1	C32	56pF	Cond. SMD 1212 HQ	CHQ560JA501
23	3	C38, C41, C42	NC	Cond. SMD 0805	
24	1	D2	27V/1W	1W Zener Diode	DIZ27V1W
25	4	D3, D4, D5, D7	BAS32	MINIMELF SMD Diode	DISBAS32MINI
26	1	D6, D1	5V1	MINIMELF SMD Zener Diode	DIZ5V1MINI
27	8	FIX1, FIX2, FIX3, FIX4, FIX5, FIX6, FIX7, FIX8	FIX35	Foro fissaggio 3.5mm	
28	1	F1	0H 2512	Fusibile autorip. RUE p5mm	RCH252J0000H
29	1	HY1	NC	Ibrido MAR/ERA	
30	1	JP1	CN16PD	Conn.M.C.S. Dritto 16P alette	CNTMCS16A
31	2	J1, J2	JSMO	Pad SMD a saldare	
32	2	L1, L2	0.22uH	Induttanza SMD 3225 (1210)	IMP220NS120
33	1	L4	IND	Bobina avvolta in aria	BOB01020121B
34	3	L7	IND	Bobina avvolta in aria	BOB01020054A
35	1	L5	NC	Induttanza SMD 3225 (1210)	
36	1	L6	82nH	Induttanza SMD 3225 (1210)	IMP82NS120
37	1	L8	33nH	Induttanza SMD 3225 (1210)	IMP33NS120
38	1	MOS1	MRFE6S9060NR1		TRNMRFE6S9060NR1
39	1	Q1	BDX53	Trans. NPN TO220	TRNBDX53
40	1	Q2	BCP51	Trans. PNP SOT223	TRNBCP51
41	1	Q3	BC847	Trans. NPN SOT23	TRNBC847
42	1	Q4	BFG35	Trans. NPN SOT223	TRNBFG35
43	1	RV1	1K	Trimmer Rg H 3269W SMD	RVT3269WK001
44	1	R35	220pF	Cond. SMD 0805	CCC085221JCC
45	3	R2, R6, R14	4K7	Res. SMD 0805 1%	RCH085F004K7
46	1	R3	22K	Res. SMD 0805 1%	RCH085F0022K
47	3	R4, R5, R19	2K2	Res. SMD 0805 1%	RCH085F002K2
48	1	R7	1M	Res. SMD 0805 1%	RCH085F0001M
49	1	R8	0H 2512	Res. SMD 2512 1%	RCH252J0000H
50	6	R9, R10, R12, R20, R22, R29	10H	Res. SMD 0805 1%	RCH085F0010H
51	1	R1, R11	1K0	Res. SMD 0805	RCH085F0001K
52	1	R13	47K	Res. SMD 0805	RCH085F0047K
53	4	R15, R16, R17, R18	NC	Res. SMD 0805 1%	
54	1	R21	47H0	Res. SMD 0805	RCH085F0047H
55	3	R23, R25, R26	6H8	Res. SMD 0805	RCH085F006H8
56	2	R24, R36	150H	Res. SMD 0805 1%	RCH085F0150H
57	2	R27, R28	8H2	Res. SMD 0805	RCH085F008H2
58	2	R30, R31	22H	Res. SMD 0805 1%	RCH085F0022H
59	1	R32	100H	Res. SMD 0805 1%	RCH085F0100H
60	2	R33, R34	4H7	Res. SMD 0805	RCH085F004H7
61	1				

SLSPLPJ1KC1



Nome Progetto: TEX1000		Pagina: 1 di 1		Size: A4
Autore: Ufficio Tecnico		Data: 09/09/03		Codice Progetto: 010
Nome PC in Rete: \\\UT_SRV\PROGETTI		Revisione: 1.0		Nome Part: SCHEDA SPLITTER COMPONENT LAYOUT
File/Cartella: MANUAL\TEX1000\SLSPJ1KC1\SPLITTER.DWG		Autorizzazione:		Codice: SLSPJ1KC1
Scala: /	Materiale: /	Trattamento: /		Profilo: /

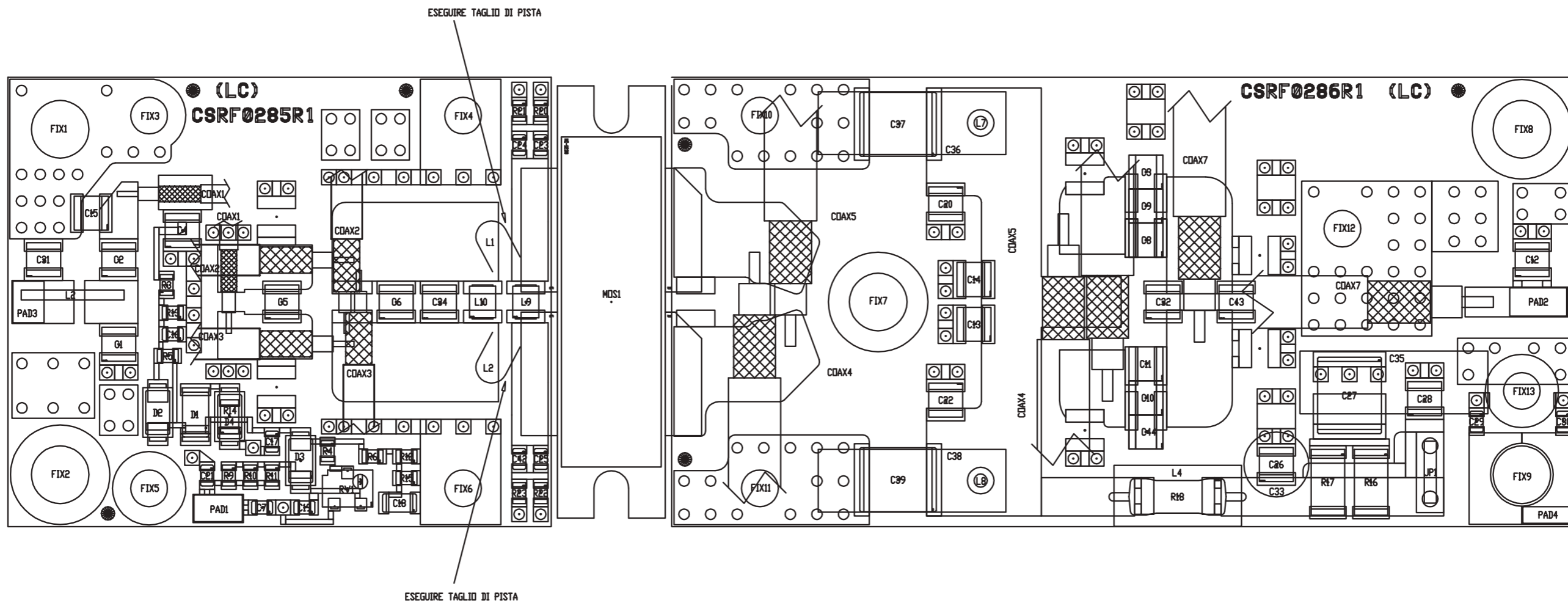


Nome Progetto: TEX1000		Pagina: 1 di 1		Size: A4
Autore: Ufficio Tecnico		Data: 09/09/03		Codice Progetto: 010
Nome PC in Rete: \\\UT_SRV\PROGETTI		Revisione: 1.0		Nome Part: SCHEDA SPLITTER
File/Cartella: MANUAL\TEX1000\SLSPJ1KC1\SPLITTER.DWG		Autorizzazione:		Codice: SLSPJ1KC1

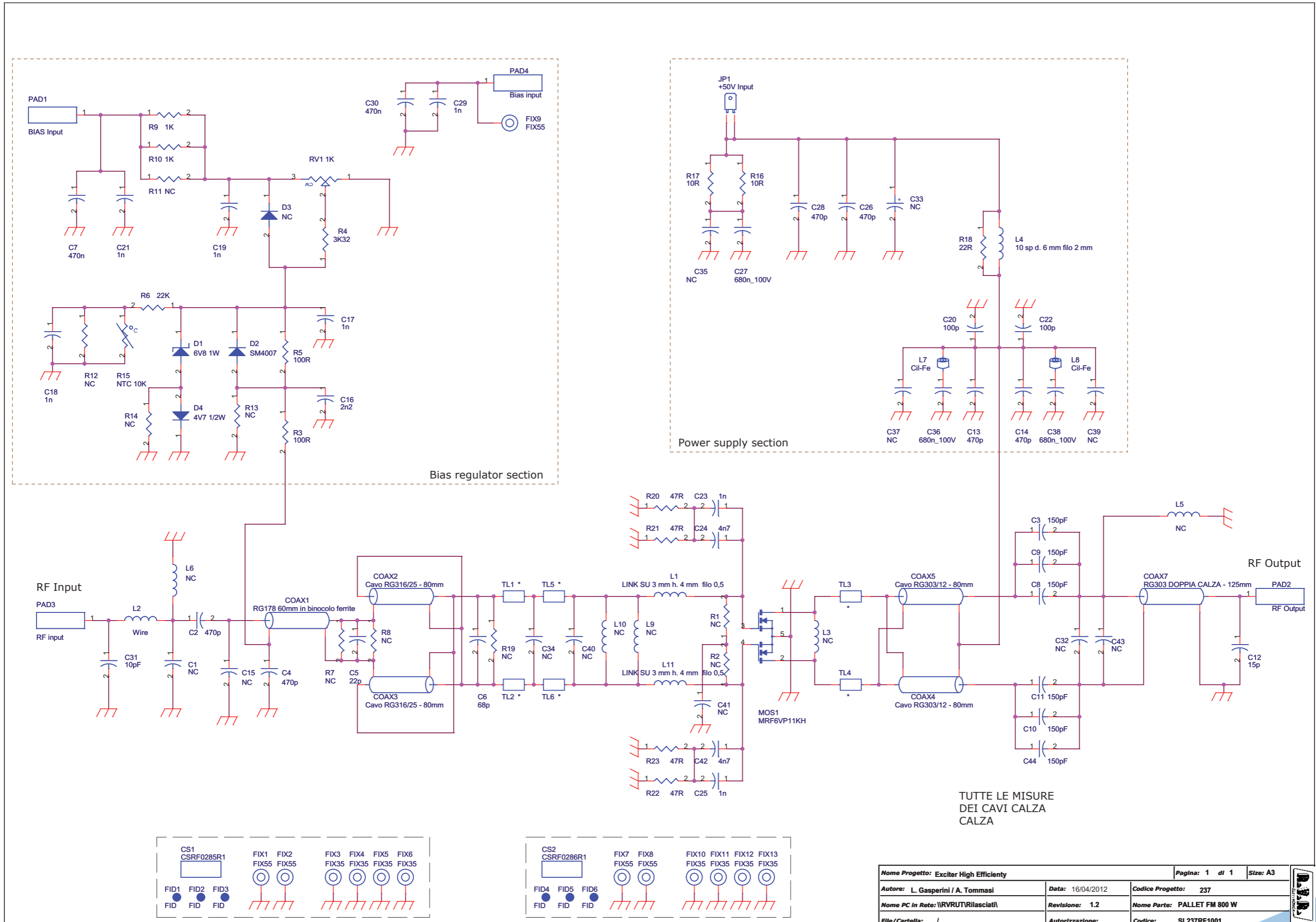
SLSPJPJ1KC1

SCHEDA SPLITTER Revised: Monday, September 15, 2003  
 SLSPJPJ1KC1 Revision: 1.0  
 TEX1000

Item	Quantity	Reference	Part
1	1	PAD1	PALLET1
2	1	PAD2	PALLET2
3	1	PAD3	PALLET3
4	1	PAD4	PALLET4
5	1	PAD5	DRIVER
6	6	R1, R2, R3, R4, R5, R6	330H
7	1	R7	100H_CADDOCK
8	6	TL1, TL2, TL3, TL4, TL5, TL6	70,7H



SL237RF1001



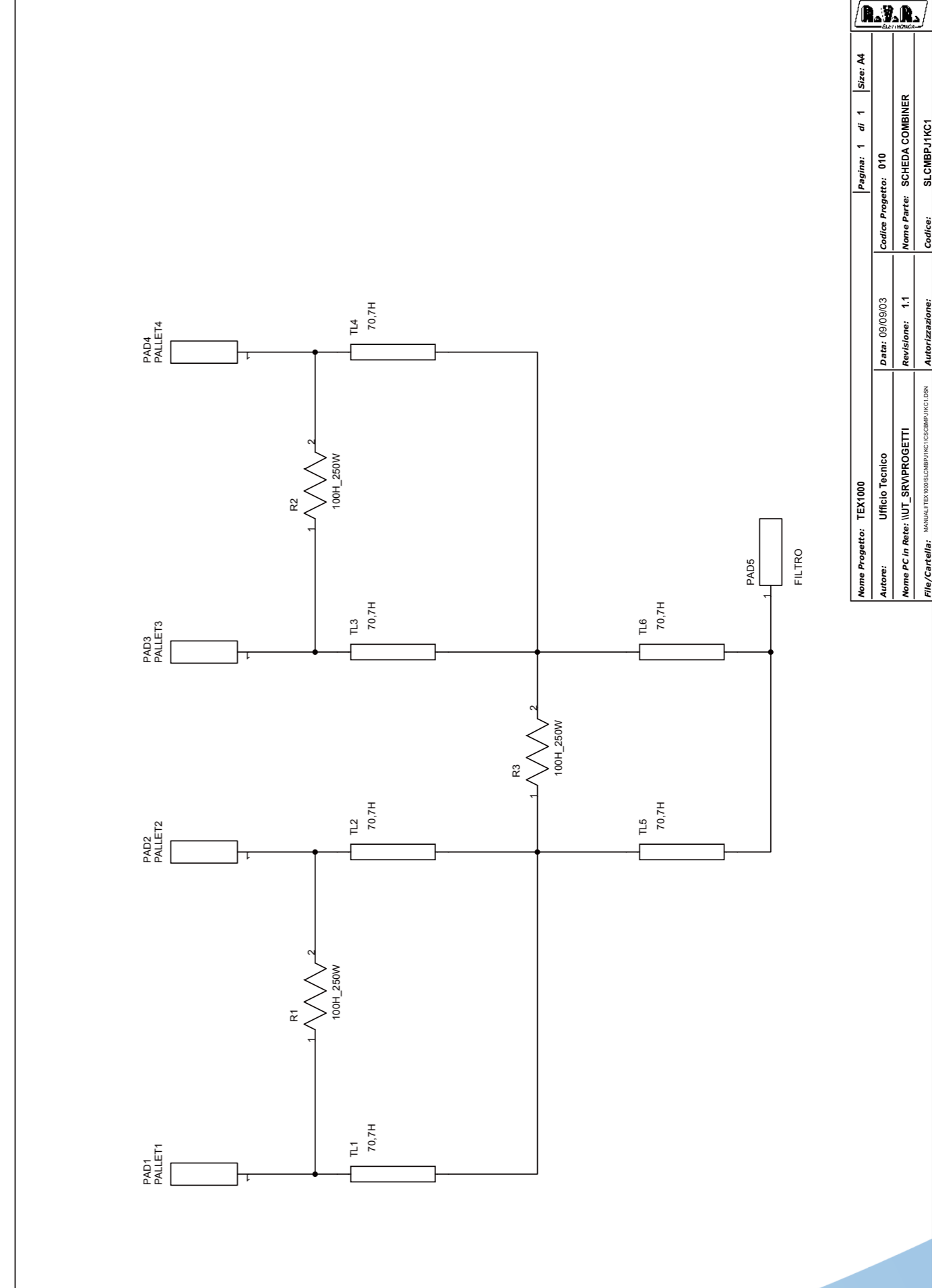
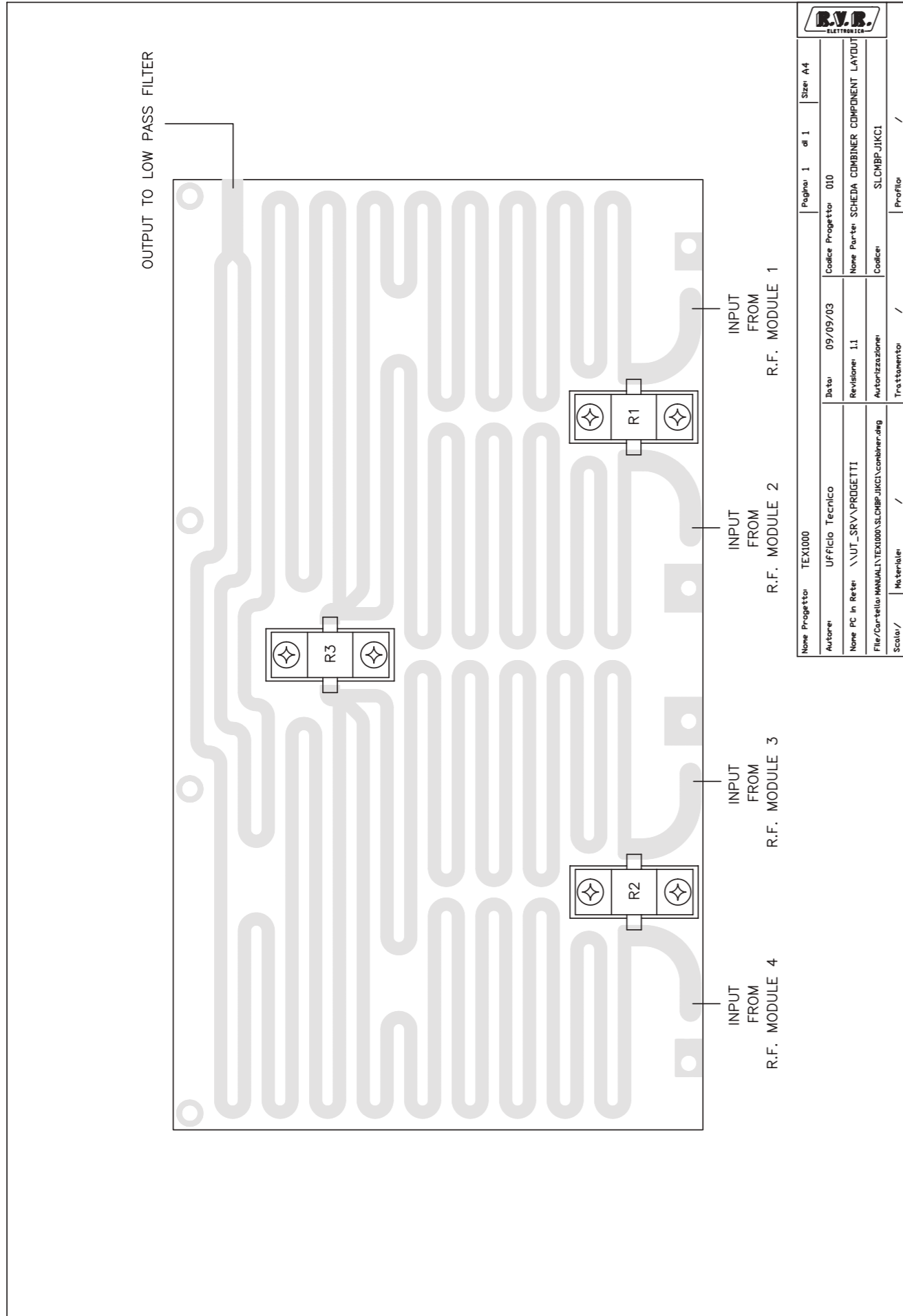
Nome Progetto: Exciter High Efficiently		Pagina: 1 di 1		Size: A3
Autore: L. Gasperini / A. Tommasi	Data: 16/04/2012	Codice Progetto: 237		
Nome PC in Rete: \RVRUT\Rilasciatl	Revisione: 1.2	Nome Parte: PALLET FM 800 W		
File/Cartella: /	Autorizzazione:	Codice: SL237RF1001		

SL237RF1001

PALLET FM 800 W Revised: 16/04/2012  
 SL237RF1001 Revision: 1.2  
 Exciter High Efficiency  
 237  
 L. Gasperini / A. Tommasi

Item	Quantity	Reference	Part	(description)
1	1	COAX1	RG178 60mm in binocolo ferrite	Cavo RG178 60mm calza/calza in binocolo ferrite (73mm tot.)
2	2	COAX2, COAX3	Cavo RG316/25 - 80mm	Cavo RG316/25 80mm calza/calza (91mm tot.)
3	2	COAX5, COAX4	Cavo RG303/12 - 80mm	Cavo RG303/12 80mm calza/calza (98mm tot.)
4	1	COAX7	RG142 DOPPIA CALZA - 125mm	Cavo RG142 125mm calza/calza (147mm tot.) Vedi Info COAX7.pdf
5	1	CS1	CSRF0285R1	Circuito stampato
6	1	CS2	CSRF0286R1	Circuito stampato
7	1	C1	NC	Cond. SMD 0805
8	2	C2, C4	470p	Cond. SMD 1212 HQ
9	4	C13, C14, C26, C28	470p	Cond. SMD 1212 HQ
10	1	C30	470n	Cond. SMD 0805
11	1	C5	22p	Cond. SMD 1212 HQ
12	1	C6	68p	Cond. SMD 1212 HQ
13	2	C7	470n	Cond. SMD 0805
14	6	C3, C44, C8, C9, C10, C11	150pF	Cond. SMD 1212 HQ
15	1	C12	15p	Cond. SMD 1212 HQ
16	5	C15, C32, C34, C40, C43	NC	Cond. SMD 1212 HQ
17	1	C16	2n2	Cond. SMD 0805 COG
18	5	C17, C19, C21, C23, C25	1n	Cond. SMD 0805
19	1	C18	1n	Cond. SMD 1206
20	2	C22, C20	100p	Cond. SMD 1212 HQ
21	2	C42, C24	4n7	Cond. SMD 0805
22	1	C27	680nF 100V	Cond. SMD 2824
23	1	C31	10pF	Cond. SMD 1212 HQ
24	1	C29	1n	Cond. SMD 0805
25	3	C36, C38	680n_100V	Cond. Poliestere p 10mm
26	2	C37, C39	NC	Cond. Poliestere p 15mm
27	1	C41	NC	Cond. multistrato p 5mm
28	1	D1	6V8 1W	MELF SMD Zener Diode
29	1	D2	SM4007	Diode SMD cont. SMA
30	1	D3	NC	Diode SMD cont. SMA
31	1	D4	4V7 1/2W	MELF SMD Zener Diode
32	6	FID1, FID2, FID3, FID4, FID5, FID6	FID	Fiducial CS
33	5	FIX1, FIX2, FIX7, FIX8, FIX9	FIX55	Foro fissaggio 5.5mm
34	8	FIX3, FIX4, FIX5, FIX6, FIX10, FIX11, FIX12, FIX13	FIX35	Foro fissaggio 3.5mm
35	1	JP1	+50V Input	Faston da CS p. 5.08
36	2	L11, L1	LINK SU 3 mm h. 4 mm filo 0,5	LINK su 3 mm h. 4 mm filo 0,5
37	1	L2	Wire	Filo R. Arg. 1mm lung. 10mm
38	1	L3	NC	
39	1	L4	10 sp d. 6 mm filo 2 mm	10spire filo R. Small. 2mm Avvolte su 6mm includente R18 all'interno
40	2	L5, L9	NC	
41	1	L6	NC	
42	2	L7, L8	Cil-Fe	Cilindretto di ferrite
43	1	L10	NC	Ind. SMD 1008
44	1	MOS1	MRF6VP11KH	PP Power mosfet RF
45	2	PAD4, PAD1	BIAS Input	
46	1	PAD2	RF Output	
47	1	PAD3	RF Input	
48	1	RV1	1K	Trimm. multi SMD PVG5 Murata
49	5	R1, R2, R7, R8, R19	NC	Res. 2W
50	2	R3, R5	100R	Res. SMD 0805 1%
51	1	R4	3K32	Res. SMD 0805 1%
52	1	R6	22K	Res. SMD 0805 1%
53	2	R10, R9	1K	Res. SMD 0805 1%
54	3	R11, R12, R13	NC	Res. SMD 0805 1%
55	1	R14	NC	Res. SMD 1206 1%
56	1	R15	NTC 10K	Res. NTC SMD 0805
57	2	R17, R16	10R	Res. SMD 2512 5%
58	1	R18	22R	Res. 2W
59	4	R20, R21, R22, R23	47R	Res. SMD 0805 1%
60	6	TL1, TL2, TL3, TL4, TL5, TL6	*	Linea strip CS
61	1		Ferrite balun	Ferrite balun

SLCMBPJ1KC1



SLCMBPJ1KC1

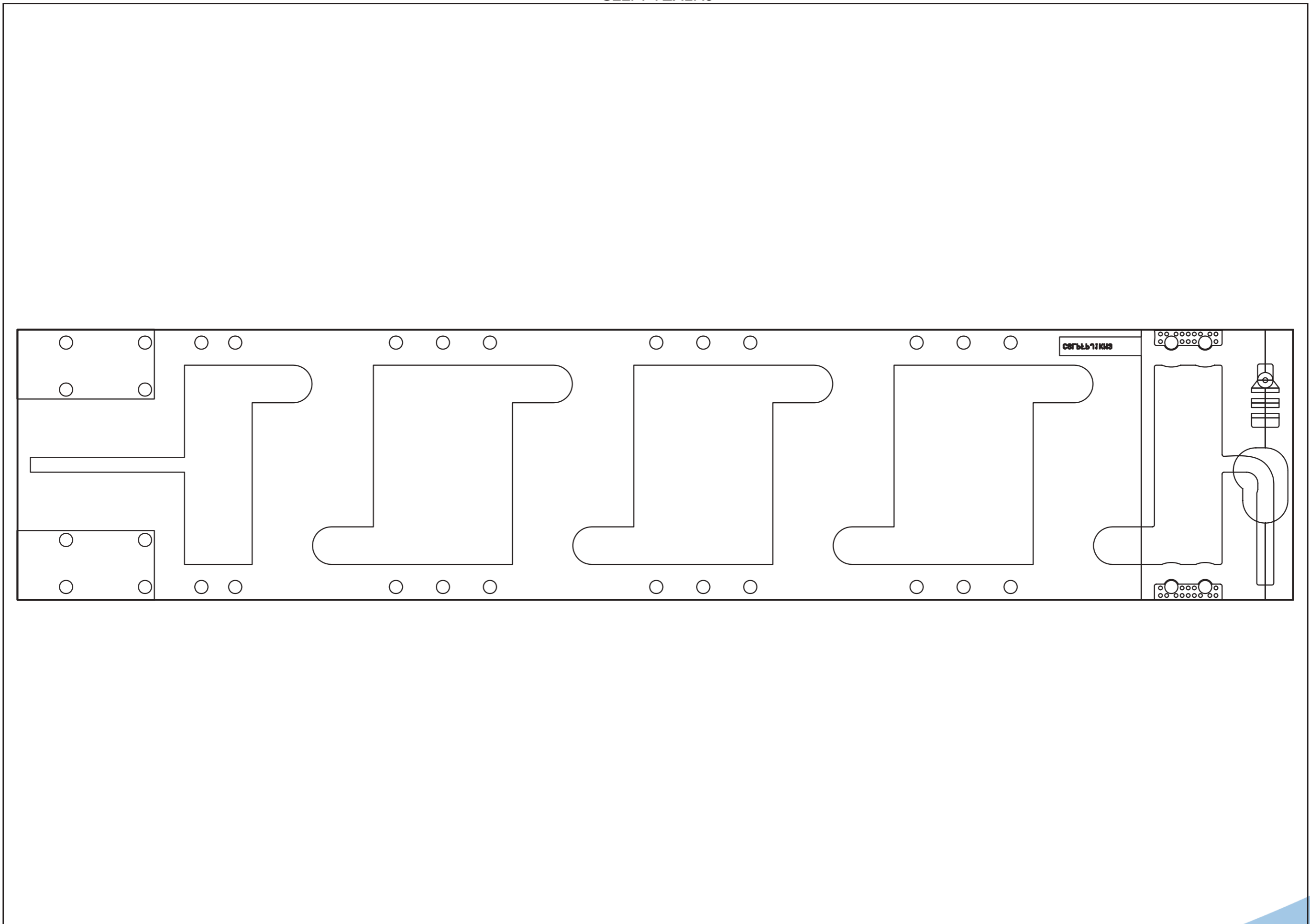
SCHEDA COMBINER Date: Monday, September 15, 2003  
 SLCMBPJ1KC1 Revision: 1.1  
 TEX1000

Ufficio Tecnico

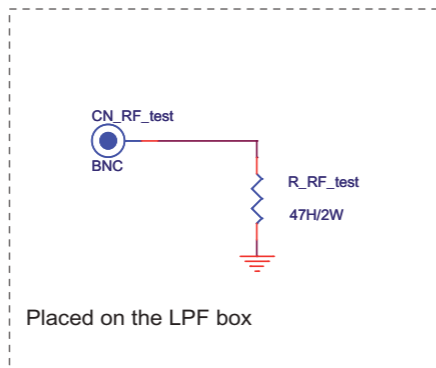
Item	Quantity	Reference	Part
1	1	PAD1	PALLET1
2	1	PAD2	PALLET2
3	1	PAD3	PALLET3
4	1	PAD4	PALLET4
5	1	PAD5	FILTRO
6	3	R1, R2, R3	100H_250W
7	6	TL1, TL2, TL3, TL4, TL5, TL6	70,7H



SLLPFTEX2K5



SLLPFTEX2K5

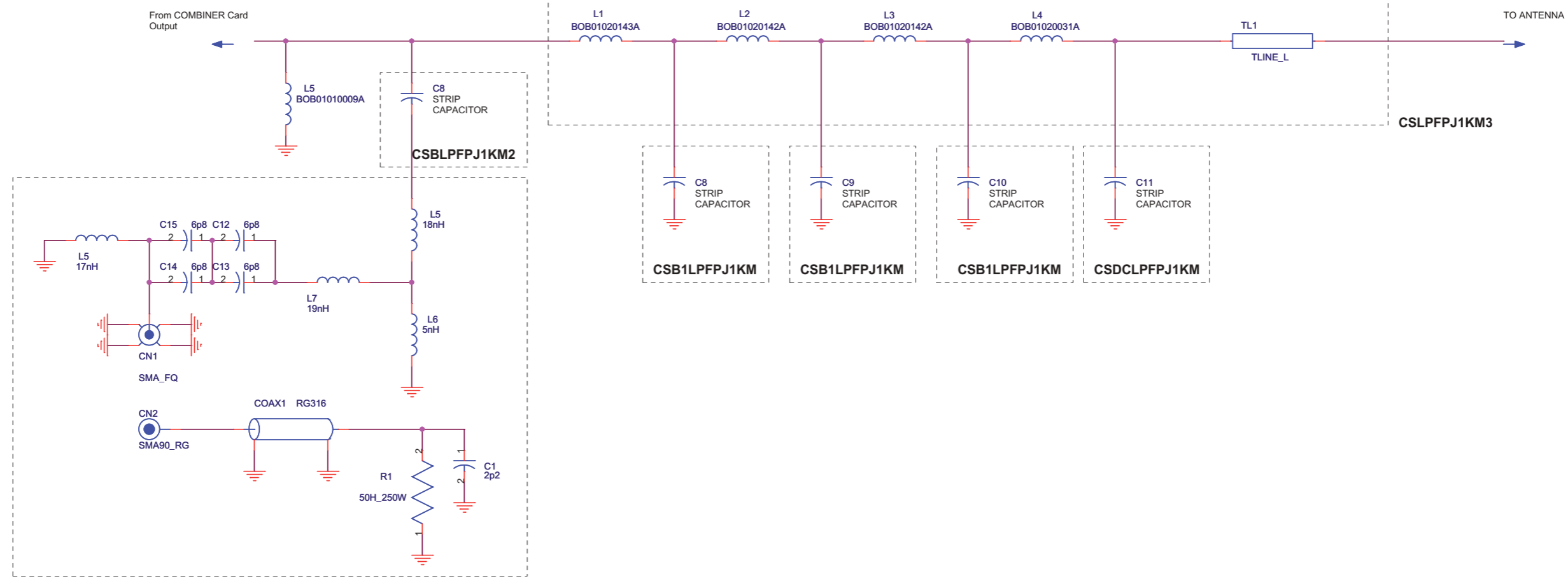


2 SPIRE  
AVVOLTA SU  
DIAM.  
18MM  
DISTANZA TRA  
LE SPIRE 5 mm

2 SPIRE  
AVVOLTA SU  
DIAM.  
21MM  
DISTANZA TRA  
LE SPIRE 5mm

2 SPIRE  
AVVOLTA SU  
DIAM.  
21MM  
DISTANZA TRA  
LE SPIRE 5mm

2 SPIRE  
AVVOLTA SU  
DIAM.  
19MM  
DISTANZA TRA  
LE SPIRE 7mm



Nome Progetto: TEX2500		Pagina: 1 di 1	Size: A3
Autore: Ufficio Tecnico	Data: 26-03-2012	Codice Progetto: 237	
Nome PC in Rete: \\Rvrut\Rilasciatl	Revisione: 1.1	Nome Parte: Scheda Filtro FM Green Line	
File/Cartella: SLLPFTEX2K5.DSN	Autorizzazione:	Codice: SLLPFTEX2K5	

SLLPFTEX2K5

Scheda Filtro FM Green Line Revised: 26/03/2012

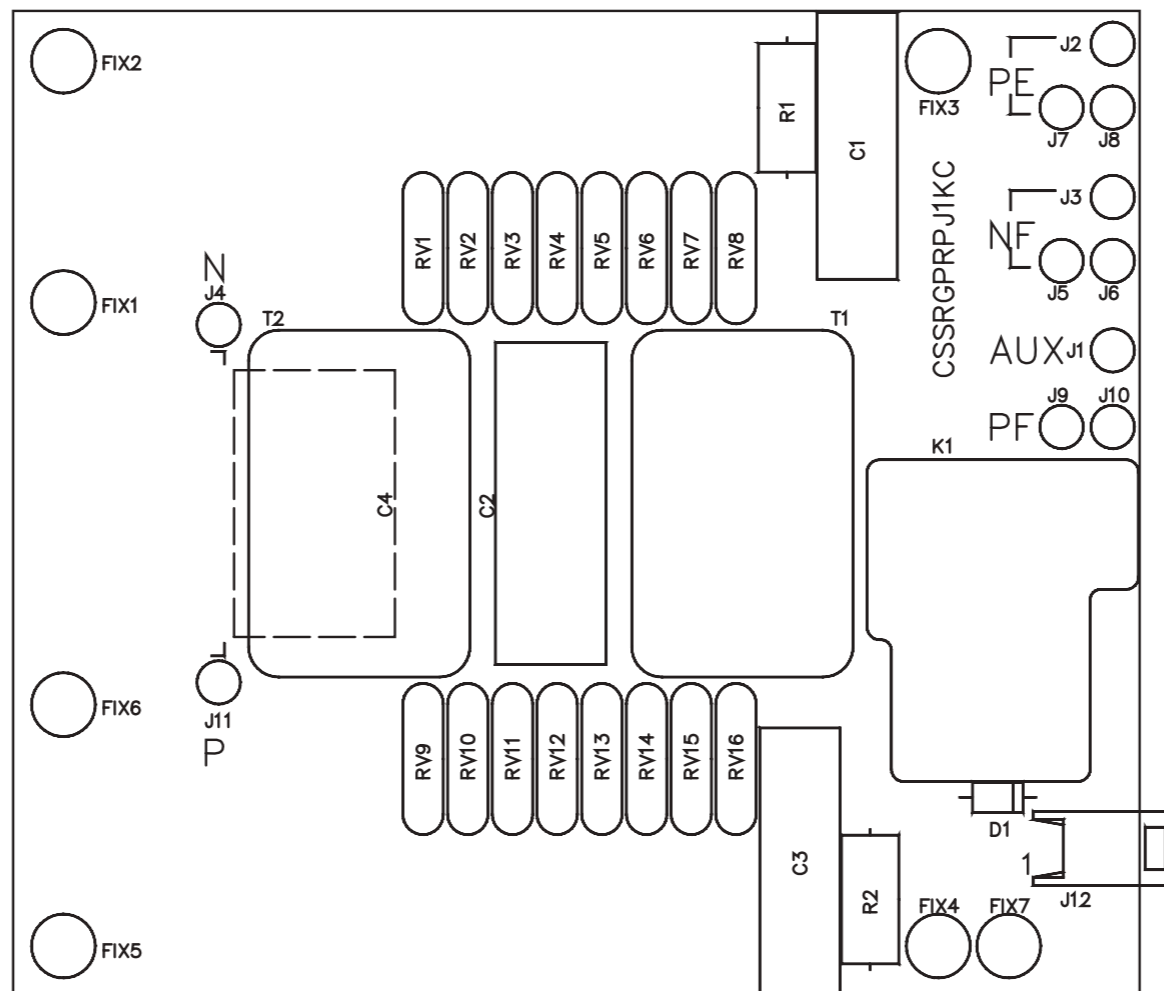
SLLPFTEX2K5 Revision: 1.1

TEX2500

237

Ufficio Tecnico

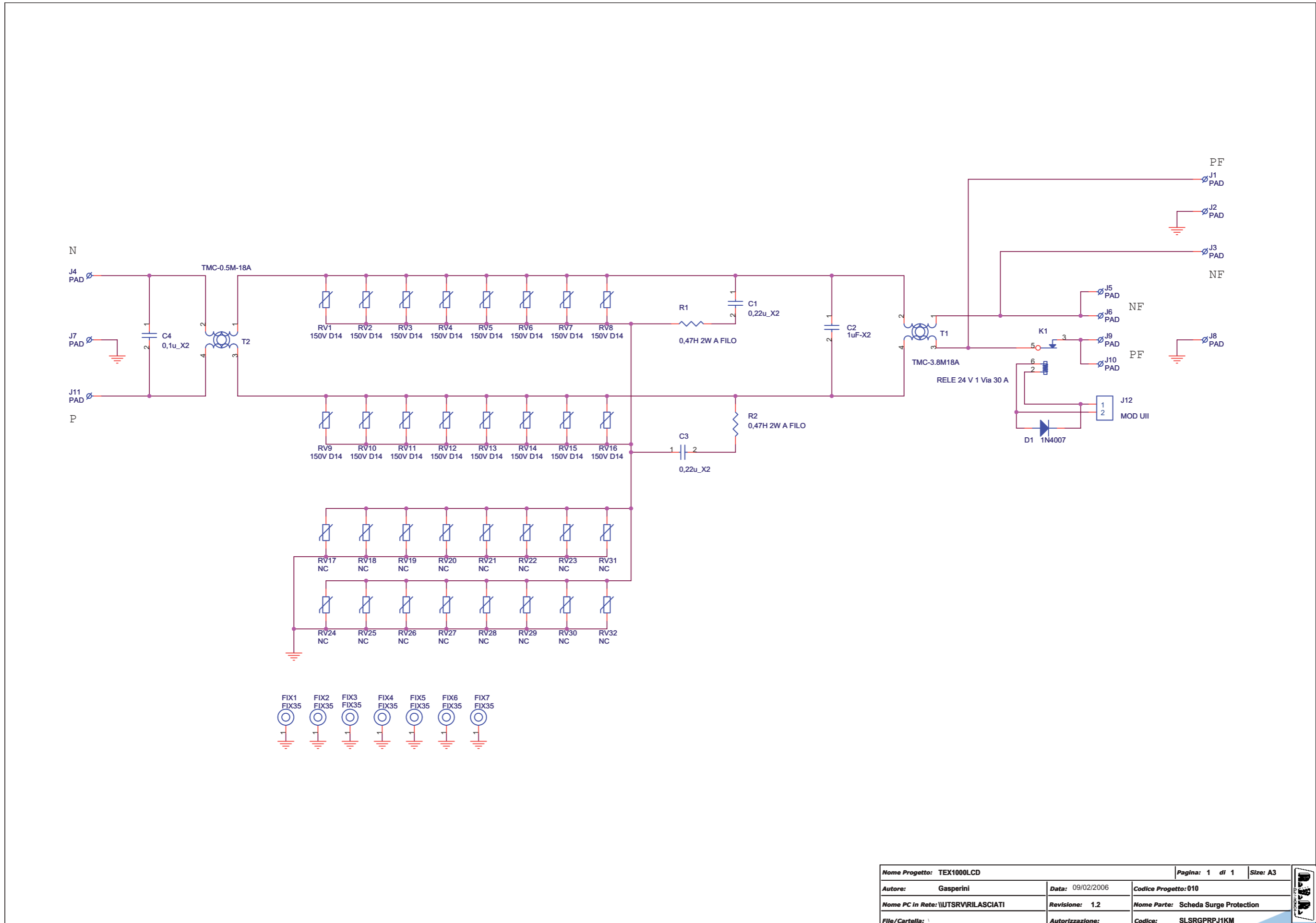
Item	Quantity	Reference	Part	Description
1	1	L5	BOB01010009A	
2	1	L5	18nH	
3	1	L5	17nH	
4	1	CN_RF_test	BNC	
5	1	CN1	SMA_FQ	
6	1	CN2	SMA90_RG	
7	1	COAX1	RG316	
8	1	C1	2p2	
9	3	C8, C9, C10	54pFTFL	
10	1	C11	27pFTFL	
11	4	C12, C13, C14, C15	6p8	
12	1	L1	BOB01020143A	
13	1	L2	BOB01020142A	
14	1	L3	BOB01020142A	
15	1	L4	BOB01020031A	
16	1	L6	5nH	
17	1	L7	19nH	
18	1	R_RF_test	47H/2W	
19	1	R1	50H_250W	
20	1	TL1	TLINE_L	



Nome Progetto: TEX1000		Pagina: 1 di 1	Size: A4
Autore: Ufficio Tecnico		Data: 22/11/2005	Codice Progetto: 010
Nome PC in Rete: \\UTSRV\PROGETTI		Revisione: 1.2	Nome Parte: Surge Protection Component Layout
File/Cartella: \		Autorizzazione:	Codice: SLSRGPRPJ1KM
Scala: /	Materiale: /	Trattamento: /	Profilo: /



**SLSRGPRPJ1KM**



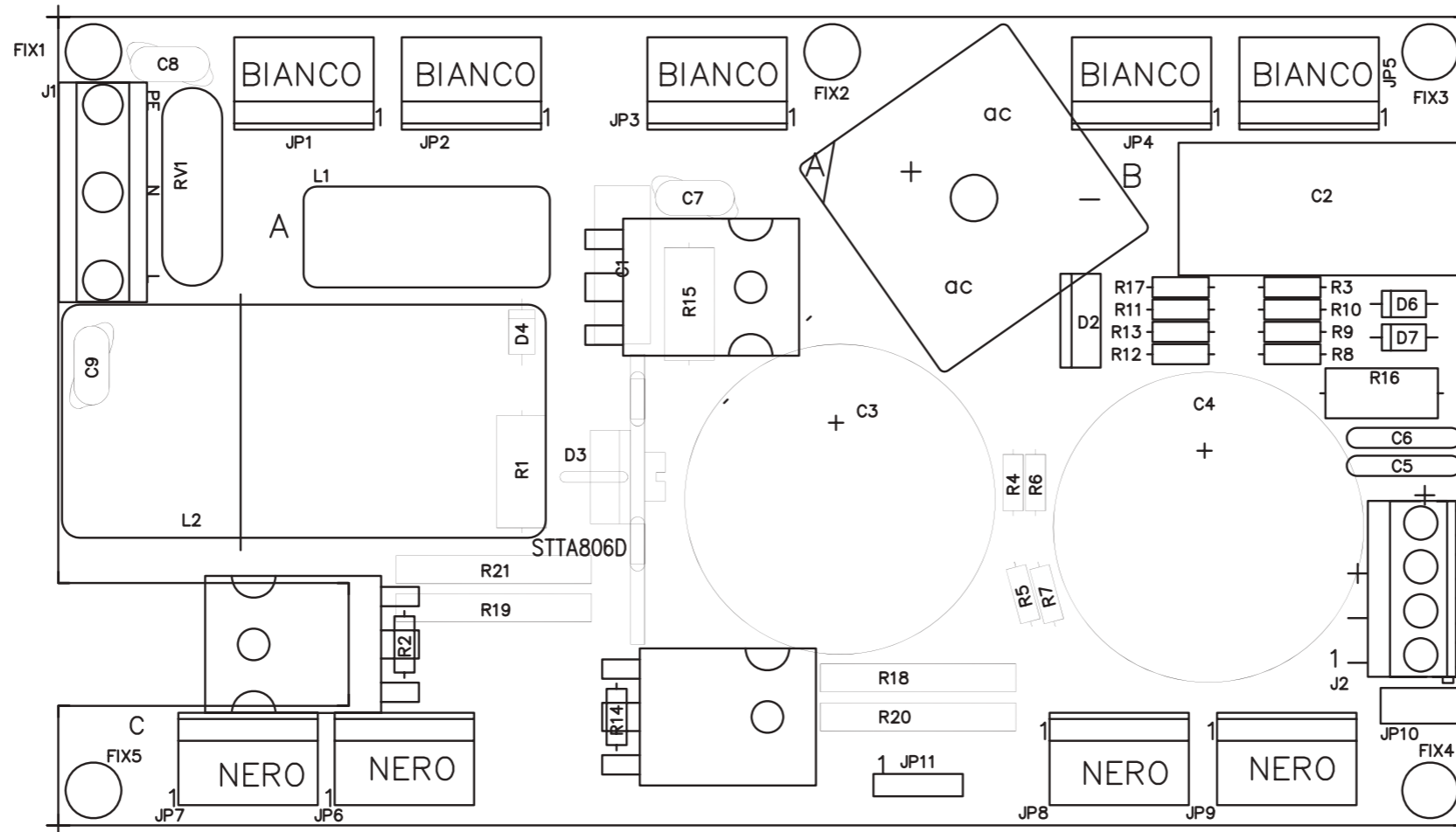
Nome Progetto: TEX1000LCD		Pagina: 1 di 1	Size: A3
Autore: Gasperini	Data: 09/02/2006	Codice Progetto: 010	
Nome PC In Rete: \UTSRV\RILASCIATI	Revisione: 1.2	Nome Parte: Scheda Surge Protection	
File/Cartella: \	Autorizzazione:	Codice: SLSRGPRPJ1KM	

SLSRGPRPJ1KM

Scheda Surge Protection Revised: 09/02/2006  
 SLSRGPRPJ1KM Revision: 1.2  
 TEX1000

Item	Quantity	Reference	Part
1	2	C1, C3	0,22u_X2
2	1	C2	1uF-X2
3	1	C4	0,1u_X2
4	1	D1	1N4007
5	7	FIX1, FIX2, FIX3, FIX4, FIX5, FIX6, FIX7	FIX35
6	11	J1, J2, J3, J4, J5, J6, J7, J8, J9, J10, J11	PAD
7	1	J12	MOD UII
8	1	K1	RELE 24 V 1 Via 30 A
9	16	RV1, RV2, RV3, RV4, RV5, RV6, RV7, RV8, RV9, RV10, RV11, RV12, RV13, RV14, RV15, RV16	150V D14
10	2	R2, R1	0,47H 2W A FILO
11	1	T1	TMC-3.8M18A
12	1	T2	TMC-0.5M-18A

FFCPSL5060



Nome Progetto: TEX2000LCD		Pagina: 1 di 1		Size: A4
Autore: Ufficio Tecnico		Data: 23/06/2008	Codice Progetto: 176	
Nome PC in Rete: \\UT_SRV\PROGETTI		Revisione: 1.0	Nome Parte: PFC POWER COMPONENT LAYOUT	
File/Cartella: \_2_Schede\FFCPSL5060\PFC1000PW_5060.dwg		Autorizzazione:	Codice: FFCPSL5060	
Scala: /	Materiale: /	Trattamento: /	Profilo: /	







PFCPSL5060

PFC POWER Revised: Monday, October 06, 2008

PFCPSL5060 Revision: 1.0

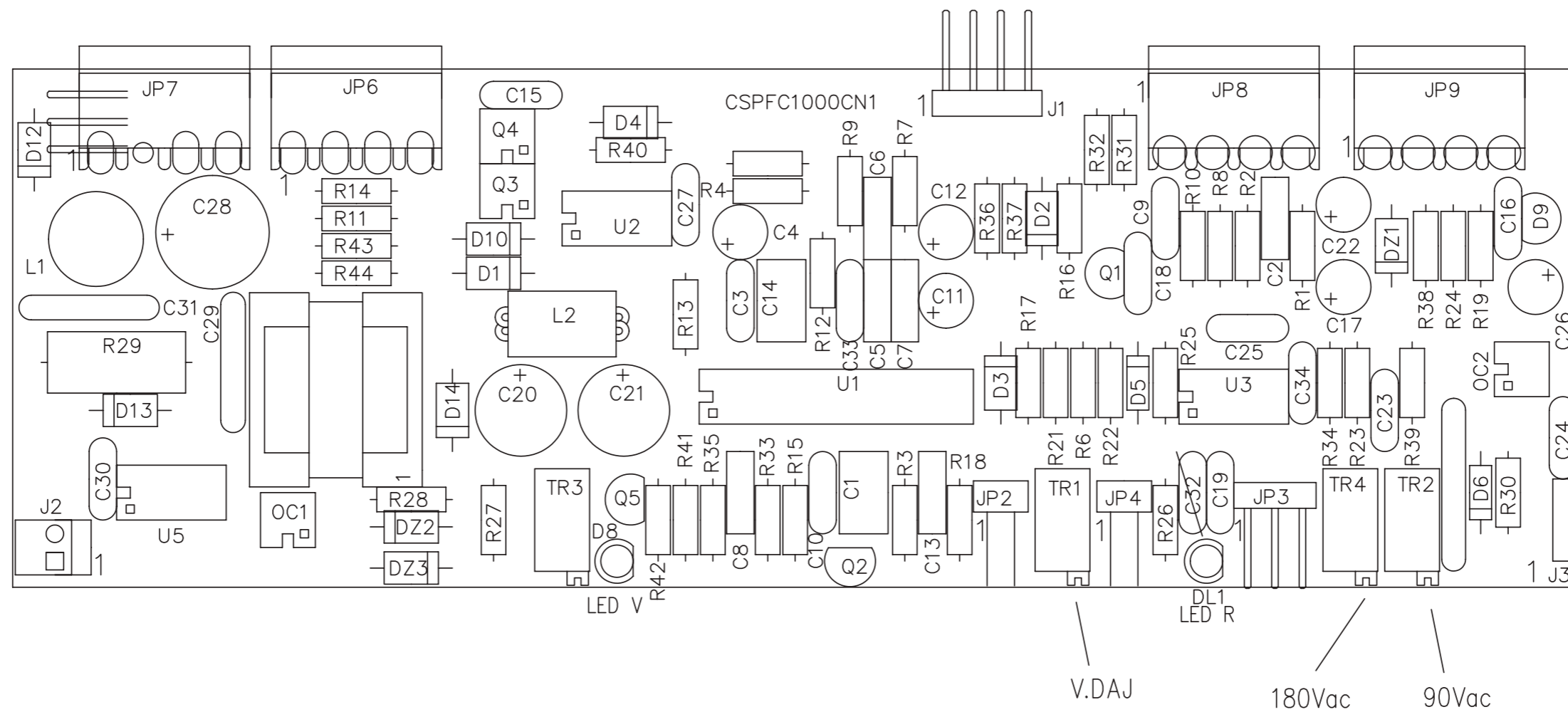
TEX2000LCD

176

Ufficio Tecnico

Item	Quantity	Reference	Part
1	1	C1	MKP 0.047uF 400
2	1	C2	MKP2.2uF/400
3	2	C3, C4	470uF-400
4	2	C5, C6	10nF-1KV
5	1	C7	100pF-1kV
6	2	C8, C9	2.2nF-1kV
7	1	D1	HFA50PAC
8	1	D2	20ETS08
9	1	D3	STTA806D
10	1	D4	UF4006
11	1	D5	GBPC2508W
12	2	D6, D7	1N4007
13	3	JP1, JP2, JP3	MOLEX4
14	5	JP4, JP5, JP6, JP7, JP8	MOLEX 4
15	1	JP9	MOLE4
16	1	JP10	PIAZZOLE
17	1	JP11	STRIP4
18	1	J1	KRAN3
19	1	J2	KRA4
20	1	L1	T94-2 6uH
21	1	L2	0.2mH
22	2	Q1, Q2	FDH50N50
23	1	RV1	S20K320
24	1	R1	5R6-2W
25	2	R2, R14	10K
26	4	R3, R10, R11, R17	1M0
27	8	R4, R5, R6, R7, R8, R9, R12, R13	510K
28	1	R15	100R-2W
29	1	R16	150K-2W
30	4	R18, R19, R20, R21	R01-5W
31	1	S1	TERMICO 90 C

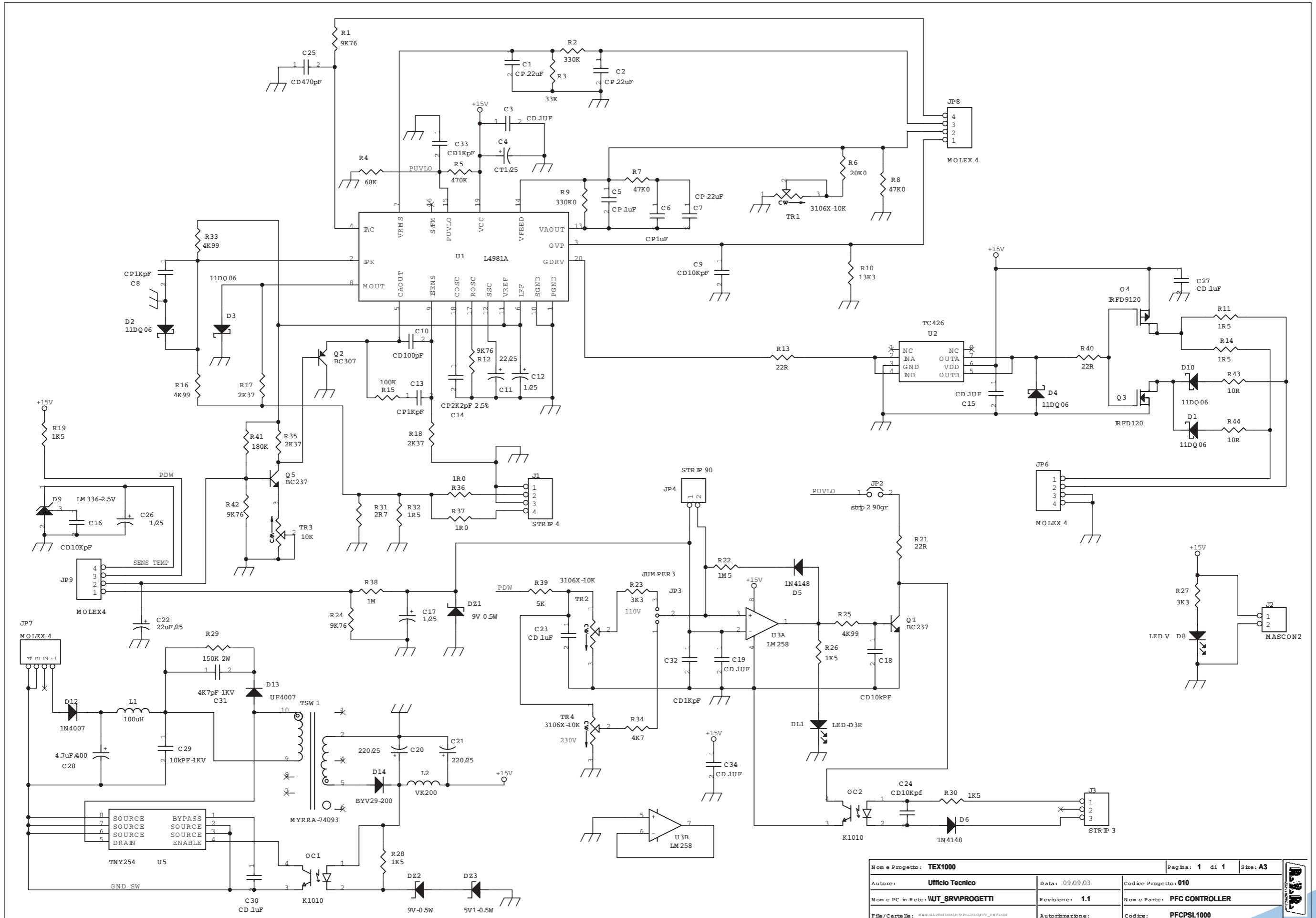
PFCPSL5060



Nome Progetto: TEX1000		Pagina: 1 di 1		Size: A4
Autore: Ufficio Tecnico		Data: 09/09/03	Codice Progetto: 010	
Nome PC in Rete: \\UT_SRV\PROGETTI		Revisione: 1.1	Nome Parte: PFC CONTROLLER COMPONENT LAYOUT	
File/Cartella: MANUAL\TEX1000\PFCPSL1000\PFC1000CNT.dwg		Autorizzazione:	Codice: PFCPSL1000	
Scala: /	Materiale: /	Trattamento: /	Profilo: /	



**PFPCPSL5060**



Nome Progetto: <b>TEX1000</b>	Pagina: <b>1</b> di <b>1</b>	Size: <b>A3</b>
Autore: <b>Ufficio Tecnico</b>	Data: <b>09/09/03</b>	Codice Progetto: <b>010</b>
Nome PC in Rete: <b>\UT_SRVPROGETTI</b>	Revisione: <b>1.1</b>	Nome Parte: <b>PFC CONTROLLER</b>
File/Cartella: <b>MANUALI\TEX1000\PFPCPSL5060\PF_CWT.DSN</b>	Autorizzazione:	Codice: <b>PFPCPSL1000</b>

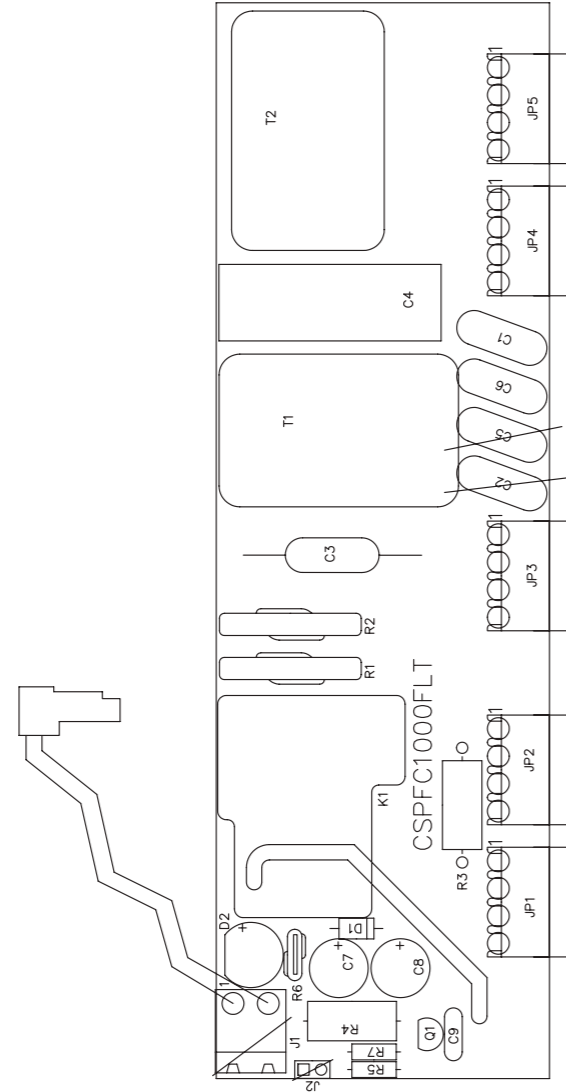
PFCPSL5060

PFC CONTROLLER Revised: Tuesday, September 16, 2003  
 PFCPSL1000 Revision: 1.1  
 TEX1000

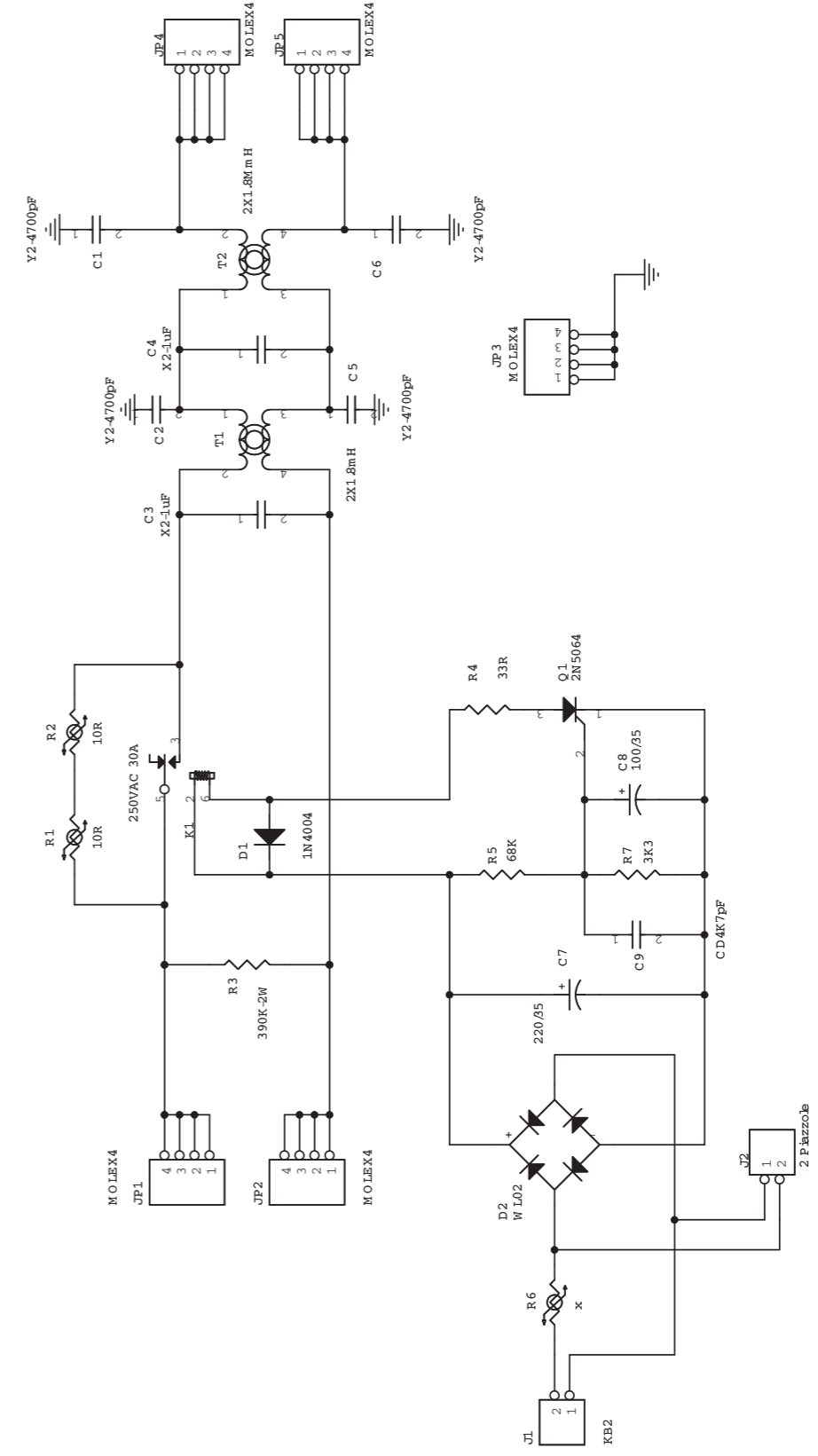
Item	Quantity	Reference	Part
1	3	C1,C2,C7	CP 22uF
2	7	C3,C15,C19,C23,C27,C30,C34	CD 1uF
3	1	C4	CT1/25
4	1	C5	CP 1uF
5	1	C6	CP 1uF
6	2	C8,C13	CP 1KpF
7	4	C9,C16,C18,C24	CD 10Kpf
8	1	C10	CD 100pF
9	1	C11	22/25
10	3	C12,C17,C26	gen-25
11	1	C14	CP 2K2pF-2.5%
12	2	C21,C20	220/25
13	1	C22	22uF/25
14	1	C25	CD 470pF
15	1	C28	4.7uF/400
16	1	C29	10kPF-1KV
17	1	C31	4K7pF-1KV
18	2	C33,C32	CD 1KpF
19	1	DL1	LED-D3R
20	2	DZ1,DZ2	9V-0.5W
21	1	DZ3	5V1-0.5W
22	5	D1,D2,D3,D4,D10	11DQ 06
23	2	D6,D5	1N4148
24	1	D8	LED V
25	1	D9	LM 336-2.5V
26	1	D12	1N4007
27	1	D13	UF4007
28	1	D14	BYV29-200
29	1	JP2	strip 2 90gr
30	1	JP3	JUMPER 3
31	1	JP4	STRIP 90
32	3	JP6,JP7,JP8	MOLEX 4
33	1	JP9	MOLEX4
34	1	J1	STRIP 4
35	1	J2	MASCON2
36	1	J3	STRIP 3
37	1	L1	100uH
38	1	L2	VK200
39	2	OC2,OC1	K1010
40	2	Q1,Q5	BC237
41	1	Q2	BC307
42	1	Q3	IRFD120
43	1	Q4	IRFD9120
44	4	R1,R12,R24,R42	9K76
45	1	R2	330K
46	1	R3	33K
47	1	R4	68K
48	1	R5	470K
49	1	R6	20K0

Item	Quantity	Reference	Part
50	2	R8,R7	47K0
51	1	R9	330K0
52	1	R10	13K3
53	3	R11,R14,R32	1R5
54	3	R13,R21,R40	22R
55	1	R15	100K
56	3	R16,R25,R33	4K99
57	3	R17,R18,R35	2K37
58	4	R19,R26,R28,R30	1K5
59	1	R22	1M5
60	2	R23,R27	3K3
61	1	R29	150K-2W
62	1	R31	2R7
63	1	R34	4K7
64	2	R36,R37	1R0
65	1	R38	1M
66	1	R39	5K
67	1	R41	180K
68	2	R43,R44	10R
69	3	TR1,TR2,TR4	3106X-10K
70	1	TR3	10K
71	1	TSW 1	MYRRA-74093
72	1	U1	L4981A
73	1	U2	TC426
74	1	U3	LM258
75	1	U5	TNY254

**PFPCSL5060**



		Pagina: 1 di 1 Size: A4
Nome Progetto: TEX1000	Data: 09/09/03	Codice Progetto: 010
Autore: Ufficio Tecnico	Revisione: 1.1	Nome Parte: SOFT START E FILTRO EMI
Nome PC in Rete: \\UT_SRV\PROGETTI	Autorizzazione:	Codice: PFPCSL1000
File/Carrello: MANUALE\TEX1000\PFPCSL1000\FLT1000PFC.dwg	Trattamenti: /	Profilo: /
Scaric: /	Materiale: /	/



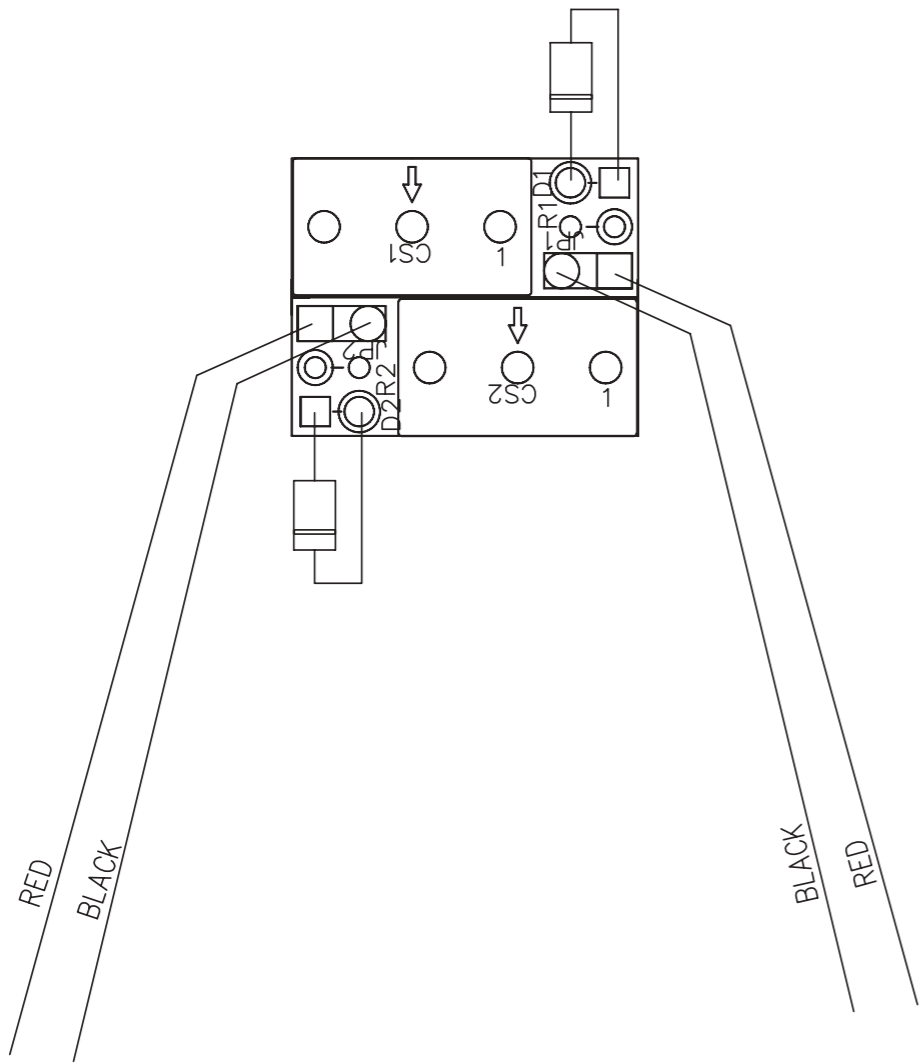
		Pagina: 1 di 1 Size: A4
Nome e Progetto: TEX1000	Data: 09/09/03	Codice Progetto: 010
Autore: Ufficio Tecnico	Revisione: 1.1	Nome e Parte: SOFT START E FILTRO EMI
Nome e PC in Rete: \\UT_SRV\PROGETTI	Autorizzazione:	Codice: PFPCSL1000
File/Carrello: MANUALE\TEX1000\PFPCSL1000\FLT.dwg	Trattamenti: /	Profilo: /
Scaric: /	Materiale: /	/

PFCPSL5060

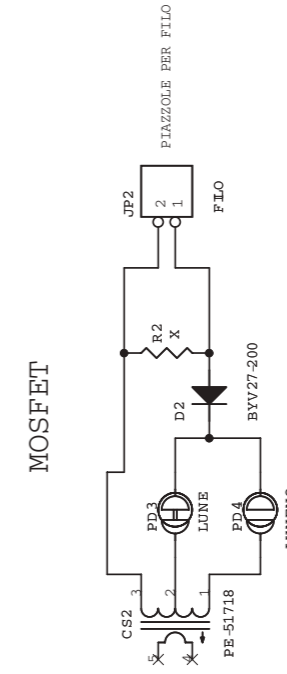
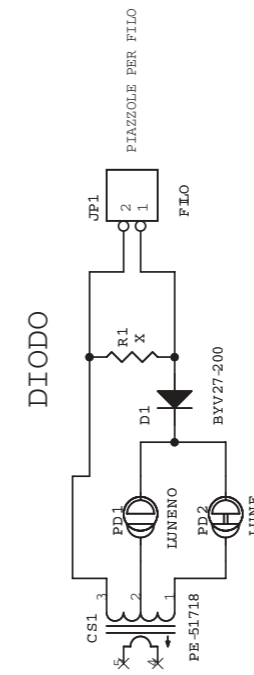
SOFT SART E FILTRO EMI Revised: Tuesday, September 16, 2003  
 PFCPSL1000 Revision: 1.1  
 TEX1000

Item	Quantity	Reference	Part
1	4	C1,C2,C5,C6	Y2-4700pF
2	2	C4,C3	X2-1uF
3	1	C7	220/35
4	1	C8	100/35
5	1	C9	CD4K7pF
6	1	D1	1N4004
7	1	D2	W L02
8	5	JP1,JP2,JP3,JP4,JP5	MOLEX4
9	1	J1	KB2
10	1	J2	2 P azzob
11	1	K1	250VAC 30A
12	1	Q1	2N5064
13	2	R2,R1	10R
14	1	R3	390K-2W
15	1	R4	33R
16	1	R5	68K
17	1	R6	x
18	1	R7	3K3
19	1	T1	2X1.8m H
20	1	T2	2X1.8M m H

PFPCSL5060



		Pagina: 1 di 1 Size: A4
Nome Progetto: TEX1000	Data: 09/09/03	Codice Progetto: 010
Autore: Ufficio Tecnico	Revisione: 1.1	Nome Parte: SENSORE DI CORRENTE PER PFC
Nome PC in Rete: \\UT_SRV\PROGETTI	Autorizzazione:	Codice: PFPCSL1000
File/Cartella: MANUA\TEX1000\PFPCSL1000\PFC_TC2.dwg	Trattamento: /	Profilo: /
Sdai: 2:1	Materiale: /	



		Pagina: 1 di 1 Size: A4
Nome e Progetto: TEX1000	Data: 09/09/03	Codice Progetto: 010
Autore: Ufficio Tecnico	Revisione: 1.1	Nome e Parte: SENSORE DI CORRENTE PER PFC
Nome e PC in Rete: \\UT_SRV\PROGETTI	Autorizzazione:	Codice: PFPCSL1000
File/Caratteristiche: MANUA\TEX1000\PFPCSL1000\PFC_TC2.dwg		

PFCPSL5060

SENSORE DICORRENTE PER PFC Revised: Tuesday, September 16, 2003  
 PFCPSL1000 Revision: 1.1  
 TEX1000

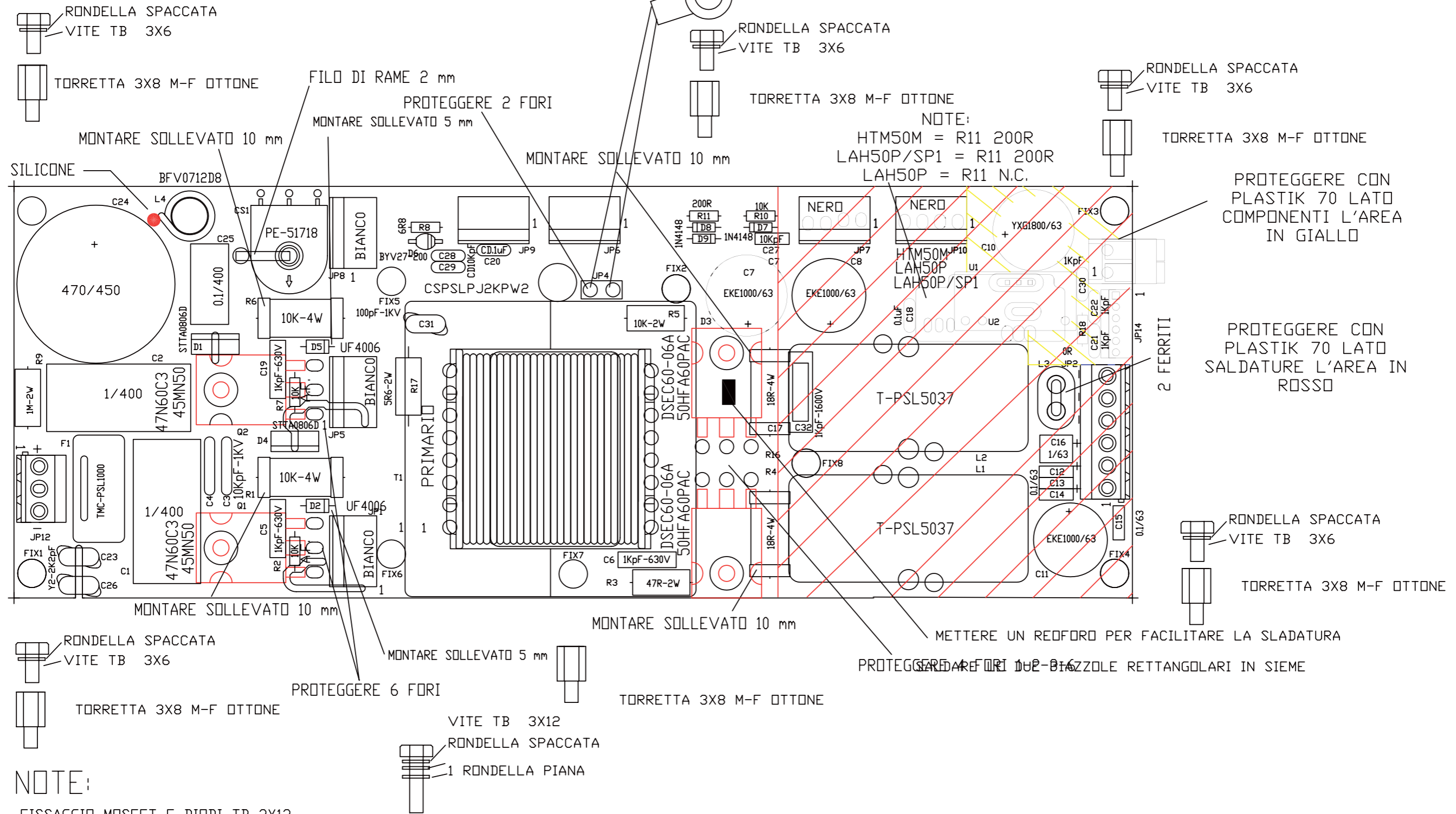
Item	Quantity	Reference	Part
1	2	CS1,CS2	PE-51718
2	2	D2,D1	BYV27-200
3	2	JP1,JP2	FLO
4	2	PD1,PD4	LUNENO
5	2	PD2,PD3	LUNE
6	2	R2,R1	X



PSL5037.2K5

PIANO DI MONTAGGIO PSL5037\_2K5 GREEN LINE

NOTE:  
CPSPL1KCNT/1 = SM4480C  
CPSPL1KCNT/2 = B57703M103G



**NOTE:**

FISSAGGIO MOSFET E DIODI TB 3X12

SOTTO AI MOS E DIODI CON GRASSO 1 MICA SARCON 25GHR

CON SOLO D3 (50HFA60) CHIUDERE CON STAGNO 3-6

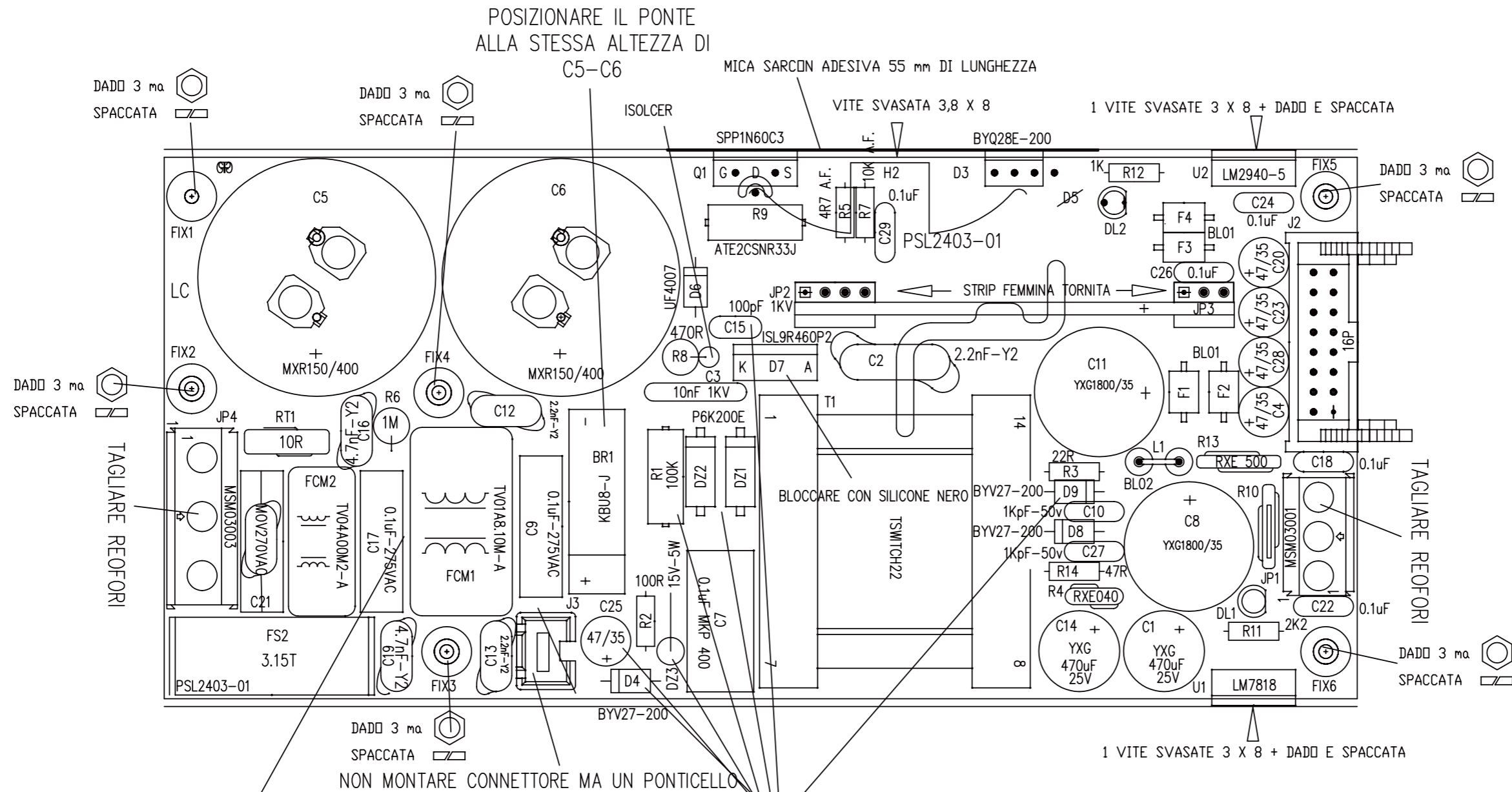
CON PIASTRA ALLUMINIO 5mm INSERIRE 1 RONDELLA SPACCATA SOTTO LE TORRETTE DI FISSAGGIO

ARCHIVIO: X:\WORKDWG\PSL1000	
TITLE: PIANO DI MONTAGGIO SEZIONE POWER PSL5037_2K5 GREEN LINE	
DOCUMENT NUMBER	PSL5037_2K5_R1.DWG
REV	1
DATE:	22 FEBBRAIO 2012



PSL2403-TEX2K

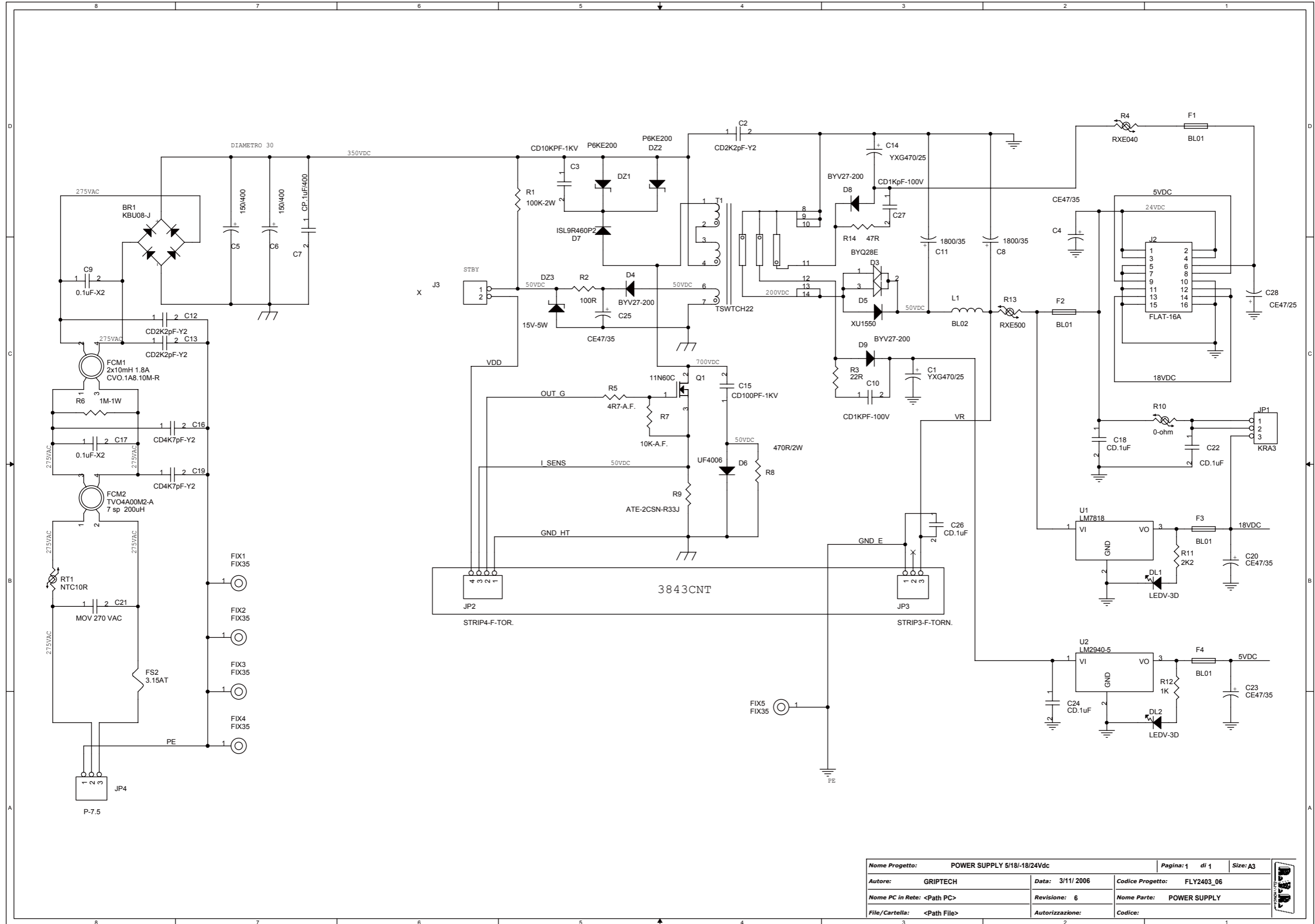
PIANO DI MONTAGGIO PSL2403-06 TEX 2K



!!!! PER I COMPONENTI IN GIALLO VEDI CAMPIONE !!!!

ARCHIVIO: X:\WORKDWG\	
TITLE PIANO DI MONTAGGIO PSL2403 TEX 2K	
DOCUMENT NUMBER PSL2403_06_MNT. DWG	REV 6
DATE: 1 settembre 2008	

PSL2403-TEX2K



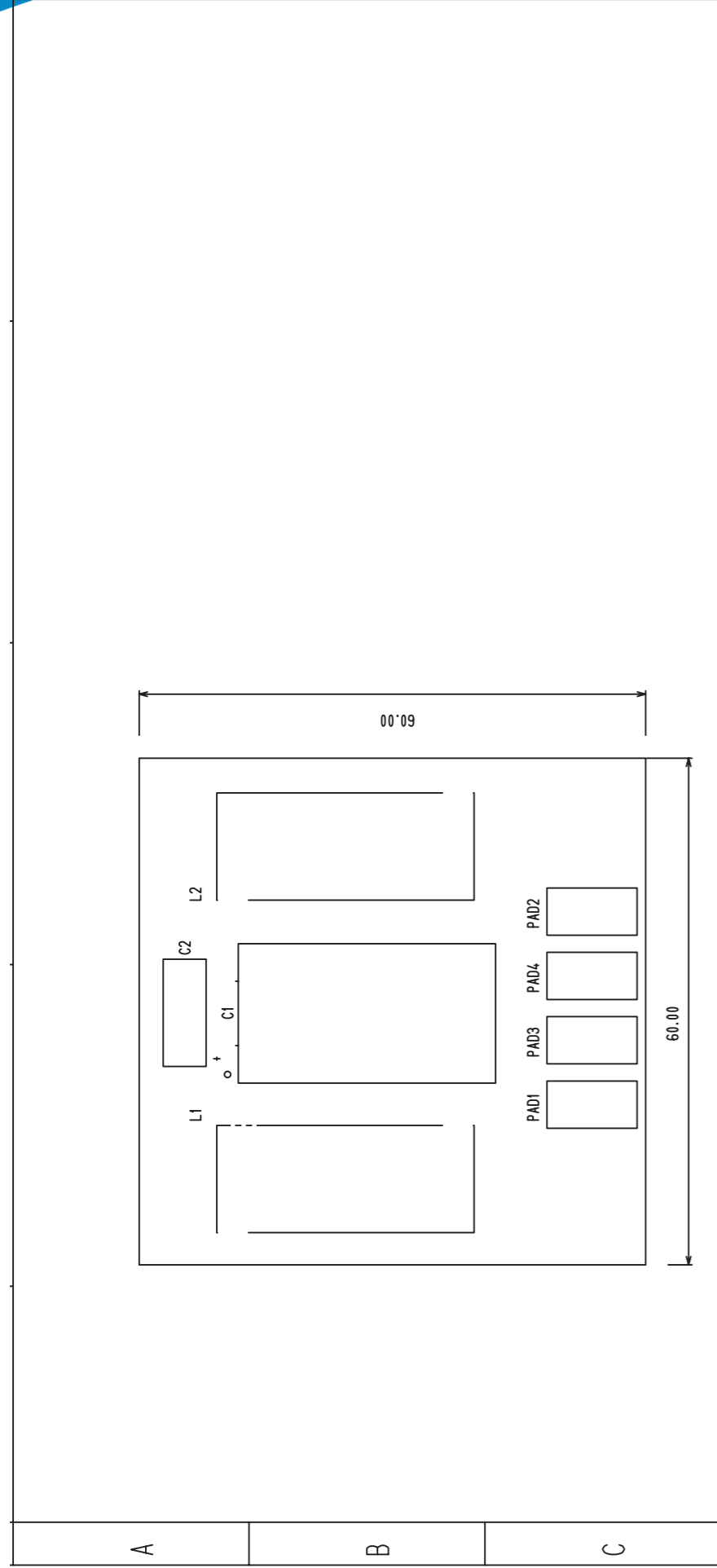
Nome Progetto: POWER SUPPLY 5/18/-18/24Vdc		Pagina: 1 di 1	Size: A3
Autore: GRIPTECH	Data: 3/11/2006	Codice Progetto: FLY2403_06	
Nome PC in Rete: <Path PC>	Revisione: 6	Nome Parte: POWER SUPPLY	
File/Cartella: <Path File>	Autorizzazione:	Codice:	

PSL2403-TEX2K

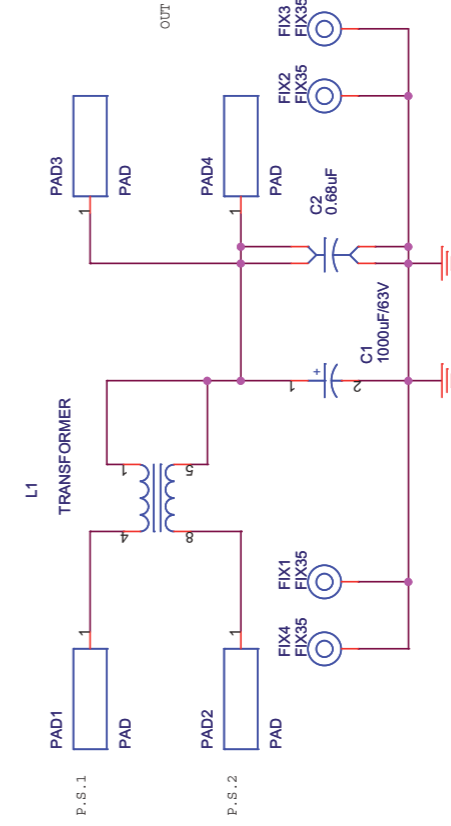
Revised: Thursday, July 24, 2008  
Revision:

Item	Quantity	Reference	Part
1	1	BR1	KBU08-J
2	2	C1, C14	YXG470/25
3	3	C2, C12, C13	CD2K2pF-Y2
4	1	C3	CD10KPF-1KV
5	4	C4, C20, C23, C25	CE47/35
6	2	C5, C6	150/400
7	1	C7	CP.1uF/400
8	2	C8, C11	1800/35
9	2	C9, C17	0.1uF-X2
10	2	C10, C27	CD1KpF-100V
11	1	C15	CD100PF-1KV
12	2	C16, C19	CD4K7pF-Y2
13	4	C18, C22, C24, C26	CD.1uF
14	1	C21	MOV 270 VAC
15	1	C28	CE47/25
16	2	DL1, DL2	LEDV-3D
17	2	DZ1, DZ2	P6KE200
18	1	DZ3	15V-5W
19	1	D3	BYQ28E
20	3	D4, D8, D9	BYV27-200
21	1	D5	XU1550
22	1	D6	UF4006
23	1	D7	ISL9R460P2
24	1	FCM1	CVO.1A8.10M-R
25	1	FCM2	TVO4A00M2-A
26	5	FIX1, FIX2, FIX3, FIX4, FIX5	FIX35
27	1	FS2	3.15AT
28	4	F1, F2, F3, F4	BL01
29	1	JP1	KRA3
30	1	JP2	STRIP4-F-TOR.
31	1	JP3	STRIP3-F-TORN.
32	1	JP4	P-7.5
33	1	J2	FLAT-16A
34	1	J3	X
35	1	L1	BL02
36	1	Q1	11N60C
37	1	RT1	NTC10R
38	1	R1	100K-2W
39	1	R2	100R
40	1	R3	22R
41	1	R4	RXE040
42	1	R5	4R7-A.F.
43	1	R6	1M-1W
44	1	R7	10K-A.F.
45	1	R8	470R/2W
46	1	R9	ATE-2CSN-R33J
47	1	R10	0-ohm
48	1	R11	2K2
49	1	R12	1K
50	1	R13	RXE500
51	1	R14	47R
52	1	T1	TSWTCH22
53	1	U1	LM7818
54	1	U2	LM2940-5

SLFILPSPJGRL



DATA RILASCIO: 25/6/03	DIS. S.POL. CTR. A2 LATO SERIGRAFIA VISTA LATO COMPONENTI
REV:	
DIM.SCHEDA: VEDI QUOTE TRATT: STANDARD COSTRUTTORE	DENOMINAZIONE SCHEDA NODO DI CORRENTE
MAT:FR4-74 1.6mm Cu 35um VISTA POSITIVA	CODICE CSFILPSPJ1KC
	RVR ELETTRONICA S.P.A. SCALA 1:1



Nome Progetto: TEXPJ 2000 & 2500 GREEN LINE	Pagina: 1 di 1	Size: A4
Autore: Ufficio Tecnico	Disegnato: 02-2012	Codice Progetto: 237
Nome P.C. in Rete: \RVR\UTR\Iasciati	Revisione: 1.0	Nome Parte: Scheda filtro TEXPJ 2000 & 2500
File/Cartella:	Autore/Revisione:	Codice: SLFILPSPJGRL

SLFILPSPJGRL

Scheda filtro TEX/PJ 2000 & 2500  
 SLFILPSPJGRL Revision: 1.0  
 #####

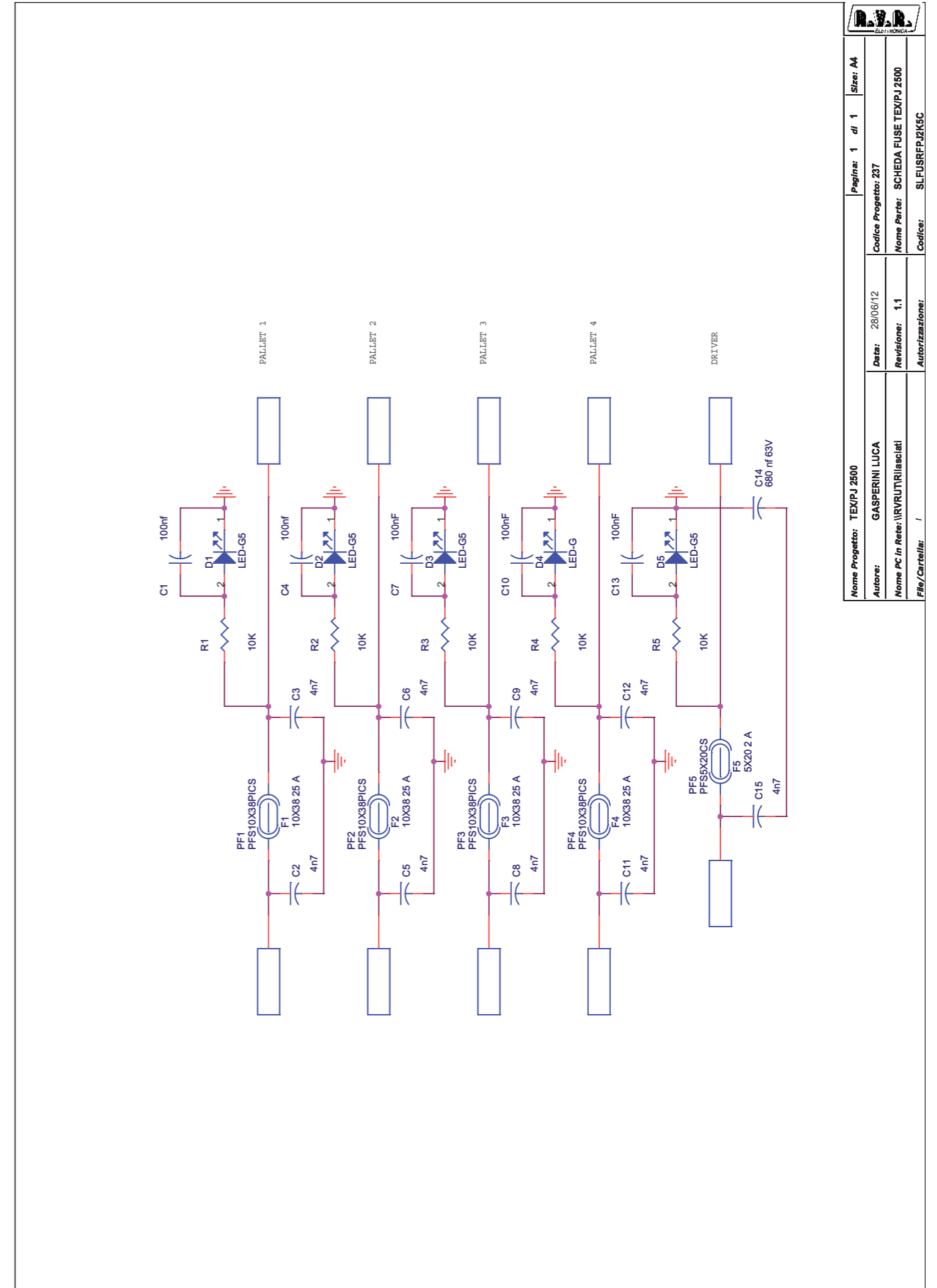
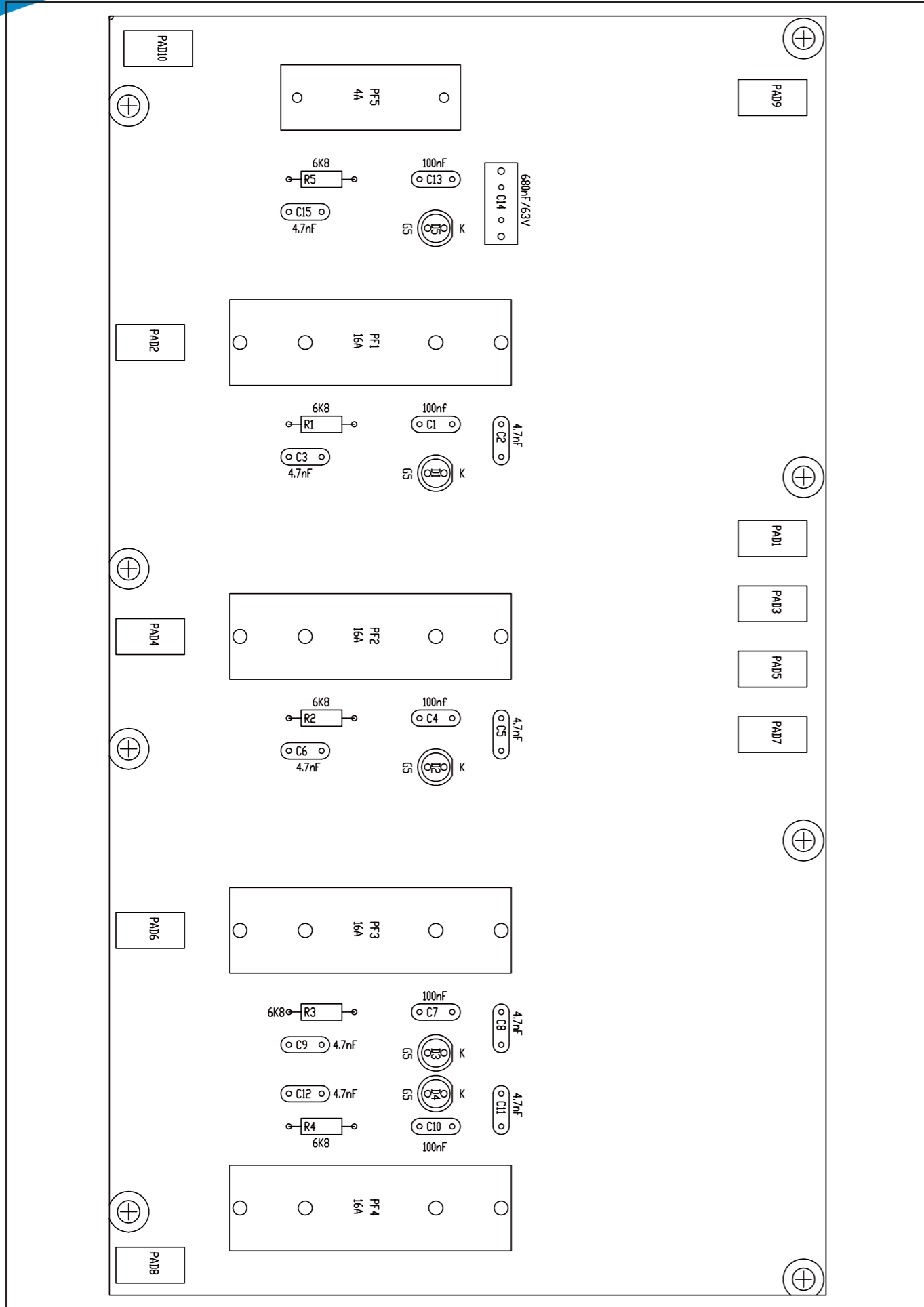
Item	Quantity	Reference	Part
1	1	C1	1000uF/63V CEA108MW630V COND.EL.AL.V.1000MF 63V 105° SWITCH NOTA 1
2	1	C2	0.68uF CPE684JC101 COND. POL. 680NF 5% 5,08MM 100V NOTA 2
3	4	FIX1, FIX2, FIX3, FIX4	FIX35
4	1	L1	BOB03010008/BOB03010008A BOB03010008A
5	4	PAD1, PAD2, PAD3, PAD4	PAD
6	1	CSFILPSPJ1KC	CS1 CSFILPSPJ1KC CIRC.STAMP.FILTRO ALIM.PJ1000 COMPA NOTA 3

NOTA1: MONTARE IN VERTICALE

NOTA 2: MONTARE SU LS SDRAIATO

NOTA 3: FARE FORI E TAGLI DI PISTA COME CAMPIONE FINO ALL'ARRIVO DEL NUOVO CS

SLFUSRFPJ2K5C



Nome Progetto: TEX/PJ 2500	Pagina: 1	di 1	Size: A4
Autore: GASPERINI LUCA	Data: 28/06/12	Codice Progetto: 237	
Nome PC in Rete: \\RVUTR\lucasi	Revisione: 1.1	Nome Parte: SCHEDA FUSE TEX/PJ 2500	
File/Cartella: /	Autizzazioni:	Codice: SLFUSRFPJ2K5C	



SLFUSRFPJ2K5C

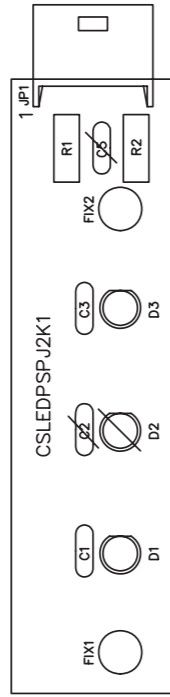
SCHEDA FUSE TEX/PJ 2500 SLFUSRFPJ2K5C  
28/06/2012 Revision: 1.1

TEX/PJ2500  
237

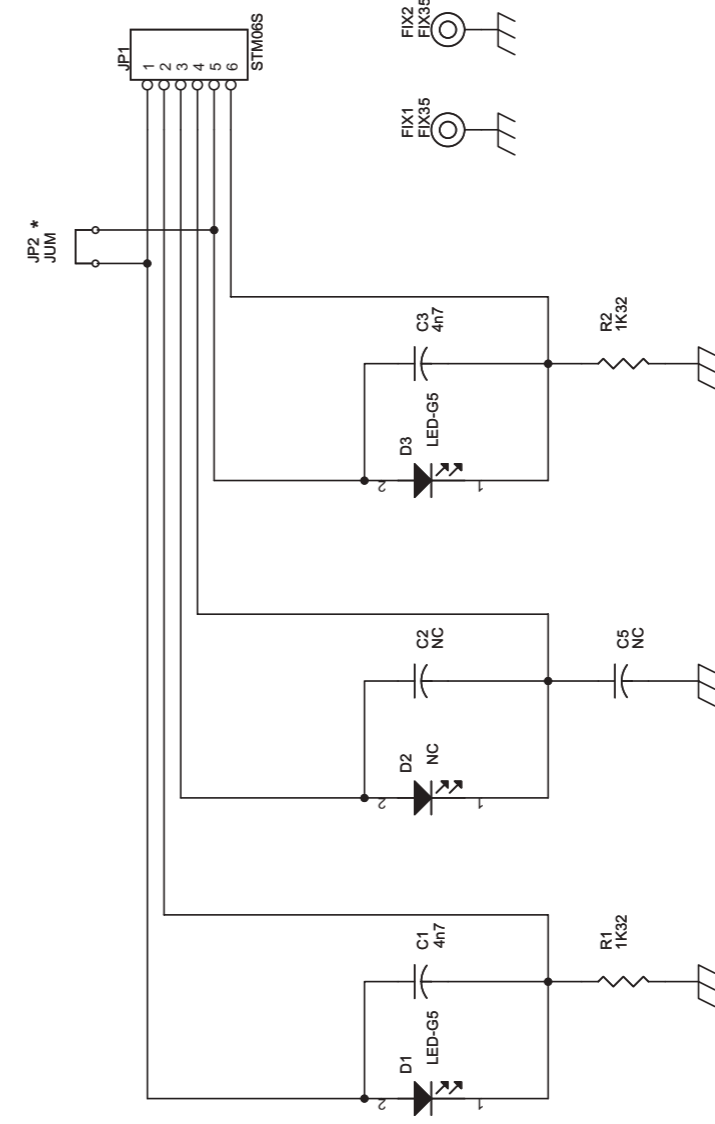
GASPERINI LUCA

Item	Quantity	Reference	Part	Cod. AS400	Description
1	5	C1, C4, C7, C13, C10	100nF	CMS104MC500	COND.MULTISTR.100NF 20% 5,08MM 50V
2	9	C2, C3, C5, C6, C8, C9, C11, C12, C15	4n7	CKM472KC600P	COND.CER. 4NF7 P5,08 10% 50V N150
3	1	C14	680 nf 63V	CPE684JC101	COND. POL. 680NF 5% 5,08MM 100V
4	5	D1, D2, D3, D4, D5	LED-G5	LEDV05	LED COLORE VERDE DIAMETRO 5MM.
5	4	F1, F2, F3, F4	10X38 25 A	FUS10X38RP25	FUSIBILE 10X38MM RAPIDO 25AMP
6					
7	1	F5	5X20 2 A	FUS5X20RP4	FUSIBILE 5X20MM RAPIDO 4AMP
8	4	PF1, PF2, PF3, PF4	PFS10X38PICS	PFS10X38PICS	PORTAFUS. A PINZA DA CS 10X38 (2 X 4PZ)
9	1	PF5	PFS5X20CS	PFS5X20CS	PORTAFUS. DA C.S. 5X20MM
10	5	R1, R2, R3, R4, R5	10K	RSM1/4F0010K	RES. STRATO METALLICO 1/4W 1% 10K
11	10	U1, U2, U3, U4, U5, U6, U7, U8, U9, U10	PAD		
12	1	CS1	CSFUSPJ1KC-2	CSFUSPJ1KC-2	CIRC.STAMP.FUSIBILI SEZ.RF PJ1KCOMP

SLLEDPSTEX1K



		Nome Progetto: TEX1000	Pagina: 1	di 1	Size: A4
Autore:	rev.: J.BERTI - Ufficio Tecnico	Data: 20/01/04	Codice Progetto: 010		
Nome PC in Rete:	\\UT_SRV\PROGETTI	Revisione: 1.3	Nome Parte: Scheda LED PS Layout Component		
File/Cartella:	MANUAL\TEX1000\SLLEDPSTEX1K\ALM_SDC.DWG	Autorizzazione:	Codice: SLLEDPSTEX1K		
Scala:	/	Materiale:	Trattamento: /		
			Profilo: /		



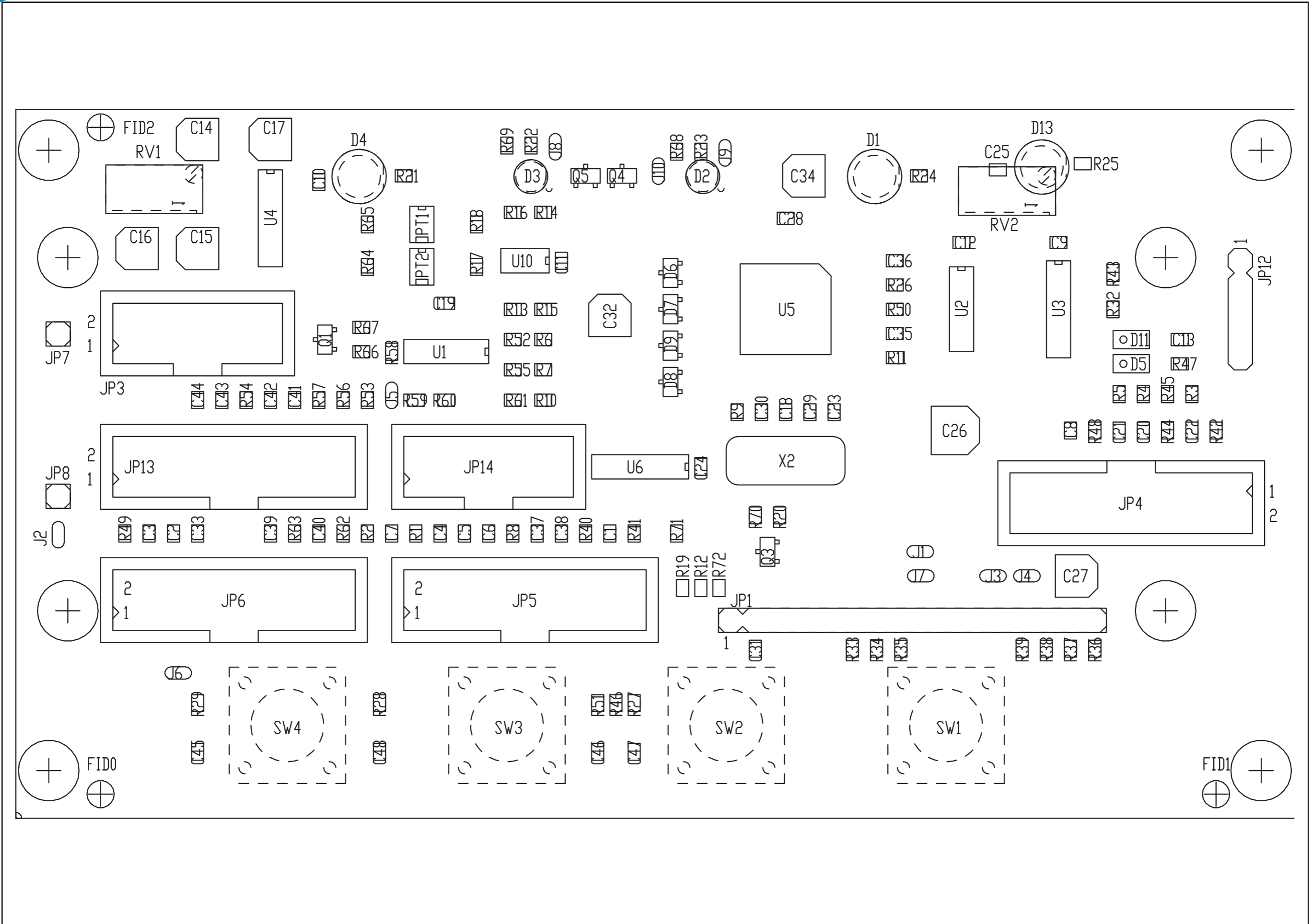
\*: Modifies only for PJ1000light, TEX1000light-LCD, TEX500-LCD, TEX300-LCD Models

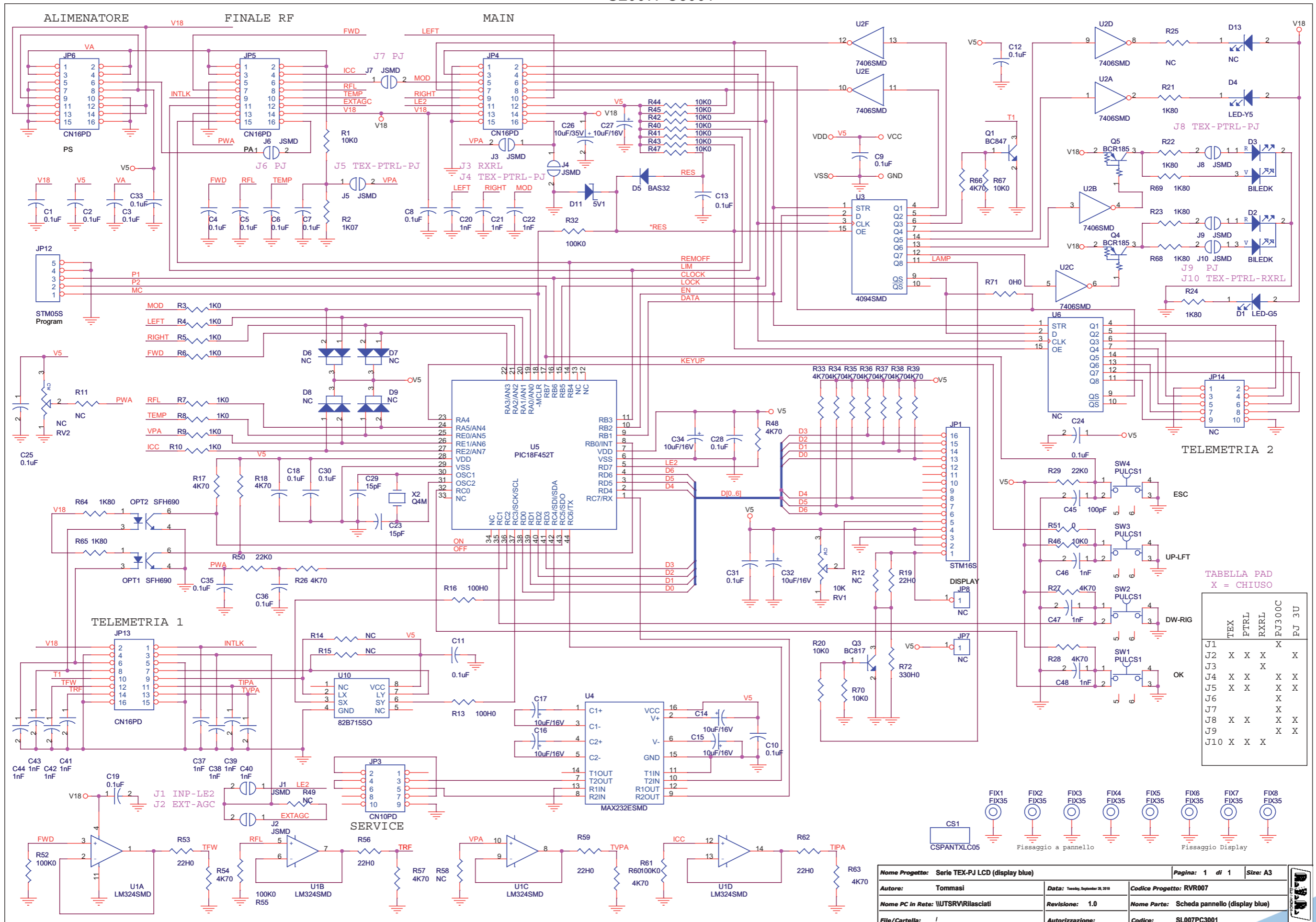
		Nome Progetto: TEX1000	Pagina: 1	di 1	Size: A4
Autore:	rev.: J.Berti - Ufficio Tecnico	Data: 03/02/04	Codice Progetto: 010		
Nome PC in Rete:	\\UT_SRV\PROGETTI	Revisione: 1.4	Nome Parte: Scheda LED PS		
File/Cartella:	CSLEDPSPJ2K1.DSN	Autorizzazione:	Codice: SLLEDPSTEX1K		

SLLEDPSTEX1K

Scheda LED PS Revised: 03/02/2005  
 SLLEDPSTEX1K Revision: 1.4  
 TEX1000

Item	Quantity	Reference	Part	Description
1	2	C1, C3	4n7	COND.CER. 4NF7 P5,08 10% 50V N150
2	3	D2, C2, C5	NC	
3	2	D1, D3	LED-G5	LED COLORE GIALLO DIAMETRO 5MM
4	2	FIX1, FIX2	FIX35	
5	1	JP1	STM06S	CONN. STRIP MASC. 6 PIN 6MM 90°
6	2	R2, R1	1K32	RES. STRATO METALLICO 1/4W 1% 1,33K





Nome Progetto: Serie TEX-PJ LCD (display blue)	Pagina: 1 di 1	Size: A3
Autore: Tommasi	Data: Tuesday, September 28, 2010	Codice Progetto: RVR007
Nome PC in Rete: \UTSRV\rilasciati	Revisione: 1.0	Nome Parte: Scheda pannello (display blue)
File/Cartella: /	Autorizzazione:	Codice: SL007PC3001

SL007PC3001

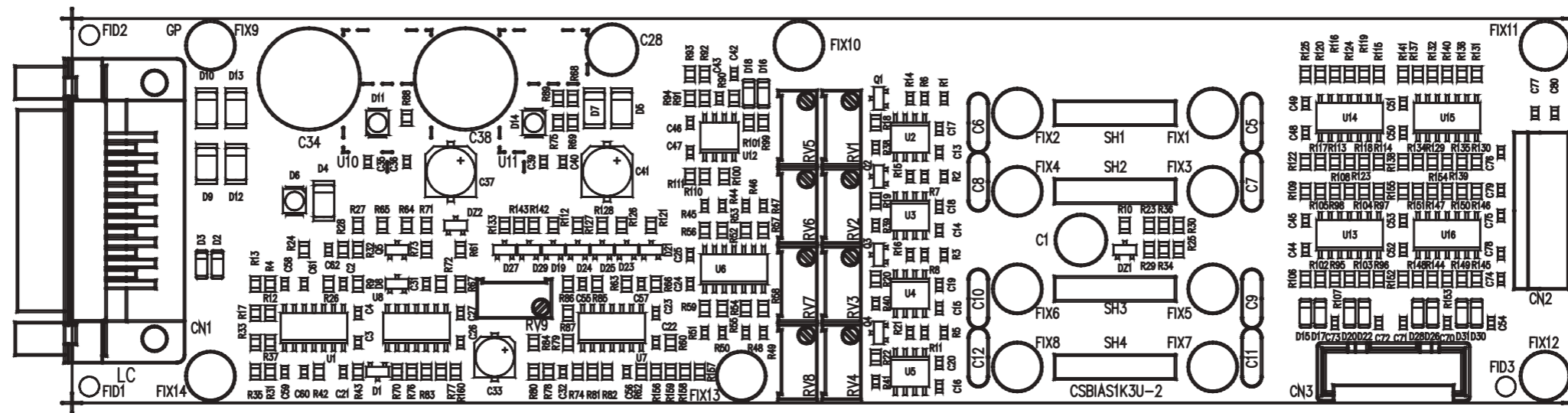
Scheda pannello serie TEX/PJ - SL007PC3001  
 28/09/2010 Revision: 1.0  
 Serie TEX-PJ LCD (display blue)  
 RVR007  
 Tommasi

Item	Quantity	Reference	Part	Description	Code
1	1	CS1	CSPANTXLC05	Circuito stampato	CSPANTXLC05
2	23	C1,C2,C3,C4,C5,C6,C7,C8, C9,C10,C11,C12,C13,C18, C19,C24,C25,C28,C30,C31, C33,C35,C36	0.1uF	Cond. SMD 0805	CCC085104KXC
3	7	C14,C15,C16,C17,C27,C32, C34	10uF/16V	Cond. Elett. SMD d. 4mm	CES106A160
4	14	C20,C21,C22,C37,C38,C39, C40,C41,C42,C43,C44,C46, C47,C48	1nF	Cond. SMD 0805	CCC085102KXC
5	2	C23,C29	15pF	Cond. SMD 0805	CC085150JCC
6	1	C26	10uF/35V	Cond. Elett. SMD d. 5mm	CES106B350
7	1	C45	100pF	Cond. SMD 0805	CCC085101JCC
8	1	D1	LED-G5	LED Verde dia. 5mm	LEDV05
9	2	D2,D3	BILEDK	Doppio led V-R 5mm Catodo com.	LEDB05
10	1	D4	LED-Y5	LED Giallo dia. 5mm	LEDG05
11	1	D5	BAS32	MINIMELF SMD Diode	DISBAS32MINI
12	4	D6,D7,D8,D9	NC	Doppio Diodo SMD SOT23	
13	1	D11	5V1	MINIMELF SMD Zener Diode	DIZ5V1MINI
14	1	D13	NC	LED Giallo dia. 5mm	
15	8	FIX1, FIX2, FIX3, FIX4, FIX5, FIX6, FIX7, FIX8	FIX35	Foro fissaggio 3.5mm	
16	1	JP1	STM16S	Strip maschio 16 pin	Stecca tagliata
17	1	JP3	CN10PD	Connettore 10 poli Flat cs	CNTMCS10A
18	4	JP4, JP5, JP6, JP13	CN16PD	Connettore 16 poli Flat cs	CNTMCS16A
19	3	JP7, JP8, JP14	NC		
20	1	JP12	STM05S	Strip maschio 5 pin	Stecca tagliata
21	10	J1,J2,J3,J4,J5,J6,J7,J8, J9,J10	J5MD	Pad SMD a saldare	
22	2	OPT1,OPT2	SFH690	Optoisolatore SMD SO6	LEDTLP181
23	1	Q1	BC847	Trans. NPN SOT23	TRNBC847
24	1	Q3	BC817	Trans. NPN SOT23	TRNBC817
25	2	Q4,Q5	BCR185	Trans./Res. PNP SOT23	TRNBCR185
26	1	RV1	10K	Trimmer Rg O 3386X	RVT3386XK010
27	1	RV2	NC	Trimmer Rg V 3296W	
28	12	R1,R20,R40,R41,R42,R43, R44,R45,R46,R47,R67,R70	10K0	Res. SMD 0805 1%	RCH085F0010K
29	1	R2	1K07	Res. SMD 0805 1%	RCH085F01K07
30	8	R3,R4,R5,R6,R7,R8,R9,R10	1K0	Res. SMD 0805 1%	RCH085F0001K
31	7	R11,R12,R25,R49,R58, R14,R15	NC	Res. SMD 0805 1%	
33	2	R13,R16	100H0	Res. SMD 0805 1%	RCH085F0100H
34	1	R72	330H0	Res. SMD 0805 1%	RCH085F0330H
35	18	R17,R18,R26,R27,R28,R33, R34,R35,R36,R37,R38,R39, R48,R54,R57,R60,R63,R66	4K70	Res. SMD 0805 1%	RCH085F004K7
36	8	R21,R22,R23,R24,R64,R65, R68,R69	1K80	Res. SMD 0805 1%	RCH085F001K8
37	2	R29,R50	22K0	Res. SMD 0805 1%	RCH085F0022K
38	4	R32,R52,R55,R61	100K0	Res. SMD 0805 1%	RCH085F0100K
39	2	R51,R71	0H0	Res. SMD 0805 1%	RCH085F0000H
40	5	R19,R53,R56,R59,R62	22H0	Res. SMD 0805 1%	RCH085F0022H
41	4	SW1,SW2,SW3,SW4	PULCS1	Pulsante cs	PLC1V1M000M
42	1	U1	LM324SMD	Quad Op. SMD SO14	CILLM324SMD
43	1	U2	7406SMD	Hex inv OC SMD SO14	CID7406SMD
44	1	U3	4094SMD	Shift Reg. SMD SO16	CIDCD4094SMD
45	1	U4	MAX232ESMD	RS232 Driver SMD SO16	CIDMX232CSES
46	1	U5	PIC18F452T	TQFP44 SMD Microprocessor	CIDPIC18F452
47	1	U10	82B715SO	IIC Bus driver SMD SO8	CID82B715S
48	1	X2	Q4M	Quarzo SMD HC49SMD	QRZ000004MC
49	1	U6	NC	Shift Reg. SMD SO16	

NOTA1

NOTA1 Personalizzazione TEX500LCDTDF: R69 diventa NC

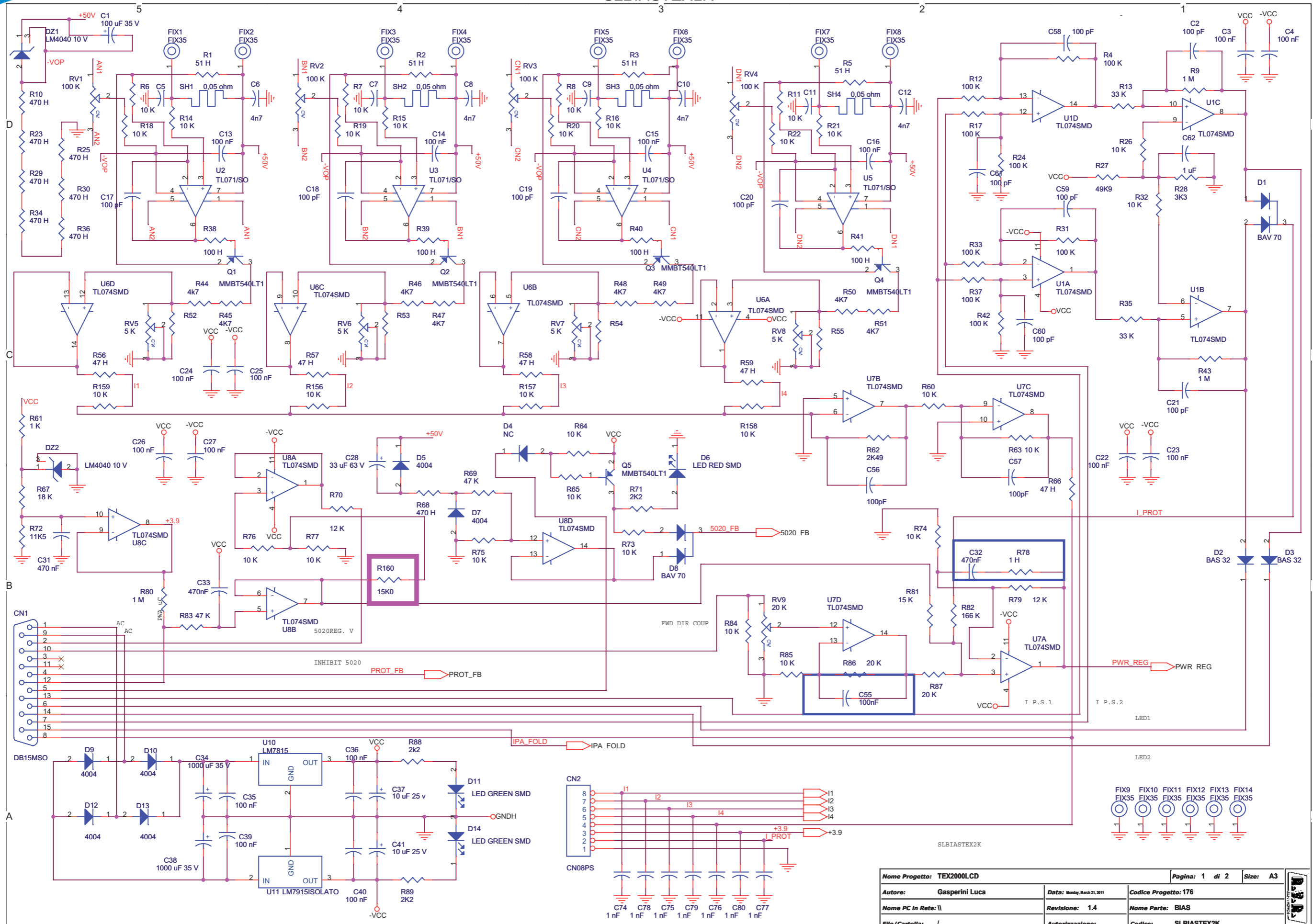
SLBIAS<sup>TEX2K</sup>



Nome Progetto: TEX1000		Pagina: 1 di 1		Size: A4
Autore: Ufficio Tecnico	Data: 22/01/04	Codice Progetto: 010		
Nome PC in Rete: \\UT_SRV\PROGETTI	Revisione: 1.2	Nome Parte: Scheda Bias TEX1000/PJ1000C		
File/Cartella: \MANUALI\TEX1000\SLBIAS1K3U-2\bias1k3u-2.dwg	Autorizzazione:	Codice: SLBIAS1K3U-2		
Scala: /	Materiale: /	Trattamento: /	Profilo: /	



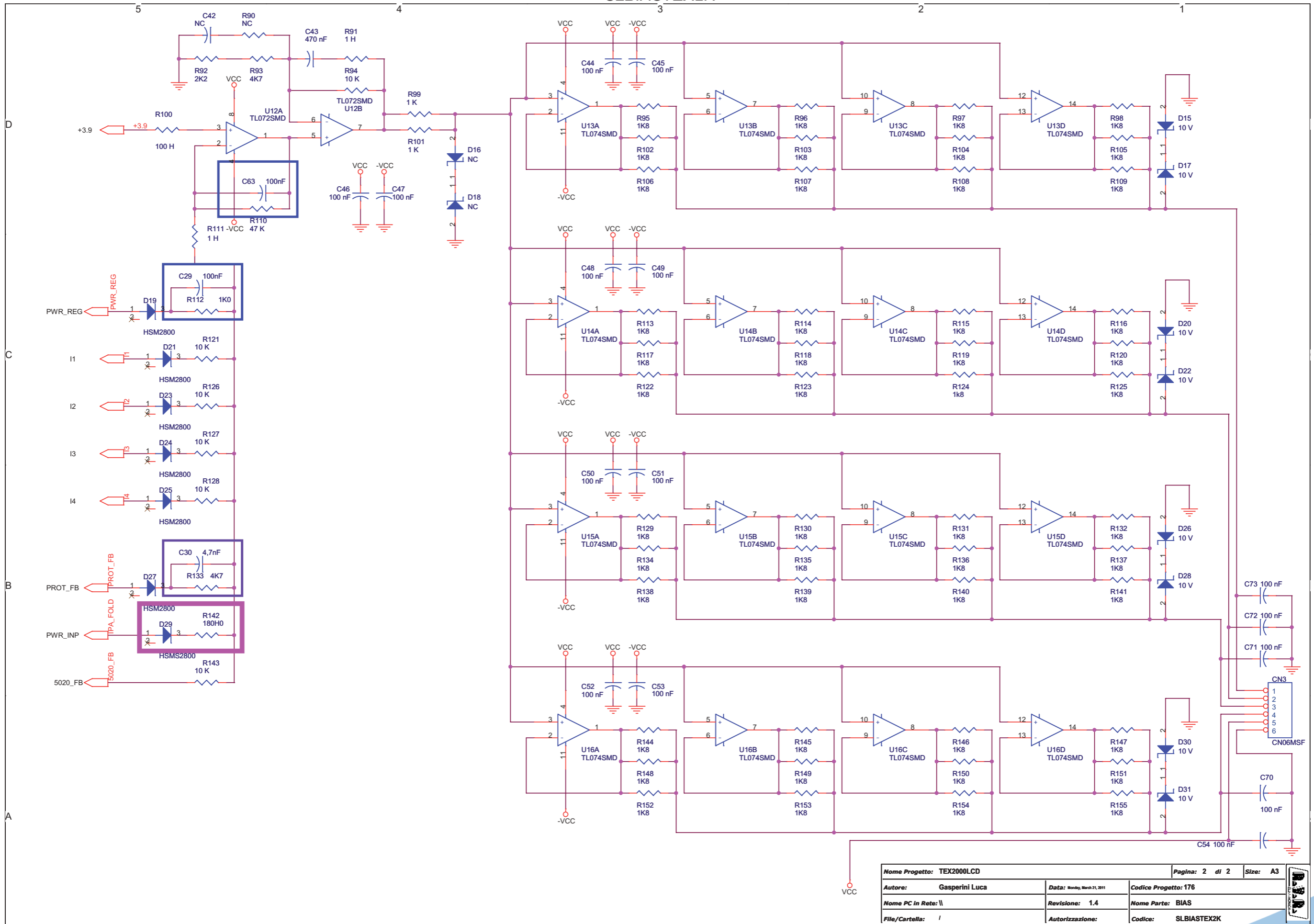
SLBIASTEX2K



Nome Progetto: TEX2000LCD	Pagina: 1 di 2	Size: A3
Autore: Gasperini Luca	Data: Monday, March 21, 2011	Codice Progetto: 176
Nome PC in Rete: \\	Revisione: 1.4	Nome Parte: BIAS
File/Cartella: /	Autorizzazione:	Codice: SLBIASTEX2K



SLBIASTEX2K



Nome Progetto: TEX2000LCD		Pagina: 2 di 2		Size: A3
Autore: Gasperini Luca	Data: Monday, March 21, 2011	Codice Progetto: 176		
Nome PC in Rete: \	Revisione: 1.4	Nome Parte: BIAS		
File/Cartella: /	Autorizzazione:	Codice: SLBIASTEX2K		

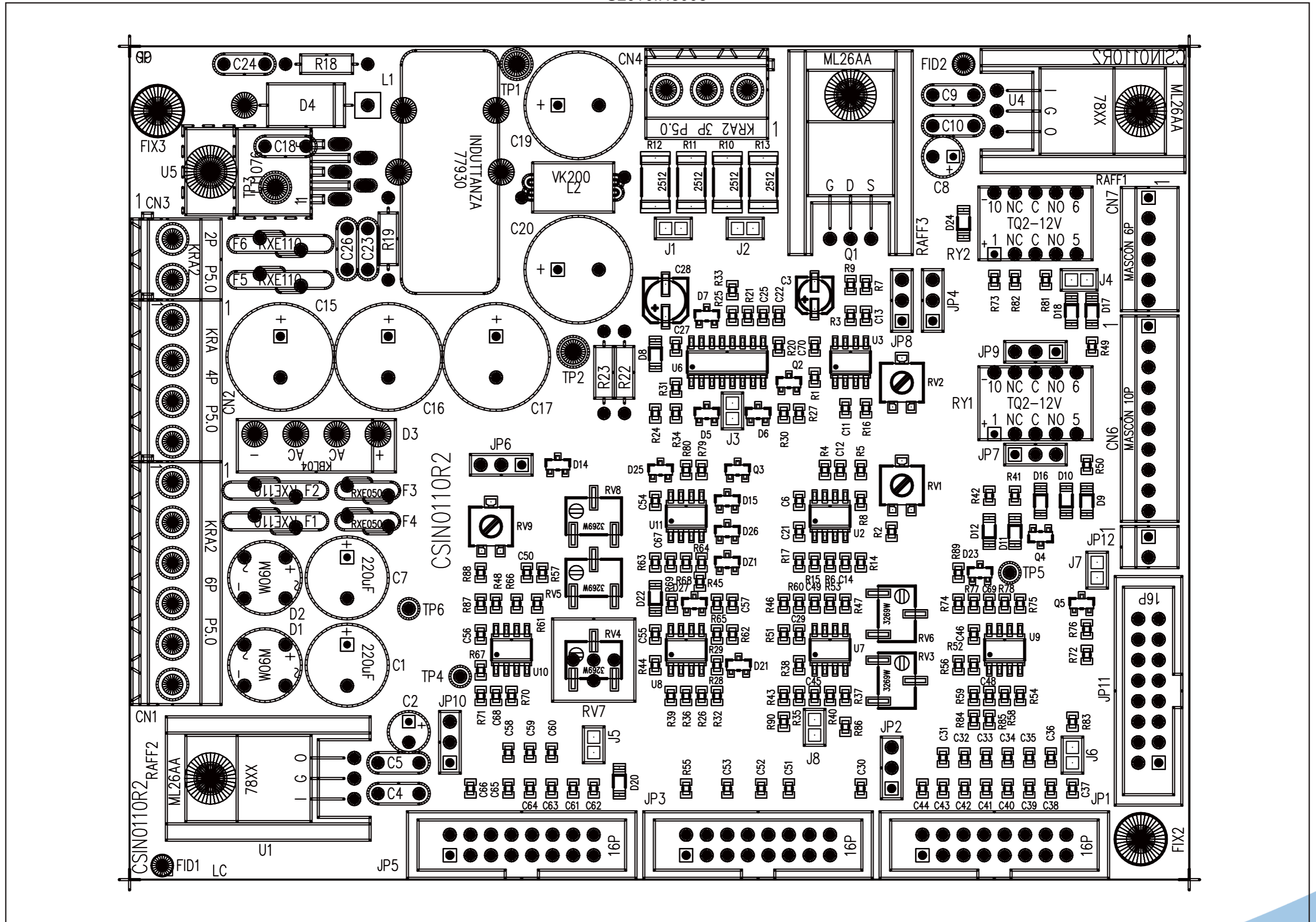
SLBIASTEX2K

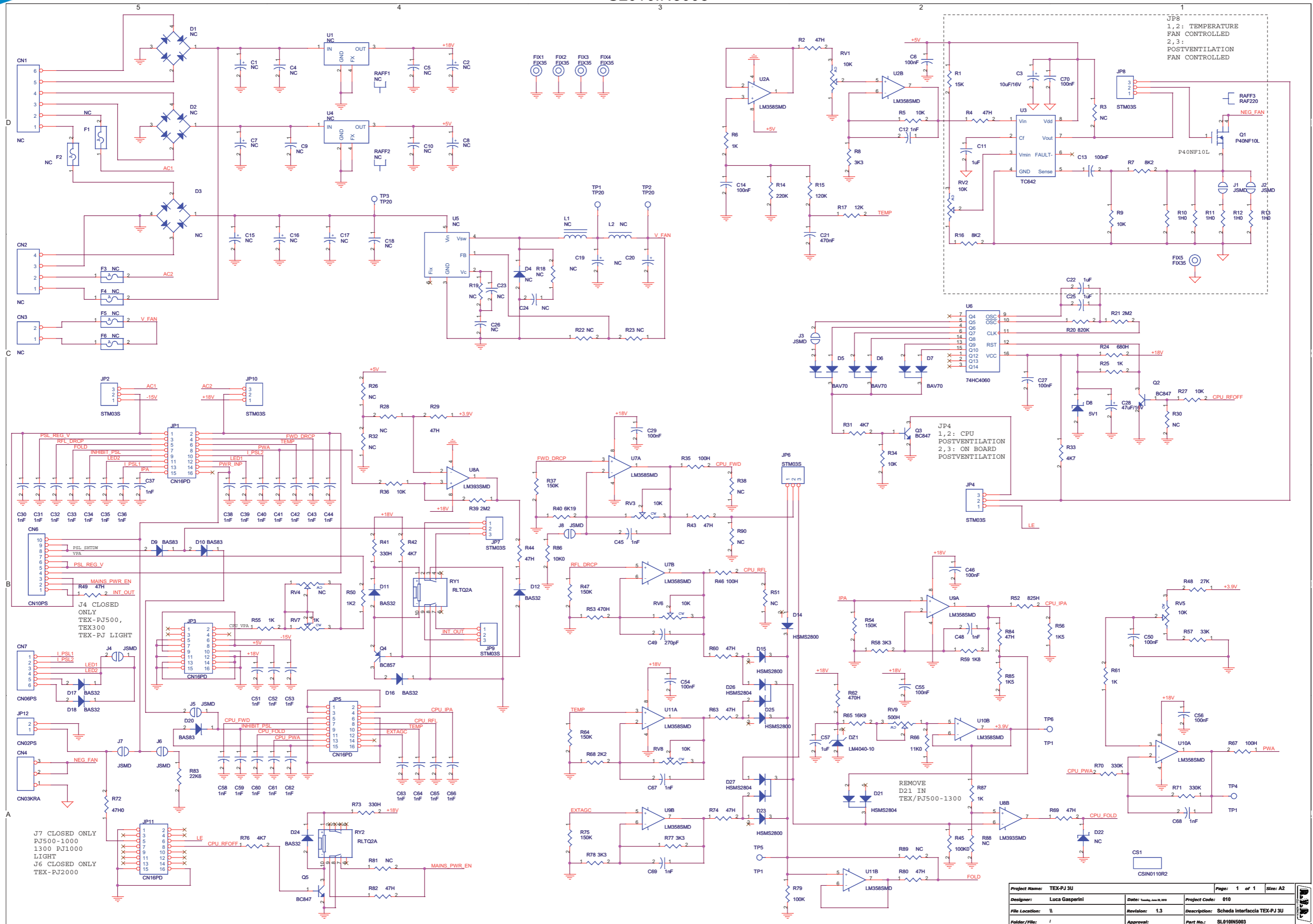
SCHEDA BIAS Revised: 21/03/2011  
 SLBIASTEX2K Revision: 1.4  
 TEX2000LCD

Item	Q.ty	Reference	Part	Note
1	1	CN1	DB15MSO	
2	1	CN2	CN08PS	
3	1	CN3	CN06MSF	
4	1	C1	100 uF 35 V	
5	12	C2, C17, C18, C19, C20, C21, C56, C57, C58, C59, C60, C61	100 pF	
6	31	C3, C4, C13, C14, C15, C16, C22, C23, C24, C25, C26, C27, C35, C36, C39, C40, C44, C45, C46, C47, C48, C49, C50, C51, C52, C53, C54, C70, C71, C72, C73, C55, C29	100 nF	
7	8	C5, C6, C7, C8, C9, C10, C11, C12, C30	4n7	
8	1	C28	33 uF 63 V	
9	2	C31, C43, C32	470 nF	
10	2	C37, C41	10 uF 25 V	
10A	1	C33	470nF	
11	2	C34, C38	1000 uF 35 V	
12	7	C42, R90, R142, D16, D18, D4	NC	
13	8	C74, C75, C76, C77, C78, C79, C80	1 nF	
14	1	C62	1 uF	
15	2	DZ2, DZ1	LM4040 10 V	
16	2	D8, D1	BAV 70	
17	2	D3, D2	BAS 32	
18	7	D5, D7, D9, D10, D12, D13	4004	
19	3	D6	LED SMD RED 3X2,6 MM	
20		D11, D14	LED SMD GREEN 3X2,6 MM	
21	8	D15, D17, D20, D22, D26, D28, D30, D31	10 V	
22	6	D19, D21, D23, D24, D25, D27, D29	HSM2800	
23	14	FIX1, FIX2, FIX3, FIX4, FIX5, FIX6, FIX7, FIX8, FIX9, FIX10, FIX11, FIX12, FIX13, FIX14	FIX35	
24	5	Q1, Q2, Q3, Q4, Q5	MMBT540LT1	
25	4	RV1, RV2, RV3, RV4	100K	
26	4	RV5, RV6, RV7, RV8	5K	
27	1	RV9	20K	
28	4	R1, R2, R3, R5	51 H	
29	8	R4, R12, R17, R24, R31, R33, R37, R42	100 K	
30	35	R6, R7, R8, R11, R14, R15, R16, R18, R19, R20, R21, R22, R26, R32, R60, R63, R64, R65, R73, R74, R75, R76, R77, R84, R85, R94, R121, R126, R127, R128, R143, R156, R157, R158, R159	10 K	
31	3	R9, R43, R80	1 M	
32	8	R10, R23, R25, R29, R30, R34, R36, R68	470 H	
33	2	R35, R13	33 K	
34	1	R27	49K9	
35	1	R28	3K3	
36	5	R38, R39, R40, R41, R100	100 H	
37	14	R44, R45, R46, R47, R48, R49, R50, R51, R52, R53, R54, R55, R93, R133	4K7	
38	5	R56, R57, R58, R59, R66	47 H	
39	3	R61, R99, R101, R112	1 K	
40	1	R62	2K49	
41	1	R67	18 K	
42	3	R69, R83, R110	47 K	
43	2	R70, R79	12 K	
44	5	R71, R88, R89, R92	2K2	
45	1	R72	11K5	
46	3	R78, R91, R111	1 H	
47	1	R81, R160	15 K	
48	1	R82	165 K	
49	2	R86, R87	20 K	

Item	Q.ty	Reference	Part	Note
50	48	R95, R96, R97, R98, R102, R103, R104, R105, R106, R107, R108, R109, R113, R114, R115, R116, R117, R118, R119, R120, R122, R123, R124, R125, R129, R130, R131, R132, R134, R135, R136, R137, R138, R139, R140, R141, R144, R145, R146, R147, R148, R149, R150, R151, R152, R153, R154, R155	1K8	
51	1	R142	180 H	
52	4	SH1, SH2, SH3, SH4	0,05 ohm	
53	8	U1, U6, U7, U8, U13, U14, U15, U16	TL074SMD	
54	4	U2, U3, U4, U5	TL071/SO	
55	1	U10	LM7815	
56	1	U11	LM7912ISOLATO	
57	1	U12	TL072SMD	

SL010IN5003





Project Name:	TEX-PJ 3U	Date:	17/08/2012	Page:	1 of 1	Size:	A2
Designer:	LUCA Gasparini	Revision:	1.3	Project Code:	010		
File Location:	\\	Description:	Scheda interfaccia TEX-PJ 3U				
Folder/File:	/	Approval:		Part No.:	SL010IN5003		

SL010IN5003

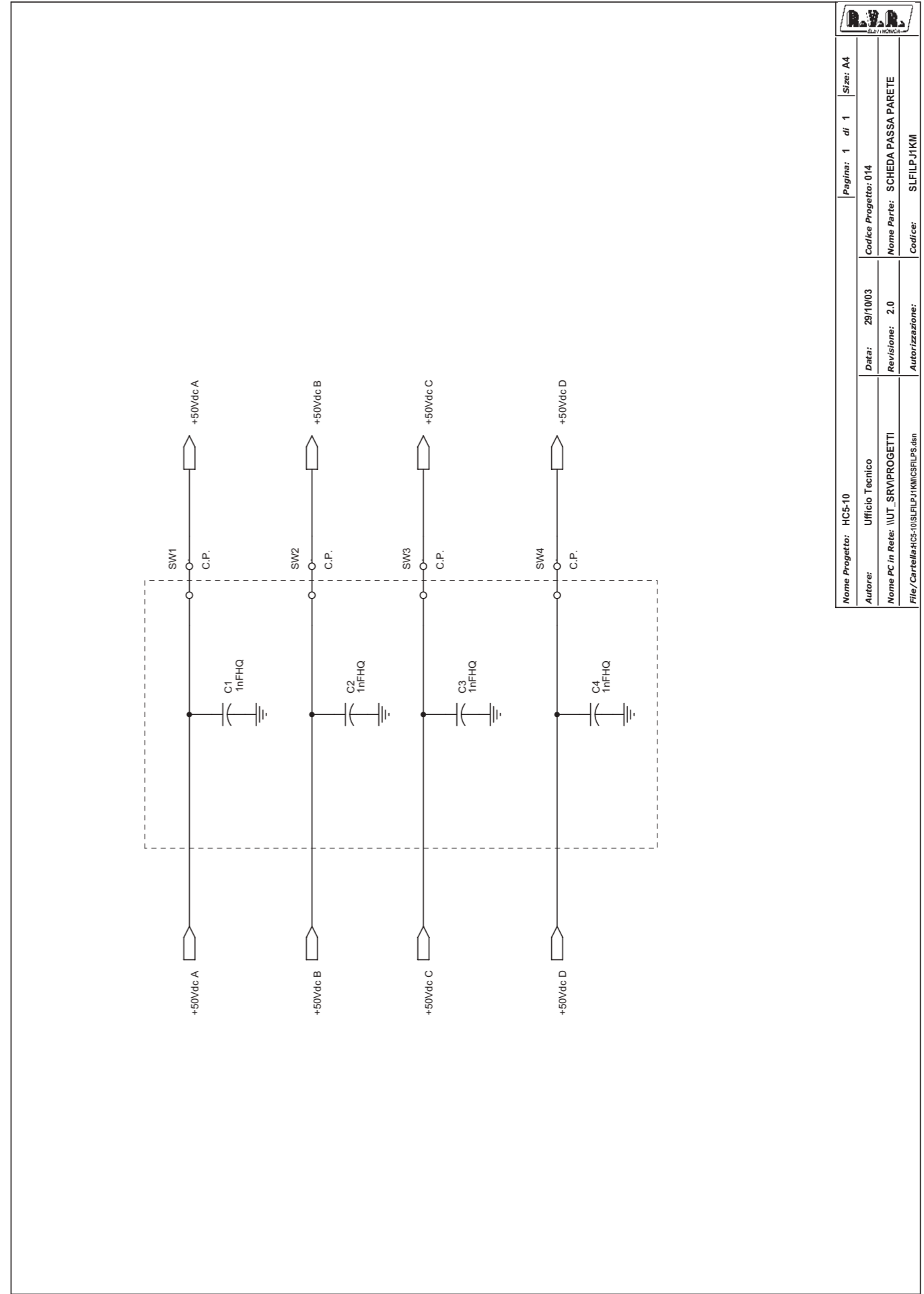
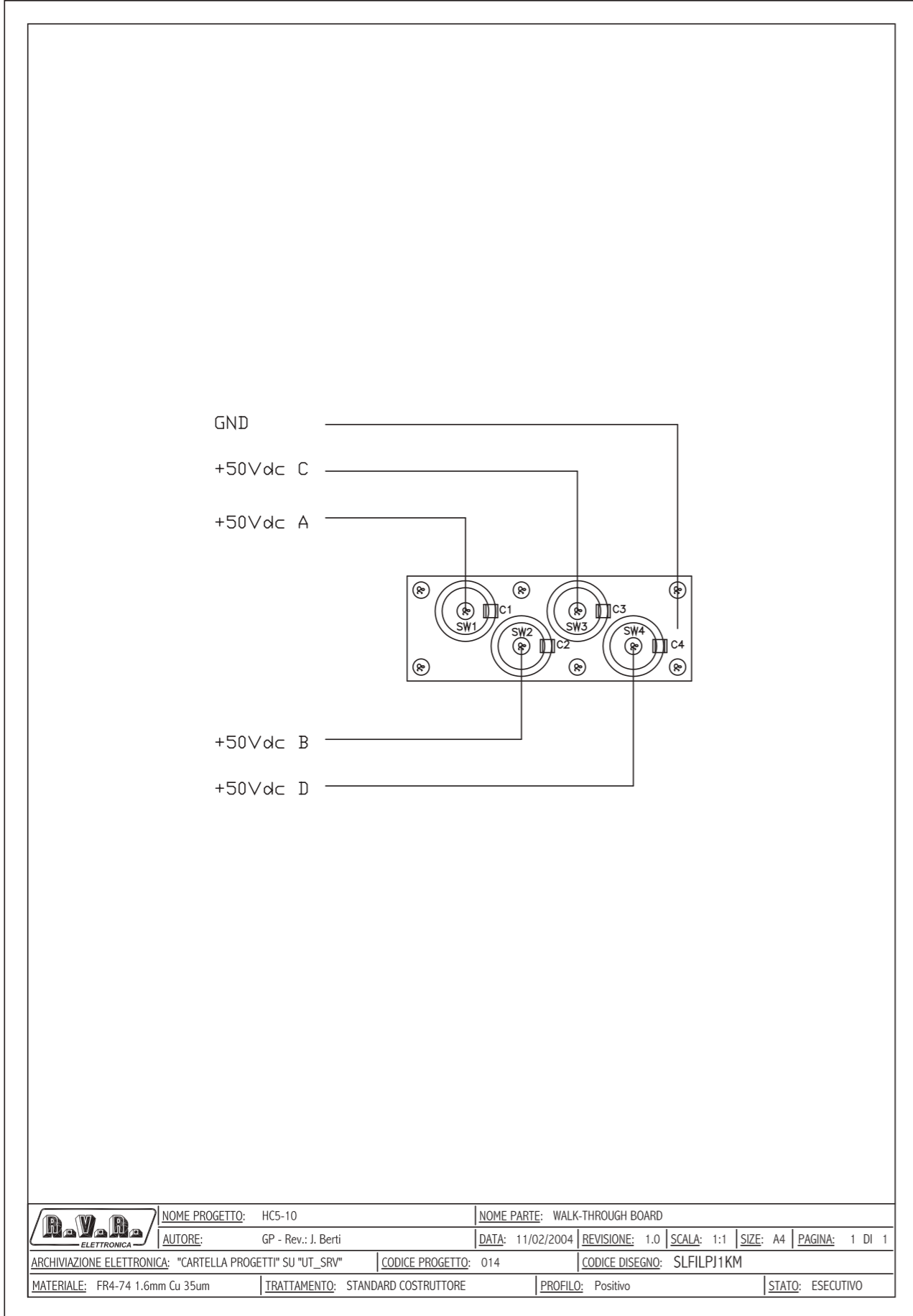
Scheda interfaccia TEX-PJ 3U - SL010IN5003  
29/06/2010 Revision: 1.3  
TEX2000

Luca Gasperini

Item	Quantity	Reference	Part	(description)
1	1	CN1	NC	Conn. tipo KRA a 6 poli
2	1	CN2	NC	Conn. tipo KRA a 4 poli
3	1	CN3	NC	Conn. tipo KRA a 2 poli
4	1	CN4	CN03KRA	Conn. tipo KRA a 3 poli
5	1	CN6	CN10PS	Connettore 10 poli Mascon
6	1	CN7	CN06PS	Connettore 6 poli Mascon
7	1	CS1	CSIN0110R2	Circuito stampato
8	2	C1, C7	NC	Cond. Elettr. Dia 10 P5.08
9	2	C2, C8	NC	Cond. Elettr. Dia 5 P2.54
10	1	C3	10uF/16V	Cond. Elett. SMD d. 4mm
11	8	C4, C5, C9, C10, C18, C23, C24, C26	NC	Cond. ceramico multistrato p 5mm
12	11	C6, C13, C14, C27, C29, C46, C50, C54, C55, C56, C70	100nF	Cond. SMD 0805
13	4	C11, C22, C25, C57	1uF	Cond. SMD 0805
14	33	C12, C30, C31, C32, C33, C34, C35, C36, C37, C38, C39, C40, C41, C42, C43, C44, C45, C48, C51, C52, C53, C58, C59, C60, C61, C62, C63, C64, C65, C66, C67, C68, C69	1nF	Cond. SMD 0805
15	5	C15, C16, C17, C19, C20	NC	Cond. Elettr. Dia 13 P5.08
16	1	C21	470nF	Cond. SMD 0805
17	1	C28	47uF/16V	Cond. Elett. SMD d. 5mm
18	1	C49	270pF	Cond. SMD 0805
19	1	DZ1	LM4040-10	Diodi Zener SMD SOT23
20	2	D1, D2	NC	Ponte diodi tondi W
21	1	D3	NC	Ponte diodi KBL/KBU
22	1	D4	NC	Diode plastico P600
23	3	D5, D6, D7	BAV70	Doppio Diode SMD SOT23
24	1	D8	5V1	MINIMELF SMD Zener Diode
25	3	D9, D10, D20	BAS83	MINIMELF SMD Diode
26	6	D11, D12, D16, D17, D18, D24	BAS32	MINIMELF SMD Diode
27	4	D14, D15, D23, D25	HSMS2800	Diode SMD SOT23
28	3	D21, D26, D27	HSMS2804	Doppio Diode SMD SOT23
29	1	D22	NC	MINIMELF SMD Zener Diode
30	5	FIX1, FIX2, FIX3, FIX4, FIX5	FIX35	Foro fissaggio 3.5mm
31	1	F1	NC	Fusibile autorip. 13mm
32	5	F2, F3, F4, F5, F6	NC	Fusibile autorip. 7mm
33	4	JP1, JP3, JP5, JP11	CN16PD	Conn.M.C.S.Dritto 16P alette
34	7	JP2, JP4, JP6, JP7, JP8, JP9, JP10	STM03S	Strip maschio 3 pin
35	1	JP12	CN02PS	Connettore 2 poli Mascon
36	8	J1, J2, J3, J4, J5, J6, J7, J8	J5MD	Pad SMD a saldare
37	1	L1	NC	Induttanza toroidale
38	1	L2	NC	Induttanza cilindrica VK200
39	1	Q1	P40NF10L	Trans. FET N TO220
40	3	Q2, Q3, Q5	BC847	Trans. NPN SOT23
41	1	Q4	BC857	Trans. PNP SOT23
42	2	RAFF1, RAFF2	NC	Dissipatore TO220
43	1	RAFF3	RAF220	Dissipatore TO220
44	2	RV1, RV2	10K	Trimmer SMD
45	4	RV3, RV5, RV6, RV8	10K	Trimm. multi SMD 3269
46	1	RV4	NC	Trimm. multi SMD 3269
47	1	RV7	1K	Trimmer Rg V 3386P
48	1	RV9	500H	Trimmer SMD
49	2	RY1, RY2	RLTQ2A	Relè' TQ2
50	1	R1	15K	Res. SMD 0805
51	13	R2, R4, R29, R43, R44, R49, R60, R63, R69, R74, R80, R82, R84	47H	Res. SMD 0805
52	11	R3, R26, R28, R30, R32, R38, R51, R81, R88, R89, R90	NC	Res. SMD 0805
53	6	R5, R9, R27, R34, R36, R86	10K	Res. SMD 0805
54	5	R6, R25, R55, R61, R87	1K	Res. SMD 0805
55	2	R16, R7	8K2	Res. SMD 0805
56	4	R8, R58, R77, R78	3K3	Res. SMD 0805
57	4	R10, R11, R12, R13	1H0	Res. SMD 2512 1%
58	1	R14	220K	Res. SMD 0805
59	1	R15	120K	Res. SMD 0805
60	1	R17	12K	Res. SMD 0805
61	4	R18, R19, R22, R23	NC	Res. 1/4W
62	1	R20	820K	Res. SMD 0805
63	2	R39, R21	2M2	Res. SMD 0805
64	1	R24	680H	Res. SMD 0805
65	4	R31, R33, R42, R76	4K7	Res. SMD 0805
66	3	R35, R46, R67	100H	Res. SMD 0805
67	5	R37, R47, R54, R64, R75	150K	Res. SMD 0805

Item	Quantity	Reference	Part	(description)
68	1	R40	6K19	Res. SMD 0805
69	2	R73, R41	330H	Res. SMD 0805
70	1	R48	27K	Res. SMD 0805
71	1	R50	1K2	Res. SMD 0805
72	1	R52	825H	Res. SMD 0805
73	2	R53, R62	470H	Res. SMD 0805
74	2	R56, R85	1K5	Res. SMD 0805
75	1	R57	33K	Res. SMD 0805
76	1	R59	1K8	Res. SMD 0805
77	1	R65	16K9	Res. SMD 0805
78	1	R66	11K0	Res. SMD 0805
79	1	R68	2K2	Res. SMD 0805
80	2	R70, R71	330K	Res. SMD 0805
81	1	R72	47H0	Res. SMD 0805
82	2	R79, R45	100K	Res. SMD 0805
83	1	R83	22K6	Res. SMD 0805
84	3	TP1, TP2, TP3	TP20	Foro dia. 2mm
85	3	TP4, TP5, TP6	TP1	Test point
86	2	U1, U4	NC	Stabilizzatore TO220F Isolato
87	5	U2, U7, U9, U10, U11	LM358SMD	Dual Op. SMD SO8
88	1	U3	NC	Fan controller SO8
89	1	U5	NC	Regolatore switching
90	1	U6	74HC4060	Divider SMD SO16
91	1	U8	LM393SMD	Dual Op. SMD SO8
92	7	Ponticello per connettore strip da CS	JUMPER	JUMPER

SLFILPJ1KM



Nome Progetto: HCS-10	Pagina: 1	di: 1	Size: A4
Autore: Ufficio Tecnico	Data: 29/10/03	Codice Progetto: 014	
Nome PC in Rete: \UT_SRV\PROGETTI	Revisione: 2.0	Nome Parte: SCHEDA PASSA PARETE	
File/Caratteristiche: HCS-10\SLFILPJ1KM\CSFILPJ1KM.dsn	Autore: S.L.F.	Codice: SLFILPJ1KM	

ARCHIVIAZIONE ELETTRONICA: "CARTELLA PROGETTI" SU "UT_SRV"	CODICE PROGETTO: 014	CODICE DISEGNO: SLFILPJ1KM
MATERIALE: FR4-74 1.6mm Cu 35um	TRATTAMENTO: STANDARD COSTRUTTORE	PROFILO: Positivo
NOME PROGETTO: HCS-10		NOME PARTE: WALK-THROUGH BOARD
AUTORE: GP - Rev.: J. Berti	DATA: 11/02/2004	REVISIONE: 1.0
SCALA: 1:1	SIZE: A4	PAGINA: 1 DI 1
STATO: ESECUTIVO		

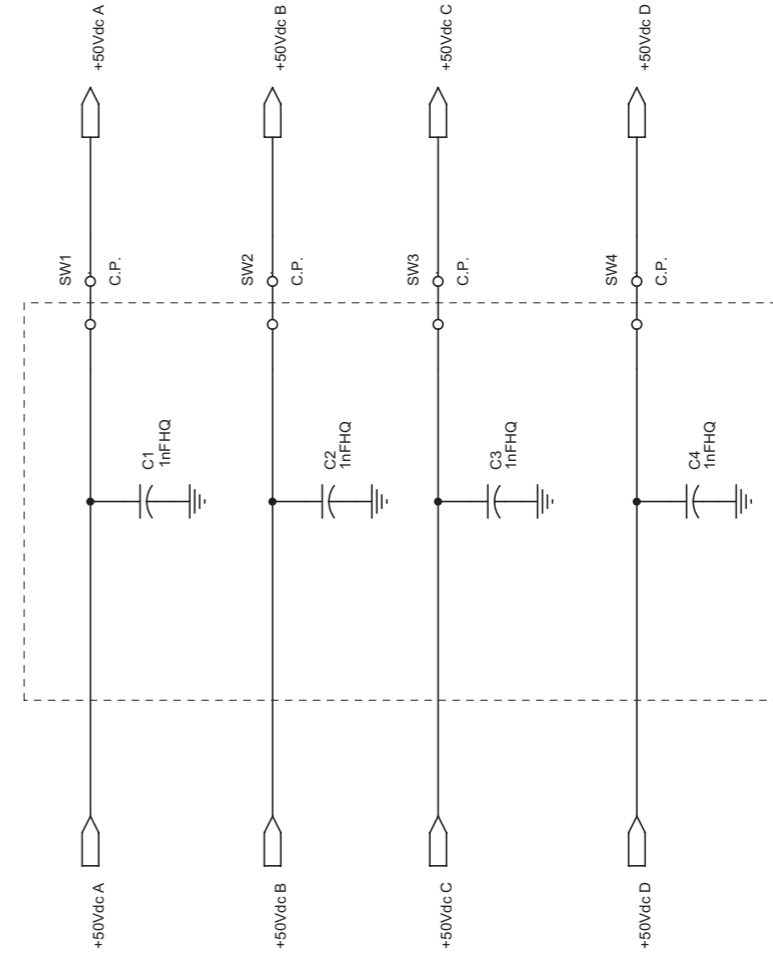
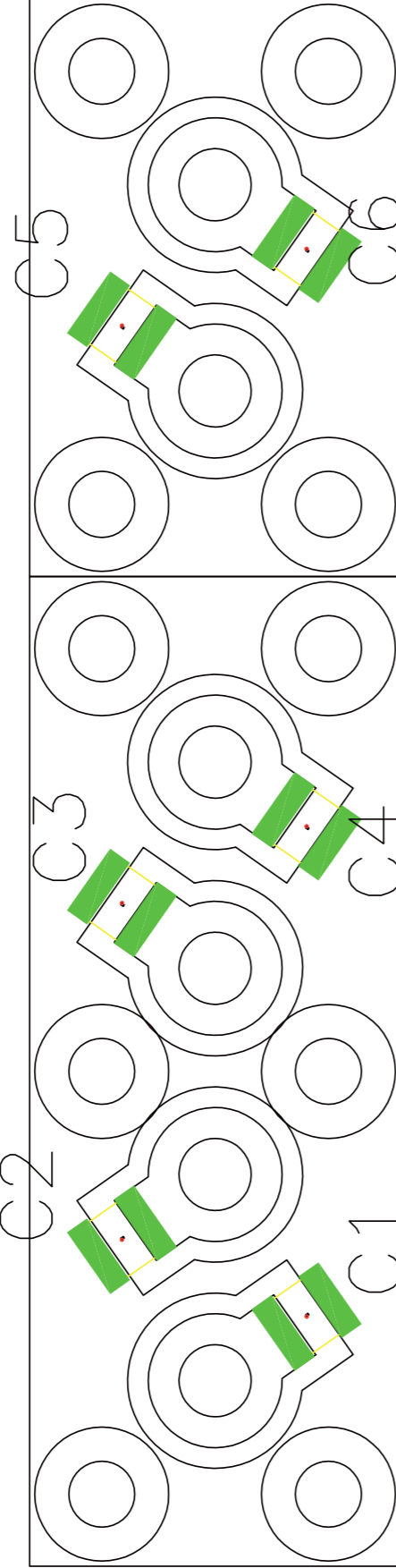
SLFILPJ1KM

SCHEDA PASSA PARETE Revised: Oct 30, 2003  
SLFILPJ1KM Revision: 2.0  
HC5-10

Item	Quantity	Reference	Part
1	4	C1, C2, C3, C4	1nFHQ
2	4	SW1, SW2, SW3, SW4	C.P.

SL176FI1001

SL176FI1001



Nome Progetto: HC5-10	Pagina: 1	di 1	Size: A4
Autore: Ufficio Tecnico	Data: 29/10/03	Codice Progetto: 014	
Nome PC in Rete: \UT_SRVPROGETTI	Revisione: 2.0	Nome Parte: SCHEDA PASSA PARETE	
File/Cartella/HC5-10/SL176FI1001/KKCSFILP5.dsn	Autorezzazione:	Codice:	SL176FI1001



SL176FI1001

Passaparete Revised: Tuesday, June 10, 2008  
 SL176FI1001 Revision:  
 TEX2000  
 176

Luca Gasperini

Item	Quantity	Reference	Part	CODICE AS400
1	1	CS1	CSPAS Circuito stampato	CSPAS1
2	6	C1, C2, C3, C4, C5, C6	470pF Cond. SMD 1212 HQ	CHQ471JA501
3	16	FIX1, FIX2, FIX3, FIX4, FIX5, FIX6, FIX7, FIX8, FIX9, FIX10, FIX11, FIX12, FIX13, FIX14, FIX15, FIX16	FIX35 Foro fissaggio 3.5mm	

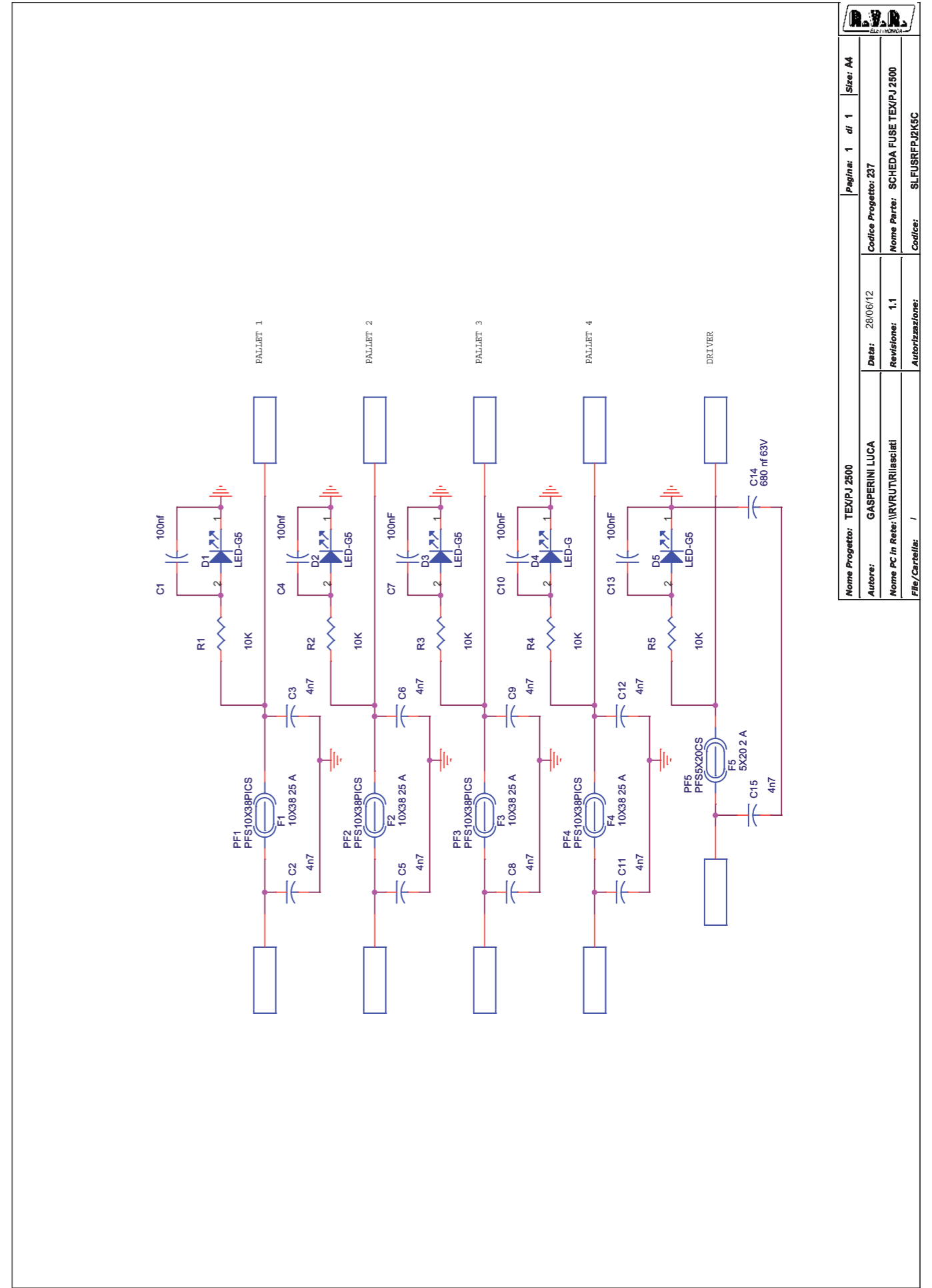
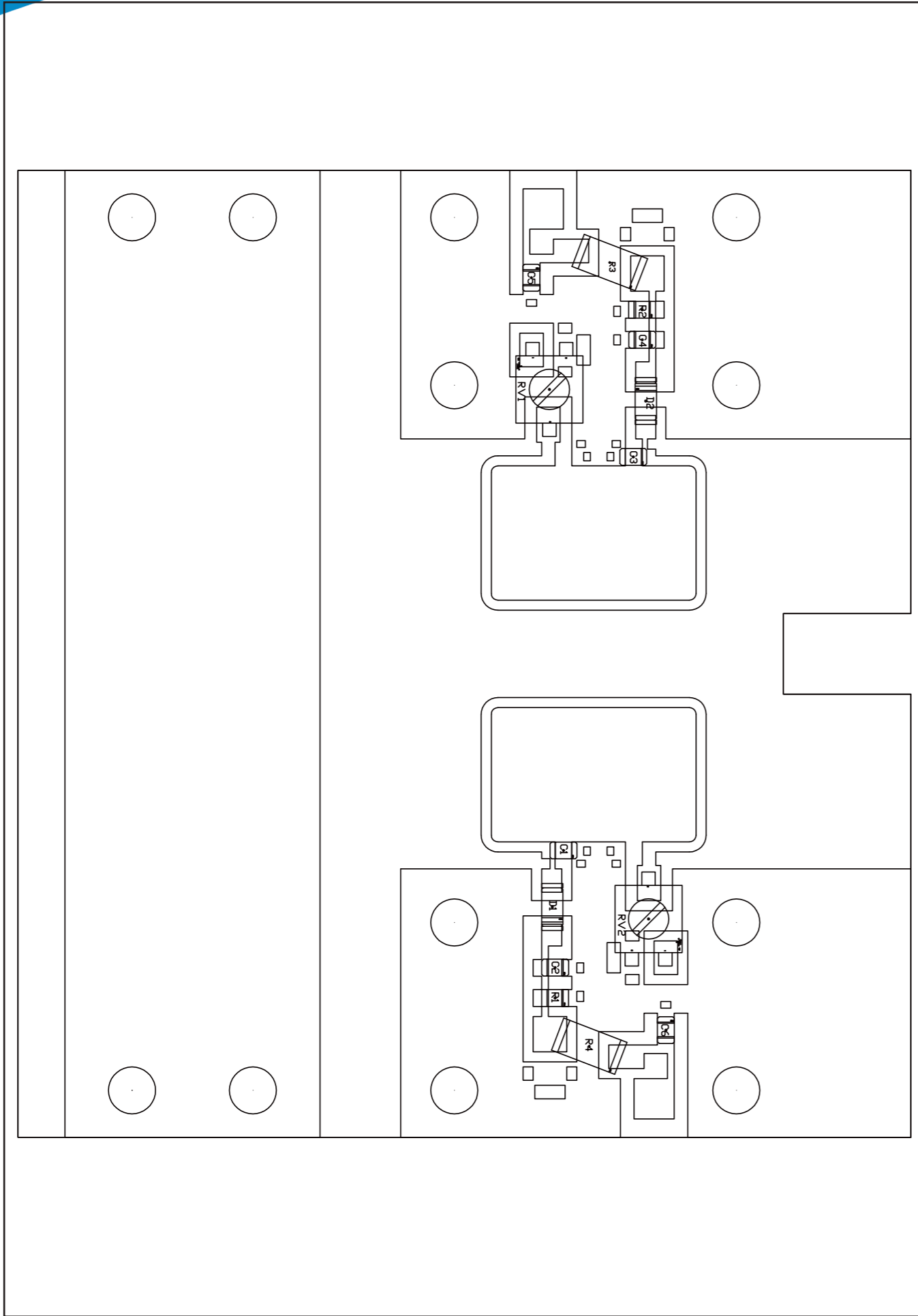


SL024MT1001

Thermal Probe  
Revision: 0.1  
Thermal Probe  
Mauro Ucelli  
08/04/08

tem	Quantity	Reference	Part	Description	Code1
1	4	C1,C2,C4,C5	4n7	Cond. SMD 0805	CCC085472KXC
2	2	C3,C6	470n	Cond. SMD 0805	CCC085474KXB
3	1	D1	9V1	MINIMELF SMD Zener Diode	DIZ9V1MINI
4	1	D2	HSMS2800	Diodo Shottky SOT23	DISHSMS2800
5	3	FIX1,FIX2,FIX3	FIX35	Foro fissaggio 3.5mm	
6	1	J1	JSMDC	Pad SMD a saldare chiuso	
7	1	PAD1	V-SUPPLY		
8	1	PAD2	GND		
9	1	PAD3	V-SIGNAL		
10	3	R1,R3,R4	680R	Res. SMD 0805	RCH085F0680H
11	1	R2	51R	Res. SMD 0805	RCH085F0051H
12	1	U1	LM50C_SMD	Temperature sensor	CILLM50C
13	1	CS1	CSMT0208R1	Circuito stampato	CSMT0208R1

SLDCLFPFJ2K5



Nome Progetto: TEXPJ 2500	Data: 28/06/12	Pagina: 1	di 1	Size: A4
Autore: GASPERINI LUCA	Revisione: 1.1	Codice Progetto: 237		
Nome PC In Rete: \\RVUTR\luca	Autore: /	Nome Parte: SCHEDA FUSE TEXPJ 2500		
File/Caratteri: /		Codice: SLFUSRFPJ2K5C		

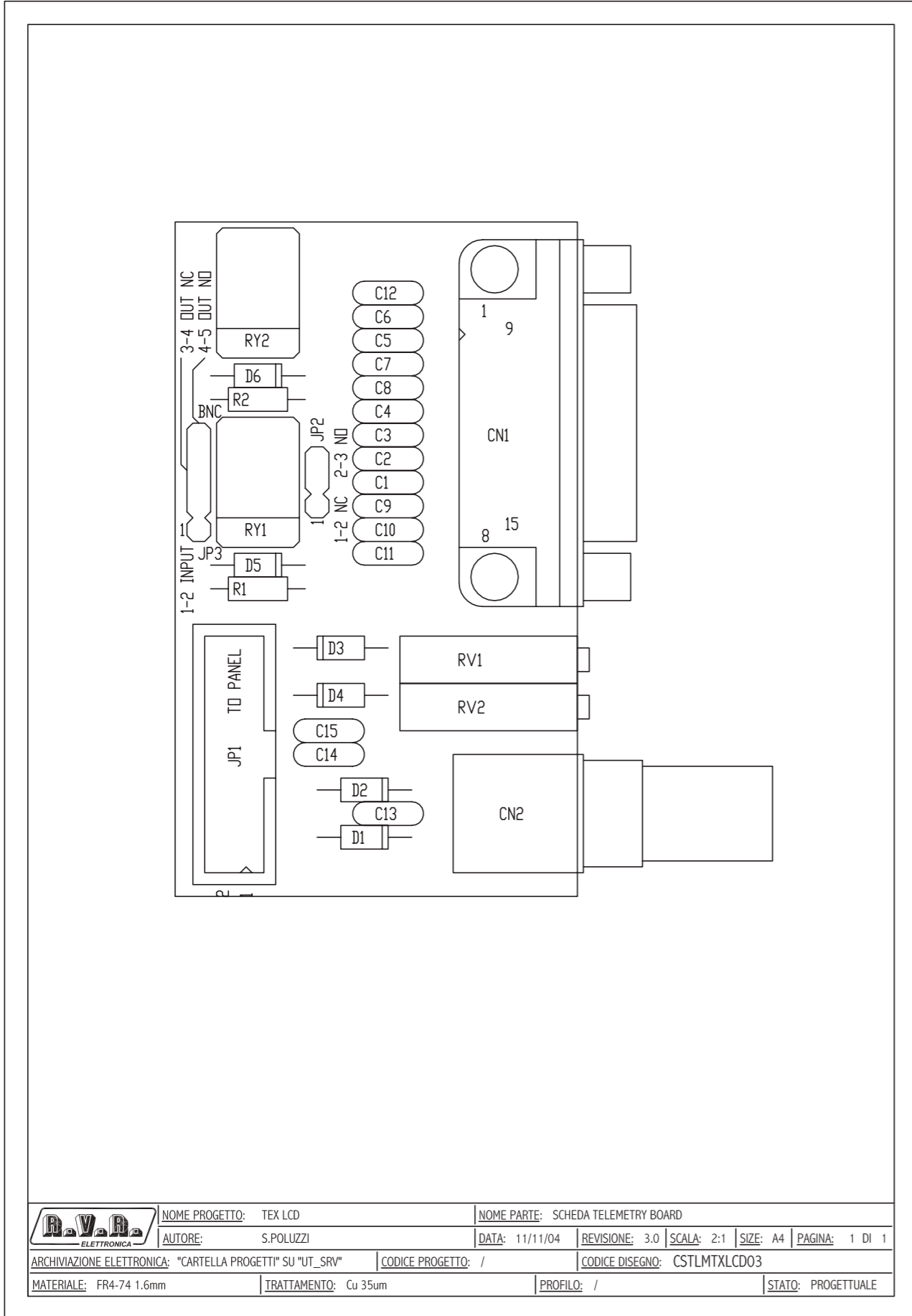
SLDCLPFPJ2K5

SCHEDA FUSE TEX/PJ 2500 SLFUSRFPJ2K5C  
 28/06/2012 Revision: 1.1  
 TEX/PJ2500  
 237

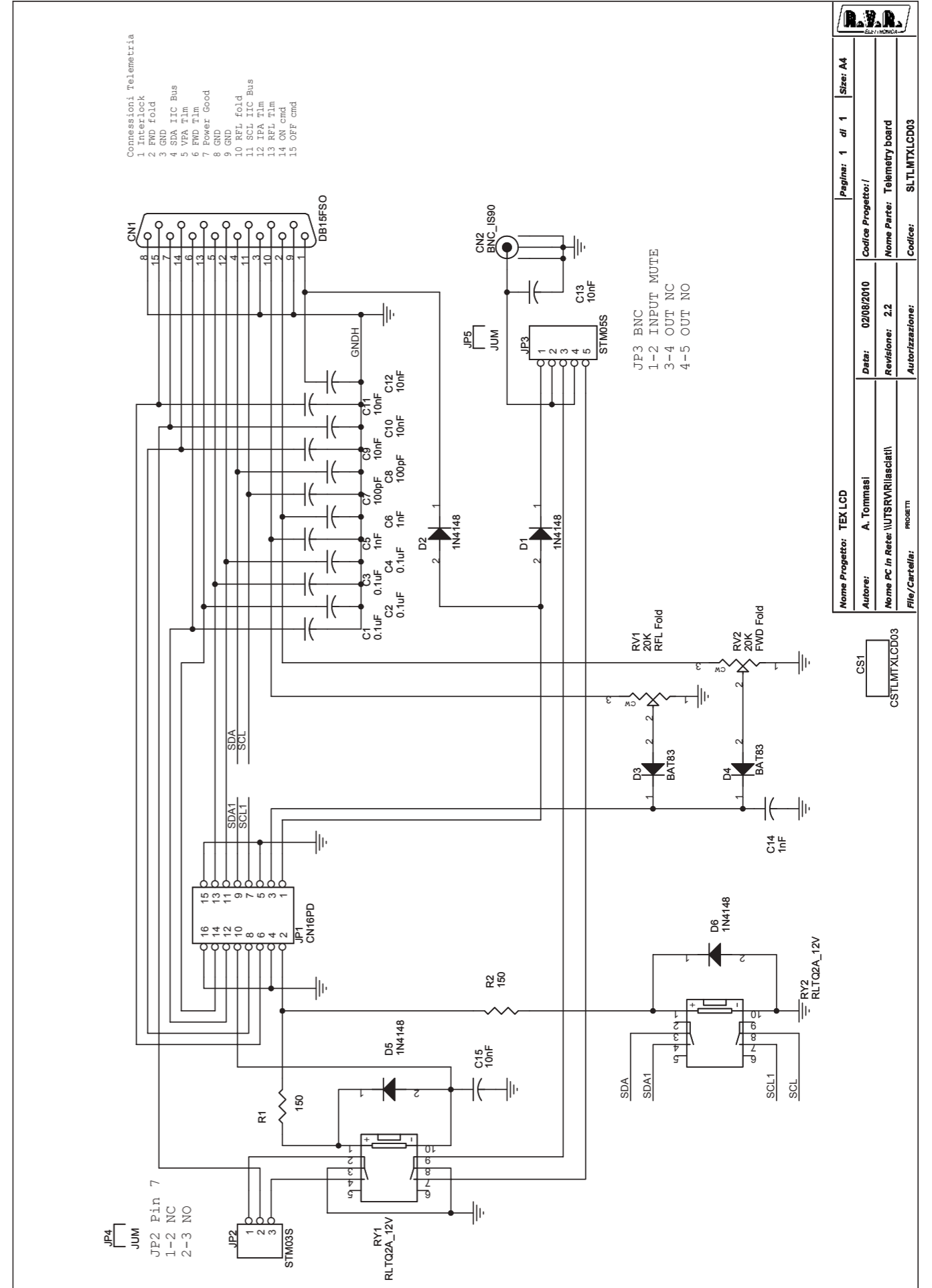
GASPERINI LUCA

Item	Quantity	Reference	Part	Cod. AS400	Description
1	5	C1, C4, C7, C13, C10	100nF	CMS104MC500	COND.MULTISTR.100NF 20% 5,08MM 50V
2	9	C2, C3, C5, C6, C8, C9, C11, C12, C15	4n7	CKM472KC600P	COND.CER. 4NF7 P5,08 10% 50V N150
3	1	C14	680 nf 63V	CPE684JC101	COND. POL. 680NF 5% 5,08MM 100V
4	5	D1, D2, D3, D4, D5	LED-G5	LEDV05	LED COLORE VERDE DIAMETRO 5MM.
5	4	F1, F2, F3, F4	10X38 25 A	FUS10X38RP25	FUSIBILE 10X38MM RAPIDO 25AMP
6					
7	1	F5	5X20 2 A	FUS5X20RP4	FUSIBILE 5X20MM RAPIDO 4AMP
8	4	PF1, PF2, PF3, PF4	PFS10X38PICS	PFS10X38PICS	PORTAFUS. A PINZA DA CS 10X38 (2 X 4PZ)
9	1	PF5	PFS5X20CS	PFS5X20CS	PORTAFUS. DA C.S. 5X20MM
10	5	R1, R2, R3, R4, R5	10K	RSM1/4F0010K	RES. STRATO METALLICO 1/4W 1% 10K
11	10	U1, U2, U3, U4, U5, U6, U7, U8, U9, U10	PAD		
12	1	CS1	CSFUSPJ1KC-2	CSFUSPJ1KC-2	CIRC.STAMP.FUSIBILI SEZ.RF PJ1KCOMP

SLTLMTXLCD03



		NOME PROGETTO: TEX LCD	NOME PARTE: SCHEDA TELEMETRY BOARD		
ARCHIVIAZIONE ELETTRONICA: "CARTELLA PROGETTI" SU "UT_SRV"		AUTORE: S.POLUZZI	DATA: 11/11/04	REVISIONE: 3.0	SCALA: 2:1
MATERIALE: FR4-74 1.6mm		TRATTAMENTO: Cu 35um	PROFILO: /	STATO: PROGETTUALE	
CODICE PROGETTO: /		CODICE DISEGNO: CSTLMTXLCD03			



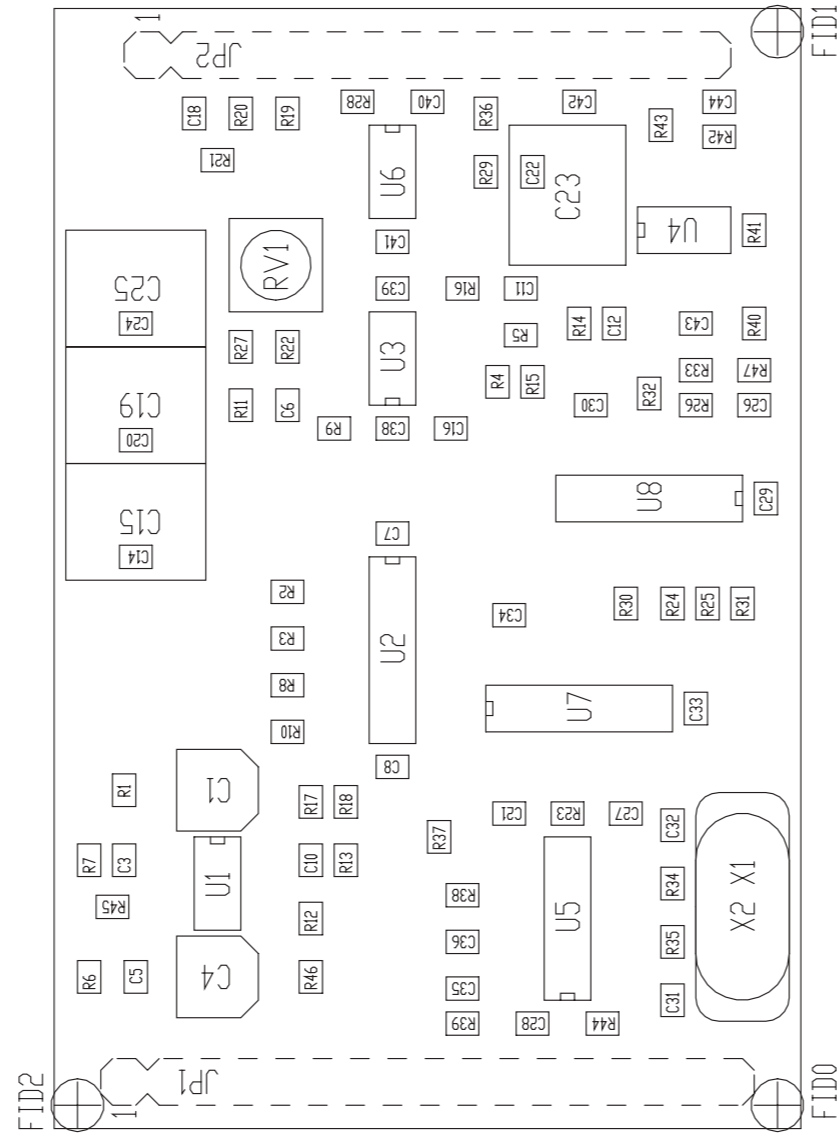
		Nome Progetto: TEX LCD		Pagina: 1 di 1	Size: A4
Autore: A. Tommasi		Data: 02/08/2010		Codice Progetto: /	
Nome PC in Rete: \UTSRV\R\asciati\		Revisione: 2.2		Nome Parte: Telemetry board	
File/Carrella: moa011		Autorizzazione:		Codice: SLTLMTXLCD03	

SLTLMTXLCD03

Telemetry board Revised: 02/08/10  
 SLTLMTXLCD03 Revision: 2.2  
 TEX-LCD/RXRL-LCD/PTRL-LCD  
 Andrea Tommasi

Item	Quantity	Reference	Part	Description
1	1	CN1	DB15FSO	Connettore DB15 femm. cs 90°
2	1	CN2	BNC_IS90	Connettore BNC metallico 90°
3	1	CS1	CSTLMTXLCD03	Circuito stampato
4	4	C1, C2, C3, C4	0.1uF	Cond. ceramico p 5mm
5	3	C5, C6, C14	1nF	Cond. ceramico p 5mm
6	2	C7, C8	100pF	Cond. ceramico p 5mm
7	6	C9, C10, C11, C12, C13, C15	10nF	Cond. ceramico p 5mm
8	4	D1, D2, D5, D6	1N4148	Diode in vetro DO35
9	2	D3, D4	BAT83	Diode Hot carrier DO35
10	1	JP1	CN16PD	Connettore 16 poli Flat cs
11	1	JP2	STM03S	Strip maschio 3 pin
12	1	JP3	STM05S	Strip maschio 5 pin
13	2	JP4, JP5	JUM	Ponticello Jumper <span style="float: right;">Nota 1</span>
14	2	RV1, RV2	20K	Trimmer Rg H 3006
15	2	RY2, RY1	RLTQ2A_12V	Rele' TQ2
15	2	R1, R2	150	Res. 1/4W

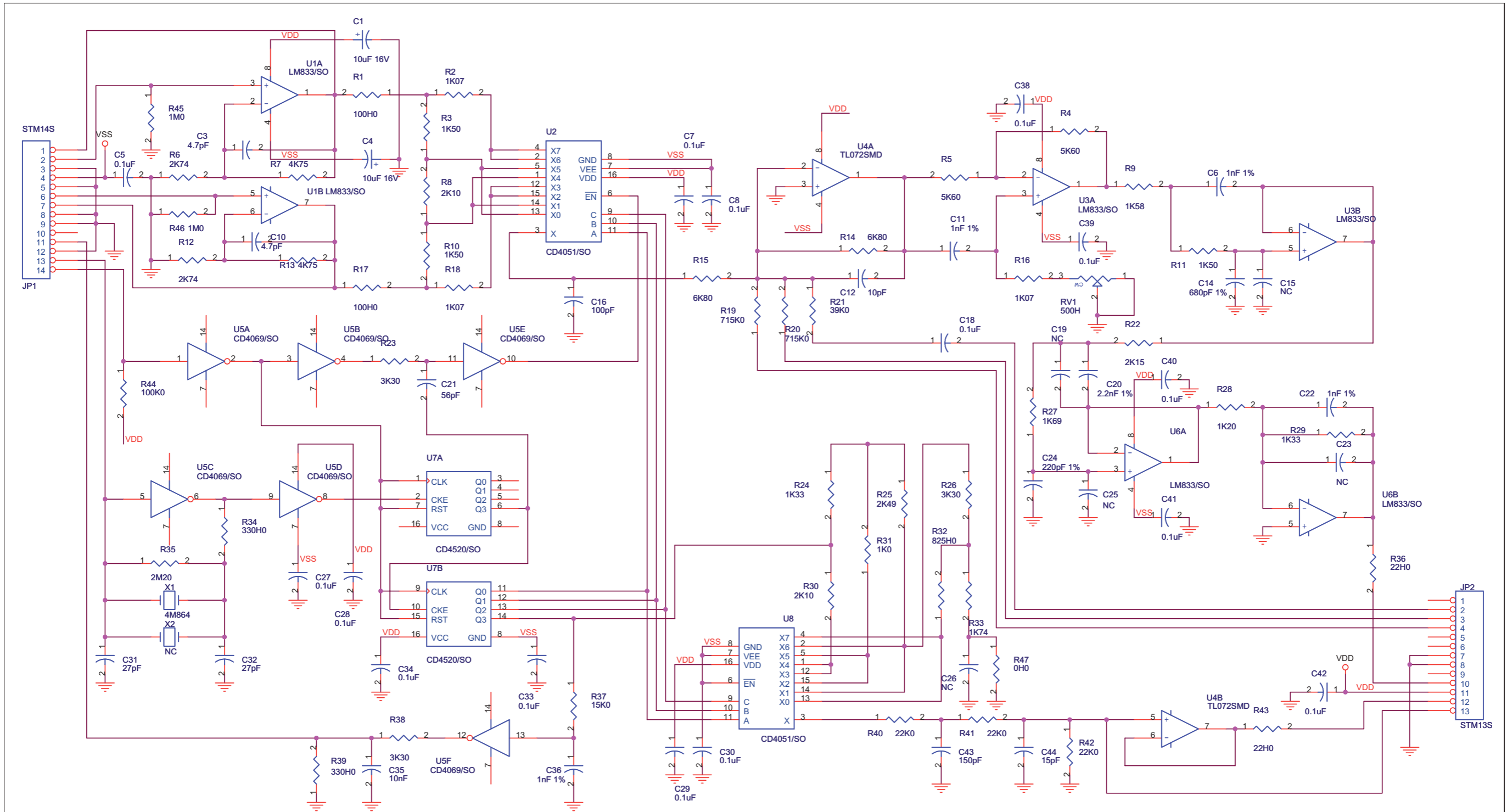
**Nota 1** Inserire i jumper in posizione:  
 2-3 in JP2  
 1-2 in JP3



	NOME PROGETTO: SCHEDA CODER STEREO CTC30	NOME PARTE: SCHEDA CODER STEREO CTC30
	AUTORE: TOMMASI	DATA: 08/04/2004
	ARCHIVIAZIONE ELETTRONICA: "CARTELLA PROGETTI" SU "UT_SRV"	REVISIONE: 1.0
	MATERIALE: FR4-74 1.6mm Cu 35um	SCALA: 2:1
		SIZE: A4
		PAGINA: 1 DI 1
		CODICE DISEGNO: SLCTC30V03
	TRATTAMENTO: STANDARD COSTRUTTORE	PROFILO: /
		STATO: ESECUTIVO



SLCTC30V03



CS1  
CSCTC30V03

Nome Progetto: Scheda coder Stereo CTC30		Pagina: 1 di 1		Size: A3
Autore: Andrea Tommasi	Data: 15/09/2005	Codice Progetto: 011		
Nome PC in Rete: \WTSRV\PROGETTI	Revisione: 1.1	Nome Parte: Scheda coder		
File/Cartella: "	Autorizzazione:	Codice: SLCTC30V03		

SLCTC30V03

Scheda coder Revised: Thursday, September 15, 2005  
 SLCTC30V03 Revision: 1.1  
 Scheda coder Stereo CTC30  
 11

Andrea Tommasi

Item	Q.ty	Reference	Part	Description	
1	1	CS1	CSCTC30V03	Circuito stampato	
2	2	C1, C4	10uF 16V	Cond. Elett. SMD d. 4mm	
3	2	C3, C10	4.7pF	Cond. SMD 0805	
4	15	C5, C7, C8, C18, C27, C28, C29, C30, C33, C34, C38, C39, C40, C41, C42	0.1uF	Cond. SMD 0805	
5	4	C6, C11, C22, C36	1nF 1%	Cond. SMD 0805 COG	Nota 1
6	1	C12	10pF	Cond. SMD 0805	
7	1	C14	680pF 1%	Cond. SMD 0805 COG	Nota 1
8	4	C15, C19, C23, C25	NC	Cond. Poliestere p 5mm (5*7mm)	
9	1	C16	100pF	Cond. SMD 0805	
10	1	C20	2.2nF 1%	Cond. SMD 0805 COG	Nota 1
11	1	C21	56pF	Cond. SMD 0805	
12	1	C24	220pF 1%	Cond. SMD 0805 COG	Nota 1
13	1	C26	NC	Cond. SMD 0805	
14	2	C31, C32	27pF	Cond. SMD 0805	
15	1	C35	10nF	Cond. SMD 0805	
16	1	C43	150pF	Cond. SMD 0805	
17	1	C44	15pF	Cond. SMD 0805	
18	1	JP1	STM14S	Strip maschio 14 pin	
19	1	JP2	STM13S	Strip maschio 13 pin	
20	1	RV1	500H	Trimmer SMD	
21	2	R1, R17	100H0	Res. SMD 0805	
22	3	R2, R16, R18	1K07	Res. SMD 0805	
23	3	R3, R10, R11	1K50	Res. SMD 0805	
24	2	R4, R5	5K60	Res. SMD 0805	
25	2	R6, R12	2K74	Res. SMD 0805	
26	2	R7, R13	4K75	Res. SMD 0805	
27	2	R8, R30	2K10	Res. SMD 0805	
28	1	R9	1K58	Res. SMD 0805	
29	2	R14, R15	6K80	Res. SMD 0805	
30	2	R19, R20	715K0	Res. SMD 0805	
31	1	R21	39K0	Res. SMD 0805	
32	1	R22	2K15	Res. SMD 0805	
33	3	R23, R26, R38	3K30	Res. SMD 0805	
34	2	R24, R29	1K33	Res. SMD 0805	
35	1	R25	2K49	Res. SMD 0805	
36	1	R27	1K69	Res. SMD 0805	
37	1	R28	1K20	Res. SMD 0805	
38	1	R31	1K0	Res. SMD 0805	
39	1	R32	825H0	Res. SMD 0805	
40	1	R33	1K74	Res. SMD 0805	
41	2	R34, R39	330H0	Res. SMD 0805	
42	1	R35	2M20	Res. SMD 0805	
43	2	R36, R43	22H0	Res. SMD 0805	
44	1	R37	15K0	Res. SMD 0805	
45	3	R40, R41, R42	22K0	Res. SMD 0805	
46	1	R44	100K0	Res. SMD 0805	
47	2	R45, R46	1M0	Res. SMD 0805	
48	1	R47	0H0	Res. SMD 0805	
49	3	U1, U3, U6	LM833/SO	Dual Op. SMD SO8	
50	2	U2, U8	CD4051/SO	Analog Switch SMD SO16	
51	1	U4	TL072SMD	Dual Op. SMD SO8	
52	1	U5	CD4069/SO	Hex inverter SO14	
53	1	U7	CD4520/SO	Dual binary counter	Nota 2
54	1	X1	4M864	Quarzo SMD HC49SMD	
55	1	X2	NC	Quarzo HC18	

<b>Nota 1</b>	Attenzione COG vanno bene anche al 2%
<b>Nota 2</b>	Non montare PHILIPS
	Tutte le resistenze vanno al 1%
	Tutti i condensatori dove il valore lo consente vogliono NP0