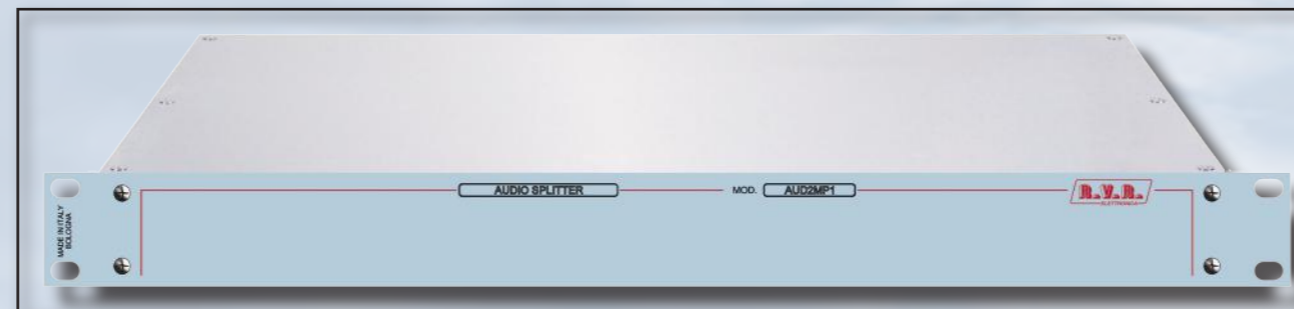




AUD2MP1

TECHNICAL ANNEX
VOLUME 2



Appendix A Piani di montaggio, schemi elettrici, liste componenti / *Component layouts, schematics, bills of material*

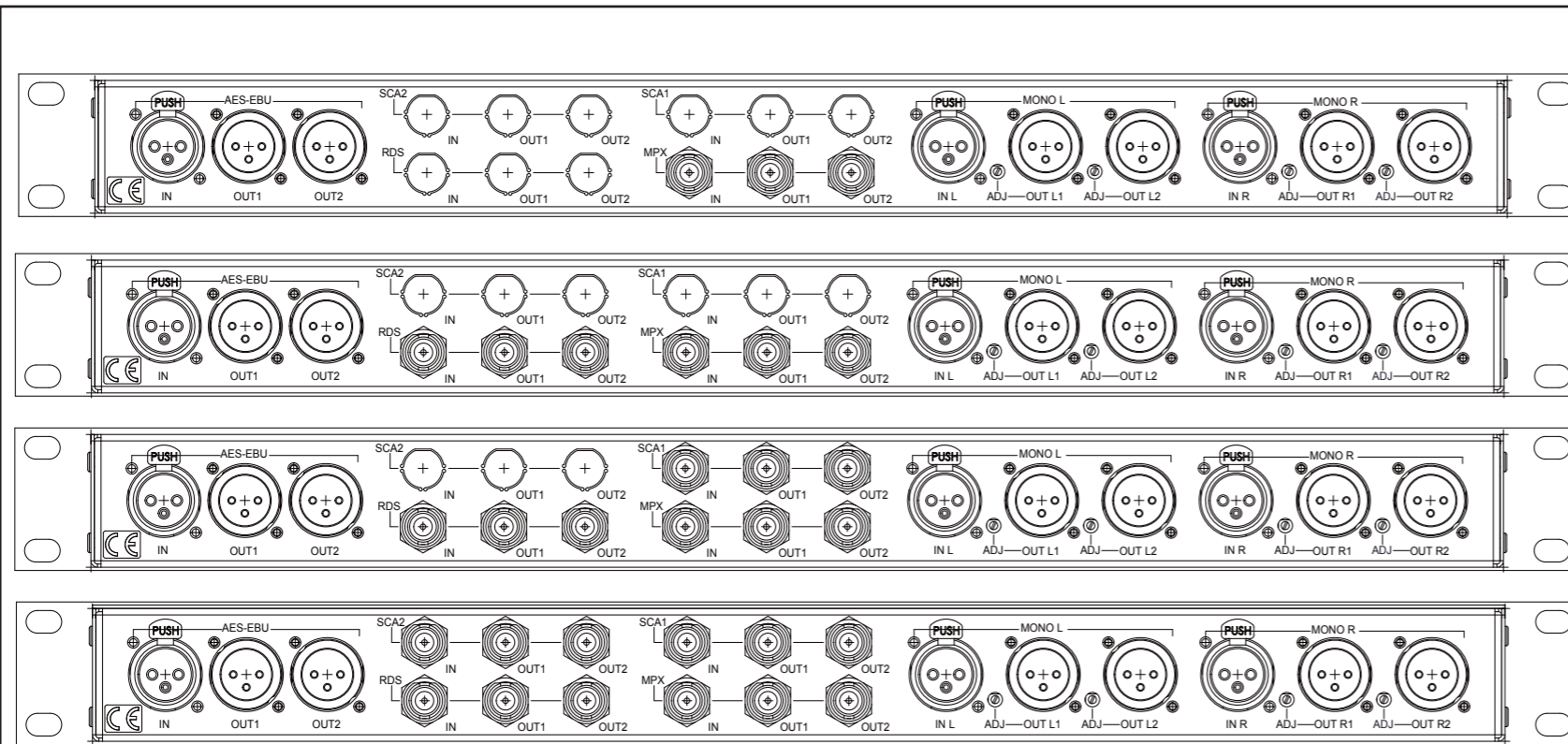
Questa parte del manuale contiene i dettagli tecnici riguardanti la costruzione delle singole schede componenti il AUD2MP1. L'appendice è composta dalle seguenti sezioni:

This part of the manual contains the technical details about the different boards of the AUD2MP1. This appendix is composed of the following sections:

Description	RVR Code	Vers.	Page
Wiring Diagrams	/	1.0	1
AES/EBU Distributor Card	SLAU0422R01V01	1.0	2
Audio Distributor Card	SLAU0421R01V01	1.0	4
Composite Audio Distributor Card	SLAU0420R01V01	1.0	6

Document History

Date	Version	Reason	Code	Editor
05/11/2014	1.0	First Release	/	J.H. Berti
20/11/2014	1.1	Wiring diagrams & AES/EBU Distributor Card Upgrades	/	J.H. Berti
10/07/2015	1.2	Harware Upgrades	/	J.H. Berti

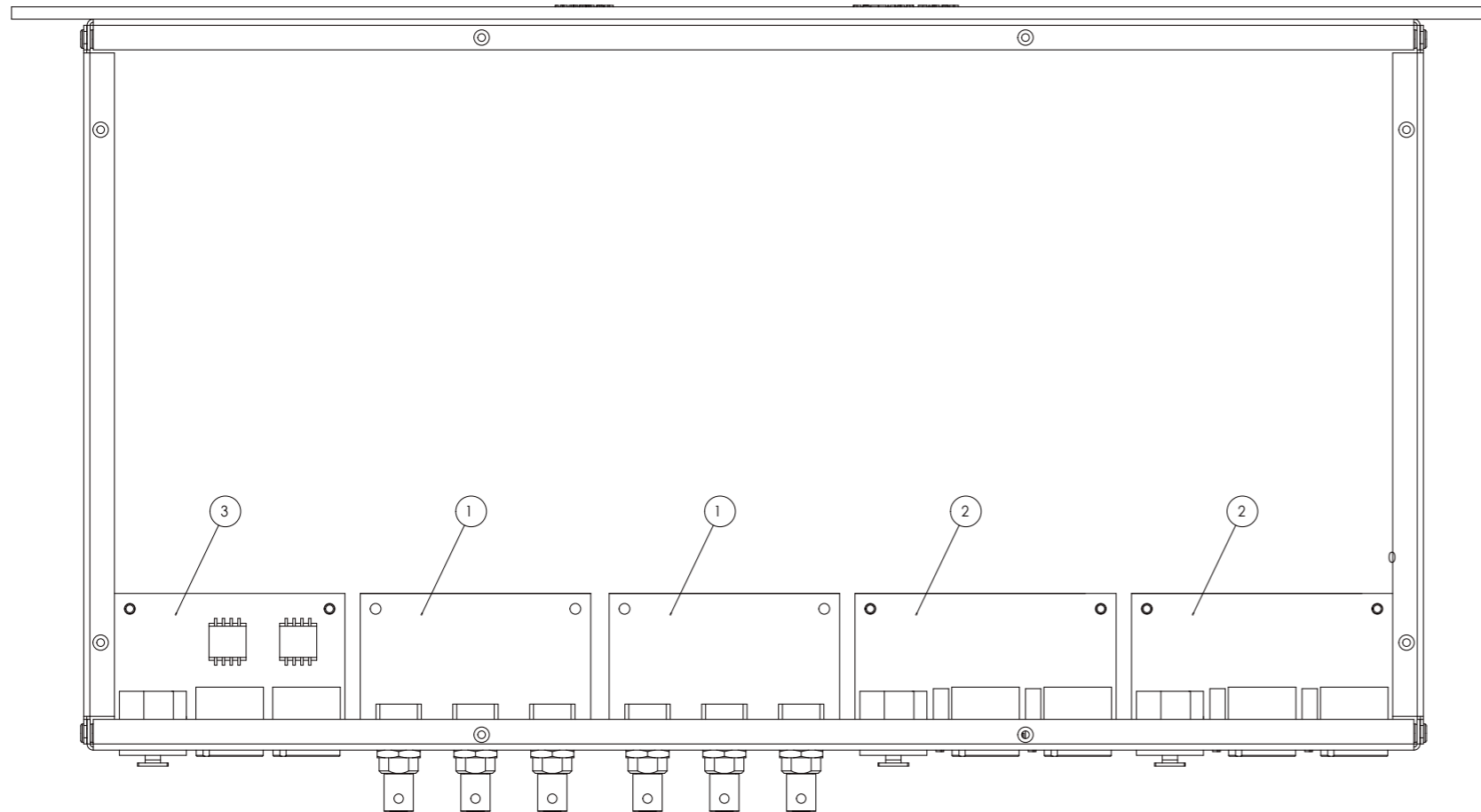


AUD2MP1/V1

AUD2MP1/V2

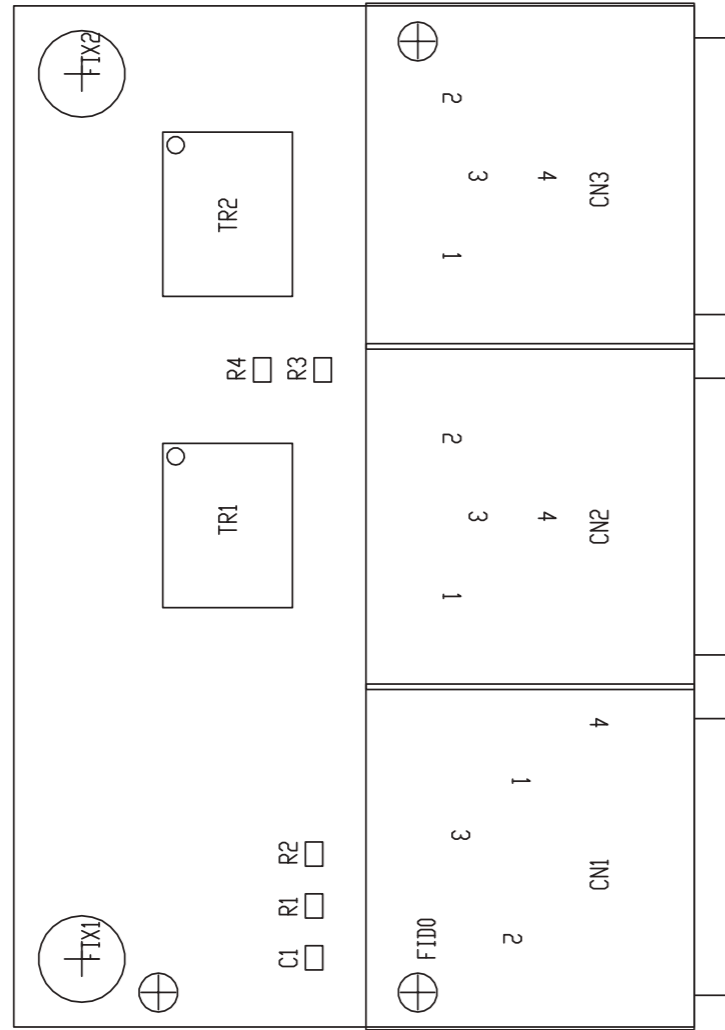
AUD2MP1/V3

AUD2MP1/V4

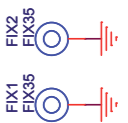
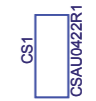
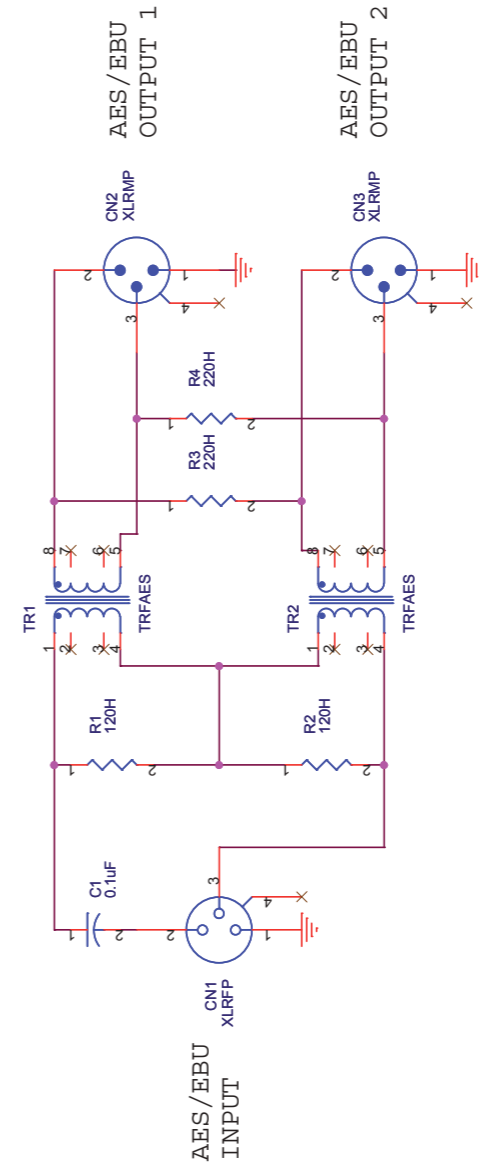


N°	Description	AUD2MP1/V1 Quantity	AUD2MP1/V2 Quantity	AUD2MP1/V3 Quantity	AUD2MP1/V4 Quantity
1	COMPOSITE AUDIO DISTRIBUTOR CARD	1	2	3	4
2	AUDIO DISTRIBUTOR CARD	2	2	2	2
3	AES/EBU DISTRIBUTOR CARD	1	1	1	1

SLAU0422R01V01



DESCRIPTION : SEM.SCH. 2 WAY PASSIVE AES/EBU SPLIT
 DESIGNER : A. FRANCESCHI
 PART CODE : SLAU0422R01V01
 DATE: 18/02/2015 | REVISION: 1.0 | SCALE: 2:1 | SIZE: A4 | PAGINA: 1 DI 1



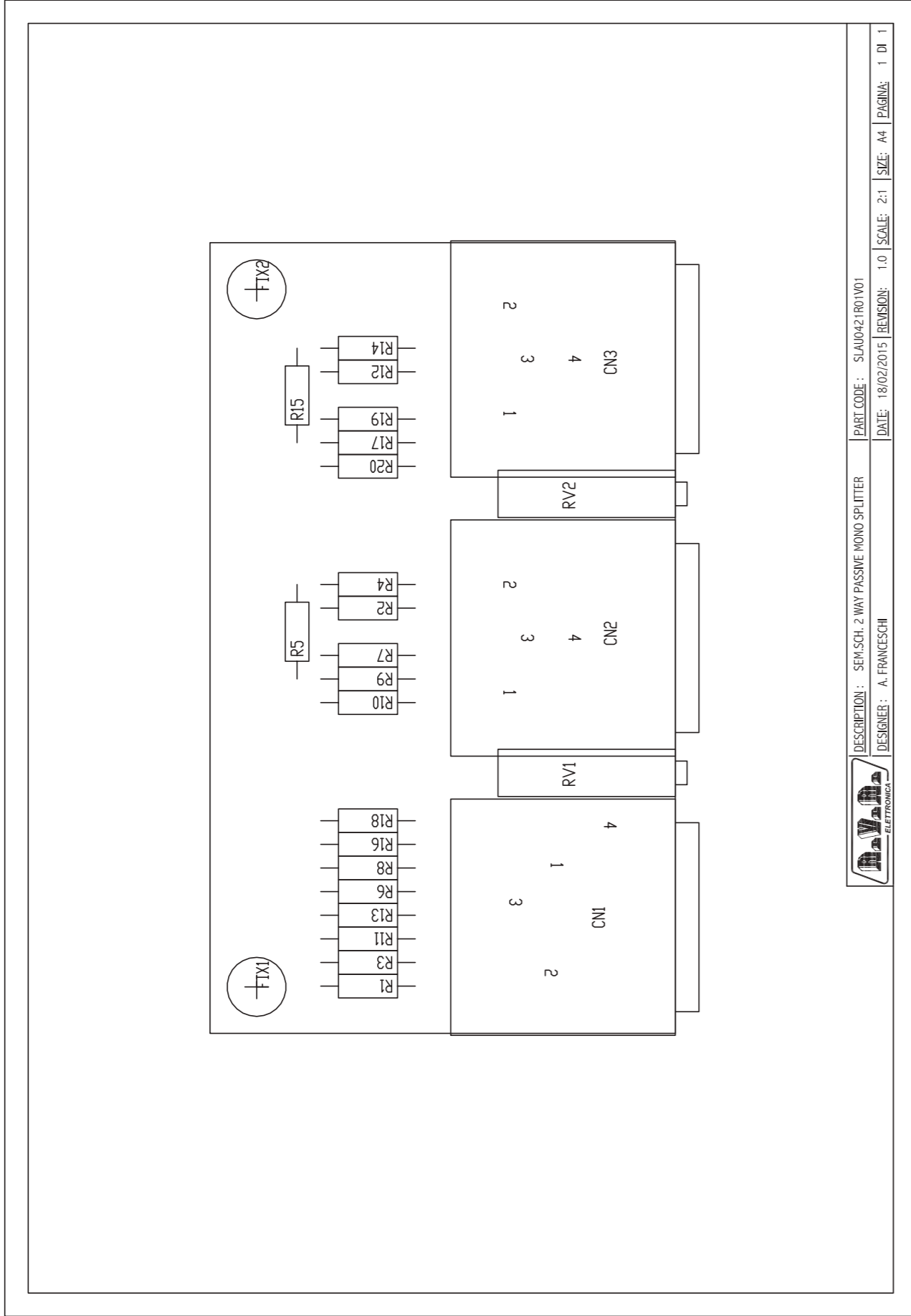
Description: 2 way passive AES/EBU splitter
 Designer: A. Franceschi
 Part No.: SLAU0422R01V01
 Size: A4
 Page: 1 of 1
 Rev. 1.0
 Date: 05/11/2014

SLAU0422R01V01

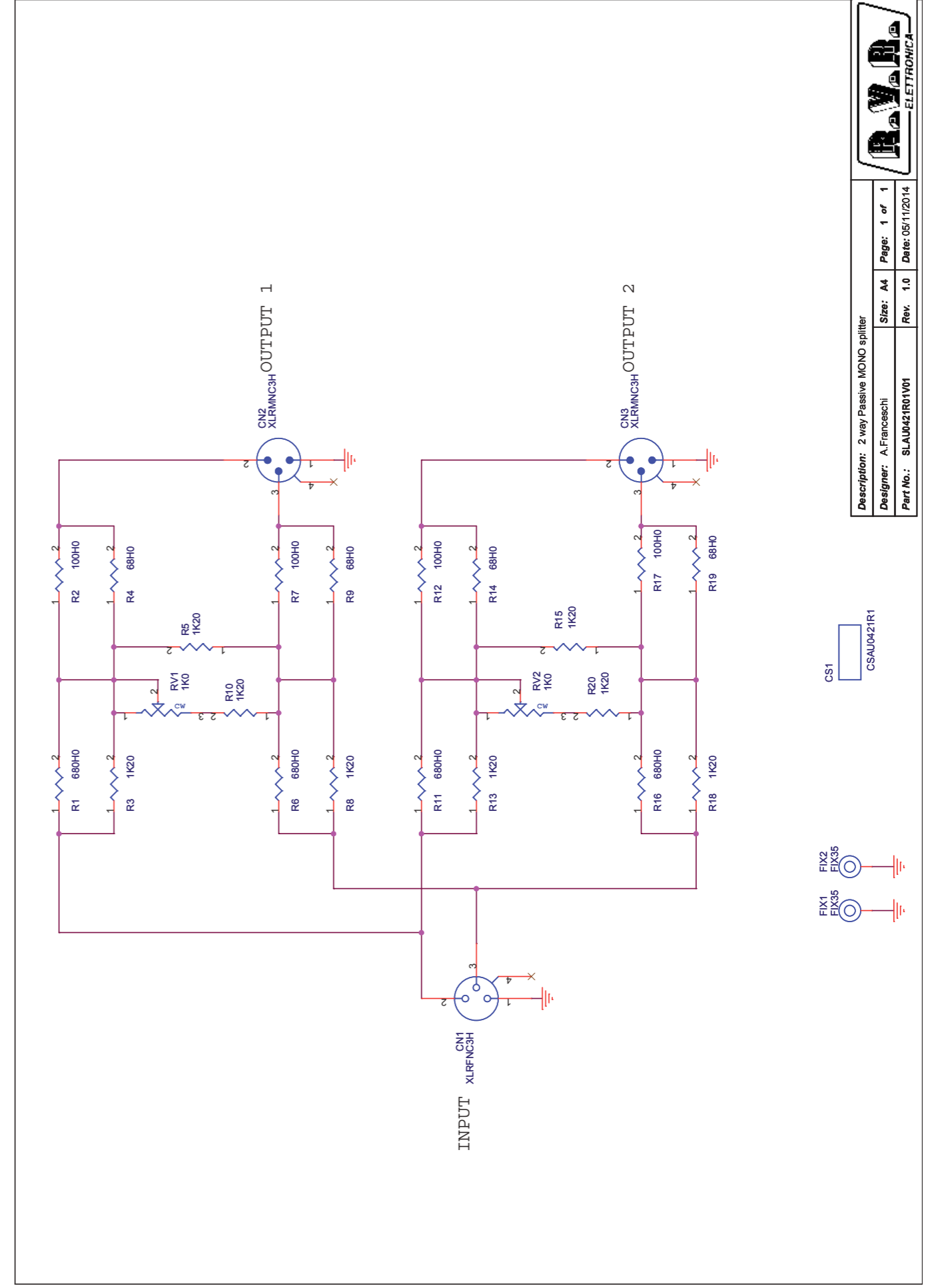
2 way passive AES/EBU splitter Revised: Wednesday, December 10, 2014
 SLAU0422R01V01 Revision: 1.0
 A. Franceschi

Item	Quantity	Reference	Part	Description	Code
1	1	CN1	XLRFP	Connettore XLR NC3 femm. cs 90°	CNTXLRFCS3A
2	2	CN2, CN3	XLRMP	Connettore XLR NC3 mas. cs 90°	CNTXLRMCS3A
3	1	CS1	CSAU0422R1	Circuito stampato	CSAU0422R1
4	1	C1	0.1uF	Cond. SMD 0805	CCC085104KXC
5	2	FIX1, FIX2	FIX35	Foro fissaggio 3.5mm	
6	2	R1, R2	120H	Res. SMD 0805 1%	RCH085F0120H
7	2	R3, R4	220H	Res. SMD 0805 1%	RCH085F0220H
8	2	TR1, TR2	TRFAES	Trasf. SMD AES/EBU	TRFPE65812

SLAU0421R01V01



DESCRIPTION : SEMISCH. 2 WAY PASSIVE MONO SPLITTER
 DESIGNER : A. FRANCESCHI
 PART CODE : SLAU0421R01V01
 DATE: 18/02/2015 | REVISION: 1.0 | SCALE: 2:1 | SIZE: A4 | PAGINA: 1 DI 1



CS1
CSAU0421R1

FIX1
FIX35

Description: 2 way Passive MONO splitter
 Designer: A.Franceschi
 Part No.: SLAU0421R01V01
 Size: A4
 Page: 1 of 1
 Rev. 1.0
 Date: 05/11/2014

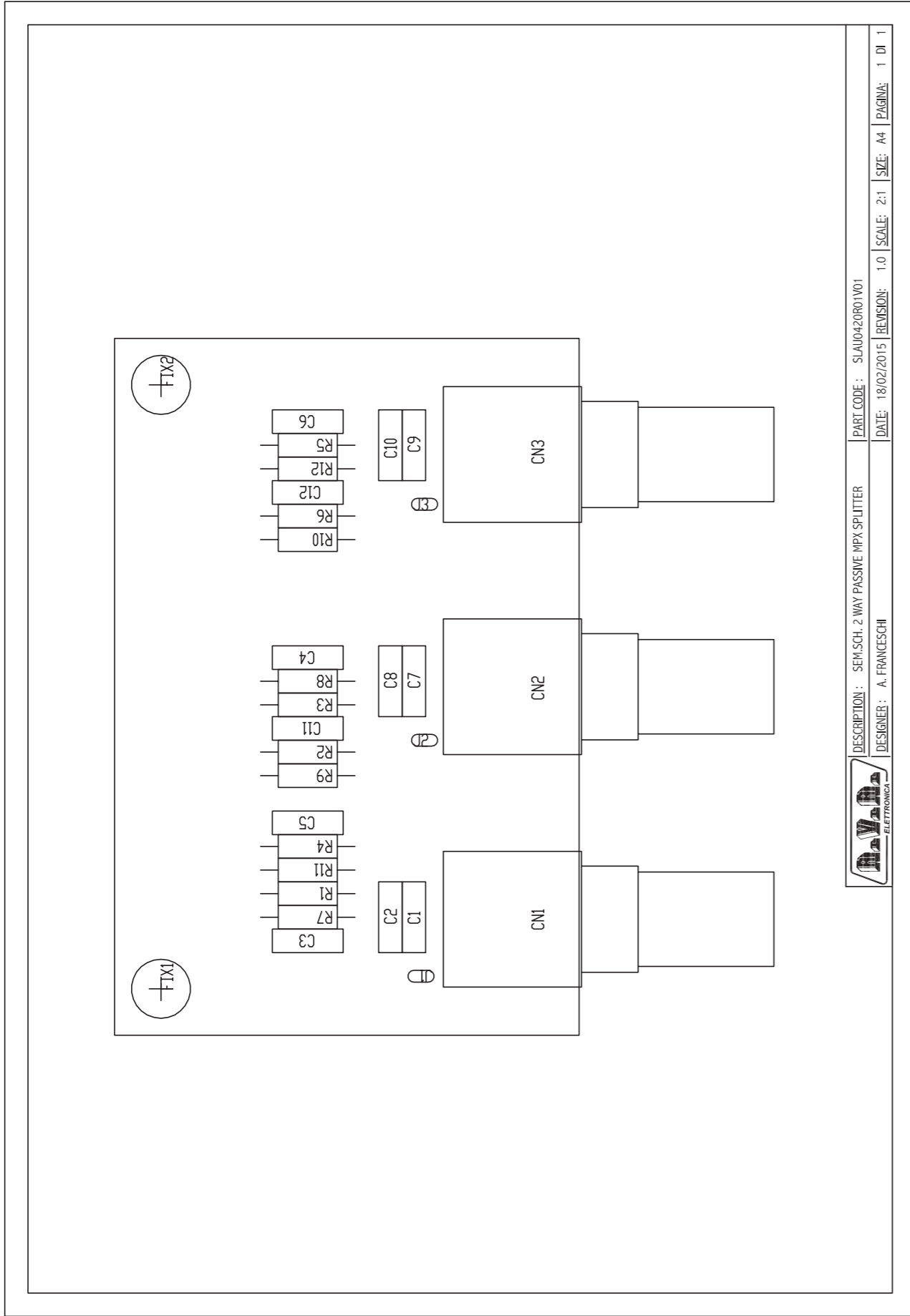


SLAU0421R01V01

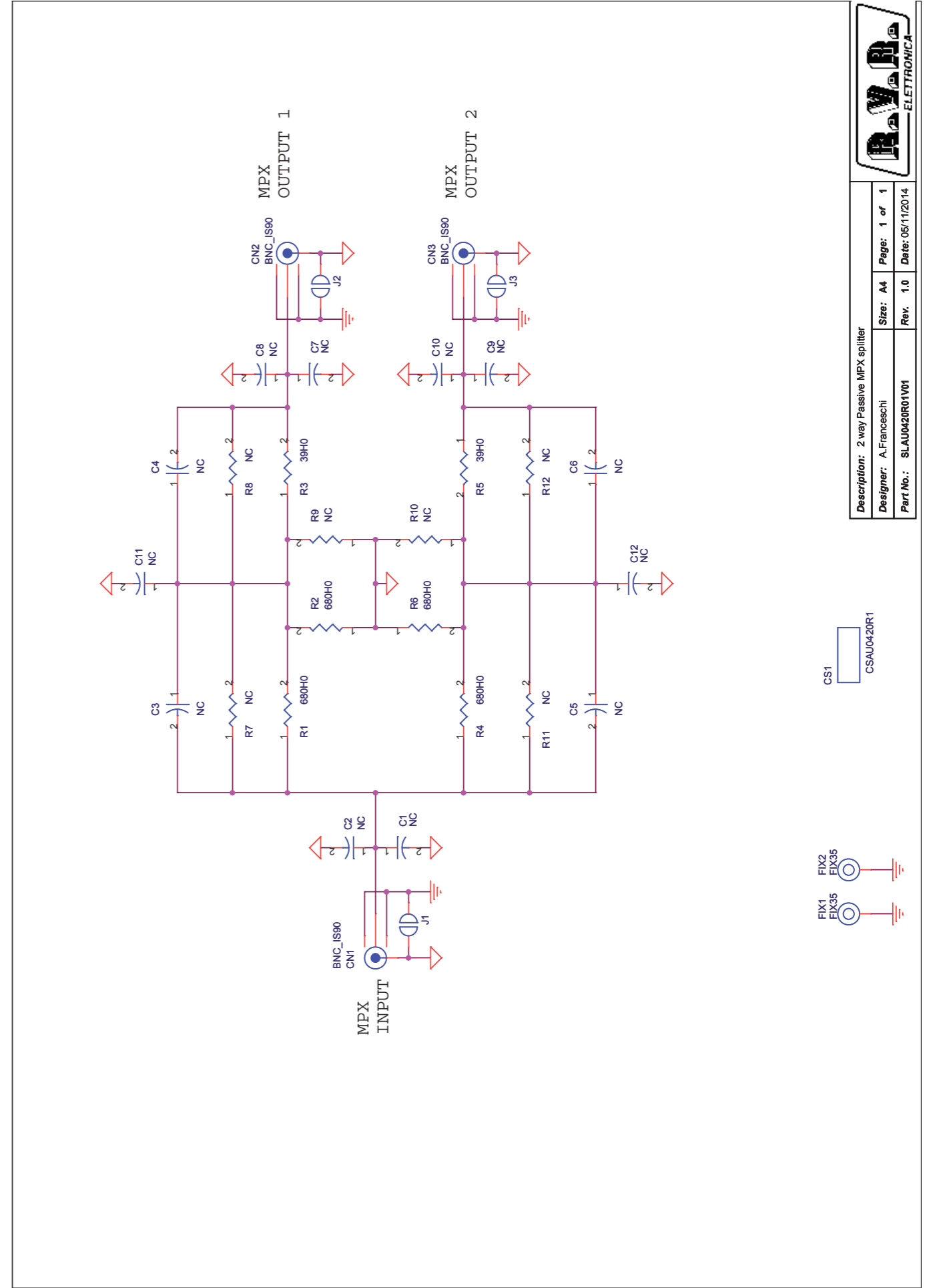
2 way Passive MONO splitter Revised: Thursday, November 06, 2014
 SLAU0421R01V01 Revision: 1.0
 A.Franceschi

Item	Quantity	Reference	Part	Description	Code
1	1	CN1	XLRFNC3H	Connettore XLR NC3 femm. cs 90°	CNTXLRFC3A
2	2	CN2, CN3	XLRMNC3H	Connettore XLR NC3 mas. cs 90°	CNTXLRMCS3A
3	1	CS1	CSAU0421R1	Circuito	CSAU0421R1
4	2	FIX1, FIX2	FIX35	Foro fissaggio 3.5mm	
5	6	R1, R5, R6, R11, R15, R16	680H0	Res. 1/4W	RSM1/4F0680H
6	4	R2, R7, R12, R17	100H0	Res. 1/4W	RSM1/4F0100H
7	4	R3, R8, R13, R18	1K20	Res. 1/4W	RSM1/4F001K2
8	4	R4, R9, R14, R19	68H0	Res. 1/4W	RSM1/4F0068H

SLAU0420R01V01

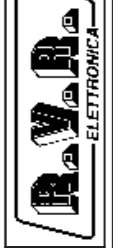


DESCRIPTION : SEMISCH. 2 WAY PASSIVE MPX SPLITTER
 DESIGNER : A. FRANCESCHI
 PART CODE : SLAU0420R01V01
 DATE: 18/02/2015 | REVISION: 1.0 | SCALE: 2:1 | SIZE: A4 | PAGINA: 1 DI 1



CS1 CSAU0420R1
 FIX1 FIX35
 FIX2 FIX35

Description: 2 way Passive MPX splitter	
Designer: A.Franceschi	Page: 1 of 1
Part No.: SLAU0420R01V01	Rev. 1.0
	Date: 05/11/2014



SLAU0420R01V01

2 way Passive MPX splitter Revised: Thursday, November 06, 2014
 SLAU0420R01V01 Revision: 1.0
 A.Franceschi

Item	Quantity	Reference	Part	Description	Code
1	3	CN1, CN2, CN3	BNC_IS90	Connettore BNC isolato 90°	CNTBNCFCSPIA
2	1	CS1	CSAU0420R1	Circuito	CSAU0420R1
3	12	C1, C2, C3, C4, C5, C6, C7, C8, C9, C10, C11, C12	NC	Cond. Poliestere p 5mm	
4	2	FIX1, FIX2	FIX35	Foro fissaggio 3.5mm	
5	3	J1, J2, J3	JPSALD	Jumper a saldare	
6	4	R1, R2, R4, R6	680H0	Res. 1/4W	RSM1/4F0680H
7	2	R3, R5	39H0	Res. 1/4W	RSM1/4F0039H
8	6	R7, R8, R9, R10, R11, R12	NC	Res. 1/4W	