

---

---

# BLUES 30



## User Manual Volume 2: Technical Appendix

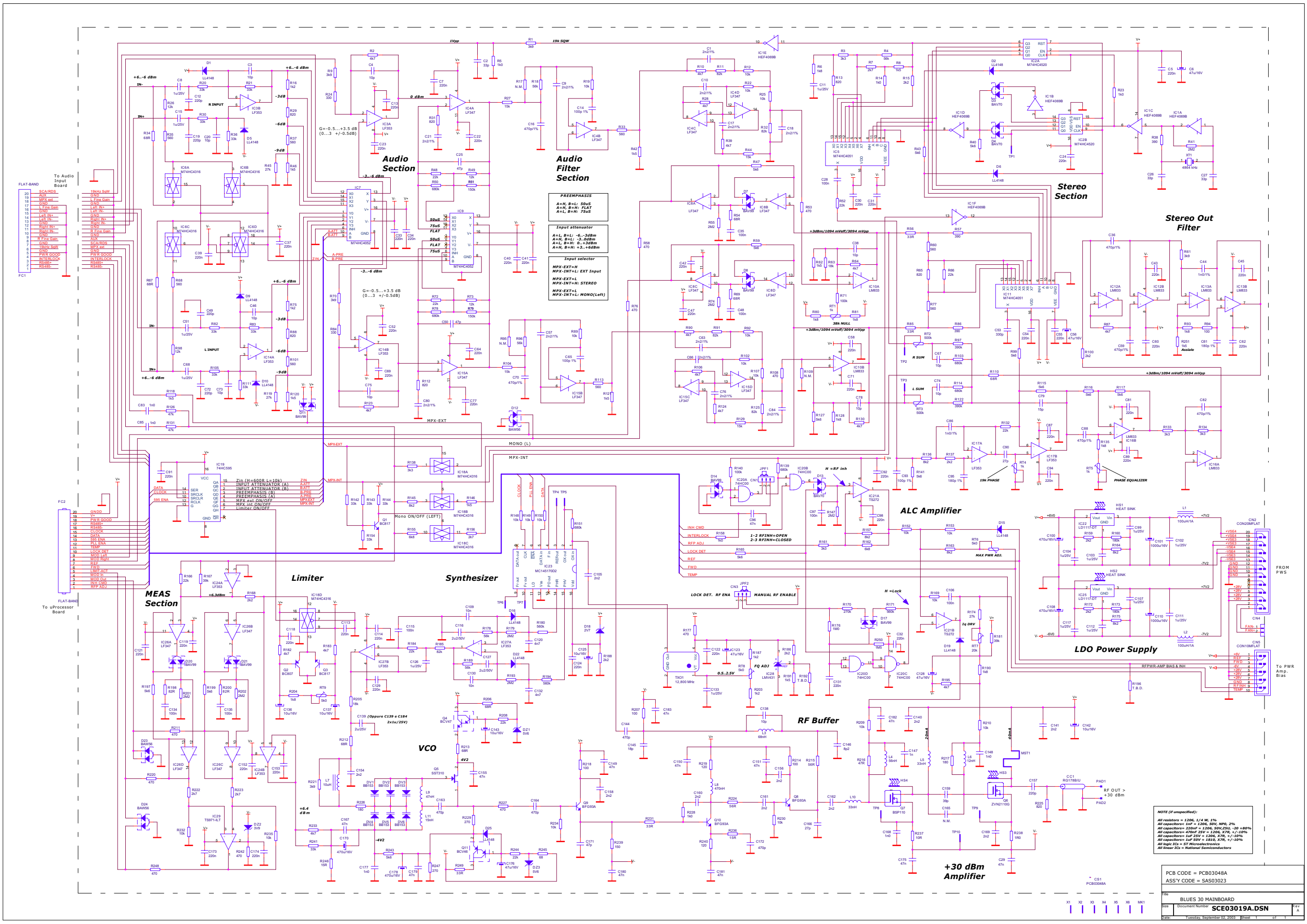
## **Appendix A Piani di montaggio, schemi elettrici, liste componenti / *Component layouts, schematics, bills of material***

Questa parte del manuale contiene i dettagli tecnici riguardanti la costruzione delle singole schede componenti il BLUES 30. L'appendice è composta dalle seguenti sezioni:

*This part of the manual contains the technical details about the different boards of the BLUES 30. This appendix is composed of the following sections:*

Description	RVR Code	Vers.	Pages
Connector Board	SAS03025	1.1	1
Main Board	SAS03023	1.1	2
Logic Board	SAS03024	1.1	4
Amplifier Board	SAS03022	1.1	6
Directional Coupler	SAS03022	1.1	7
Power Supply	SAS03026	1.1	8





NOTE (if unspecified):  
 All resistors = 1206, 1/4 W, 1%  
 All capacitors = 1206, 50V, 10%, 2%  
 All capacitors = 220pf = 1206, 50V, 25%, 20 - 80%  
 All capacitors = 470pF = 1206, 50V, 2%, 10%  
 All capacitors = 1uF 25V = 1206, 50V, +/-10%  
 All capacitors = 1uF 50V = 1810, 50V, +/-10%  
 All logic ICs = ST Microelectronics  
 All linear ICs = National Semiconductors

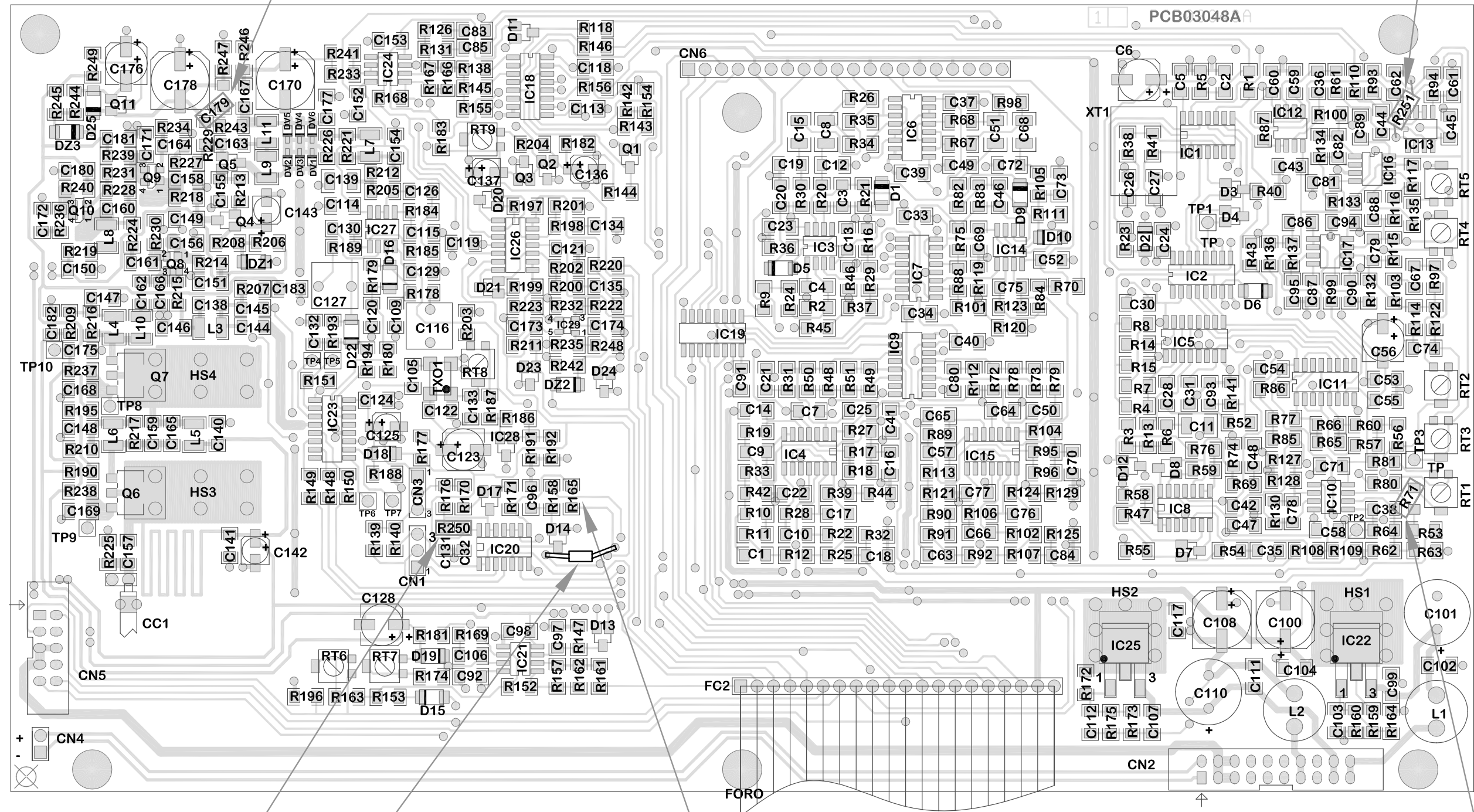
PCB CODE = PCB03048A  
 ASSY CODE = SA503023

BLUES 30 MAINBOARD	
Doc	Document Number SCE03019A.DSN
Date	Tuesday, September 27, 2005 10:41:01 AM

# REFERENCE

Posizionare C179 da 47n come indicato

Montare R251 da 1k5 Assiale - LATO INF



Aggiungere R250 da 1M5

5K6 Assiale

R165 = N.M.

Ruotare R71 in modo tale da portare il suo pad inferiore sul pad destro di C38

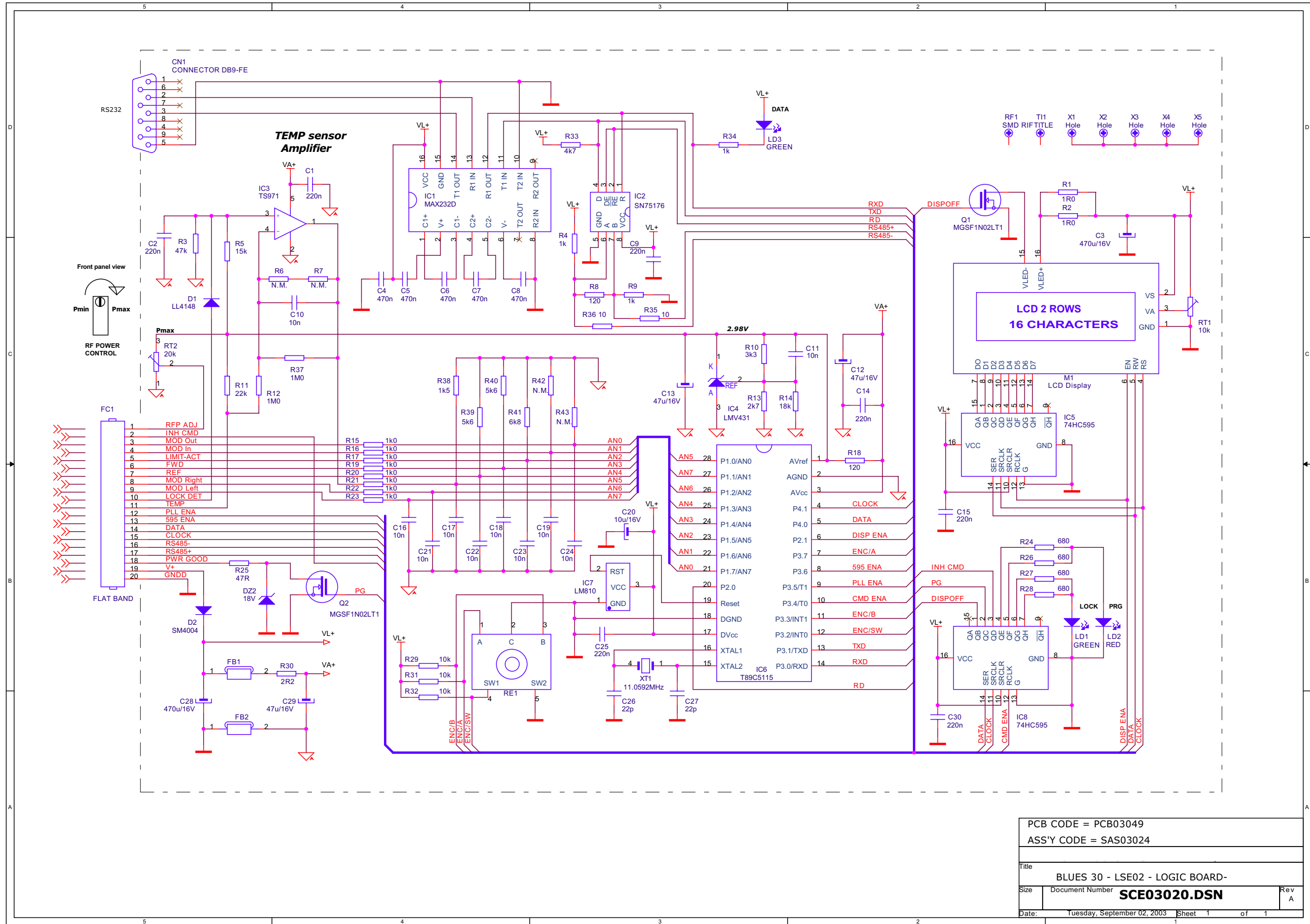
Aggiungere C184 su C139  
1u/25V (se C139 = 1u/25V)  
N.M. (se C139 = 2u/25V)

**NOTA: Eventualmente aggiungere C29 - 47n**

09/09/2003 14.40.15, CAD\_1

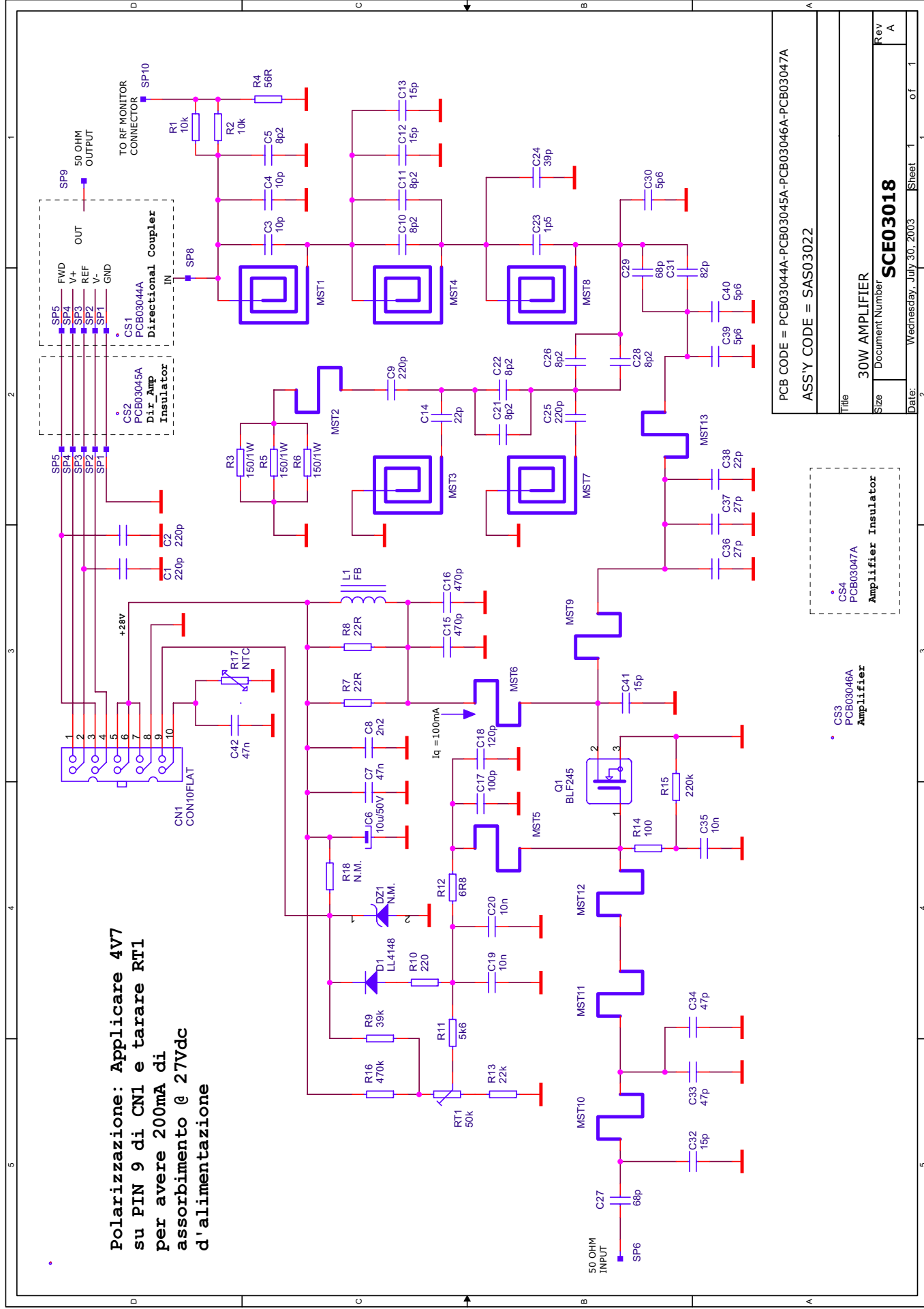
Doc. Description	LAYOUT	Drawing	date	01/07/03
Product	BLUES 30	Checked	-	date
Title	Mainboard	Vers.	A	Date
Assembly Code	SAS03023	Vers.	-	Date
PCB Code	PCB03048A	Drw Code	LYT03029	

DON'T REPRODUCE THIS DOCUMENT WITHOUT OUR AUTHORIZATION : ALL RIGHTS RESERVED



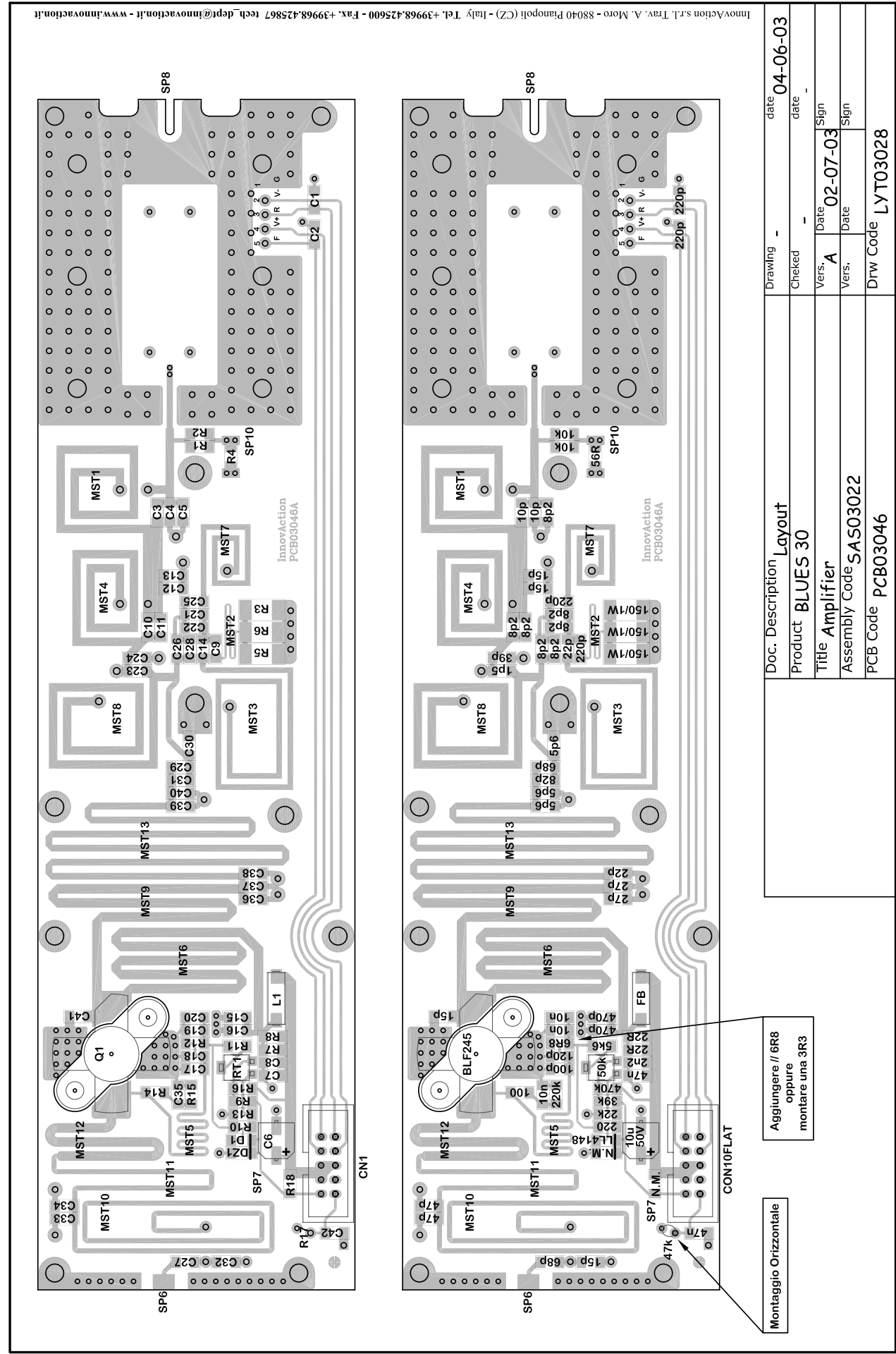
PCB CODE = PCB03049	
ASS'Y CODE = SAS03024	
Title BLUES 30 - LSE02 - LOGIC BOARD-	
Size	Document Number <b>SCE03020.DSN</b>
Date:	Tuesday, September 02, 2003 Sheet 1 of 1





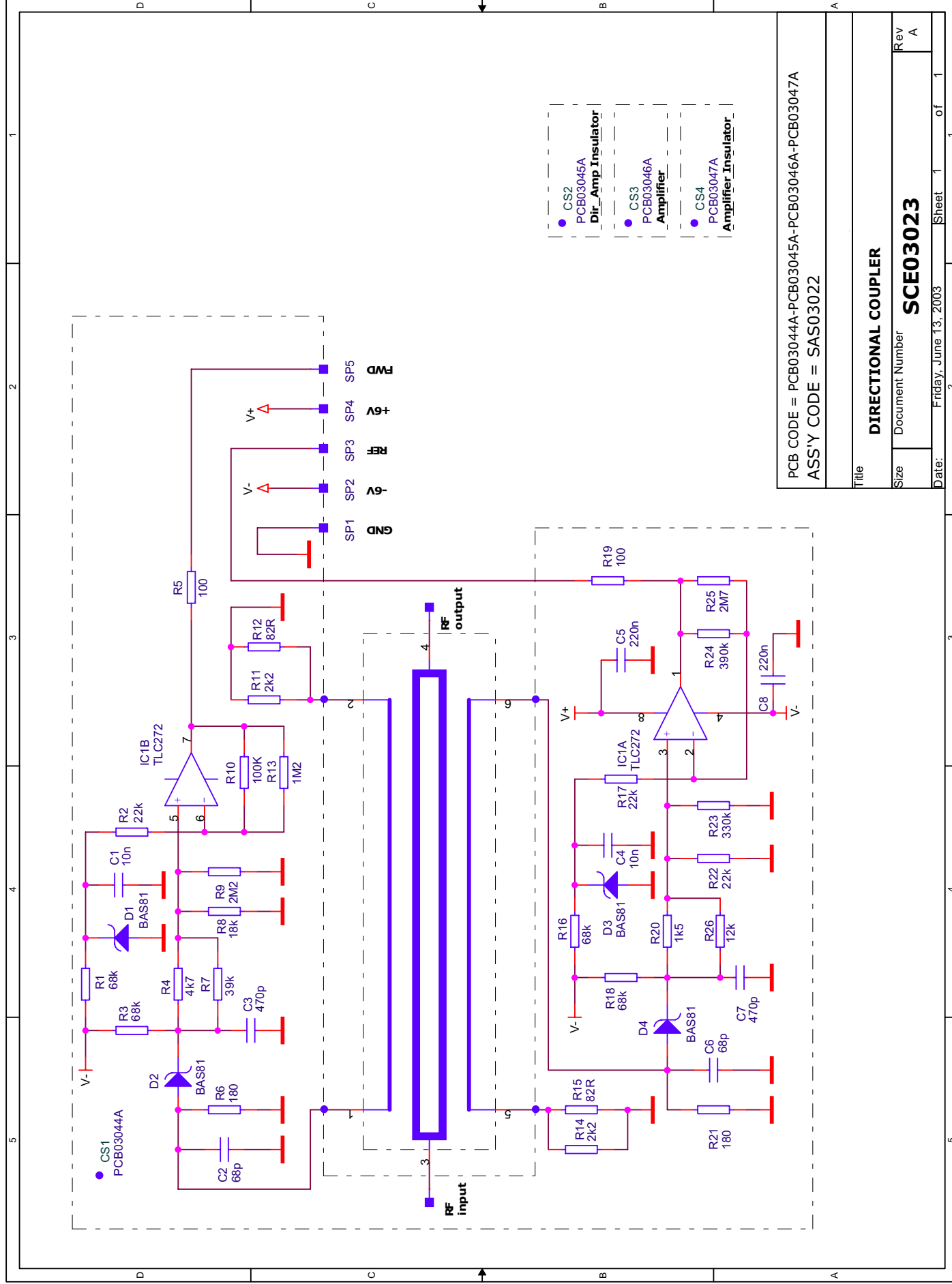
PCB CODE = PCB03044A-PCB03045A-PCB03046A-PCB03047A  
 ASS'Y CODE = SAS03022

Title	30W AMPLIFIER
Size	Document Number
Date:	Wednesday, July 30, 2003
Sheet	1 of 1
Rev	A

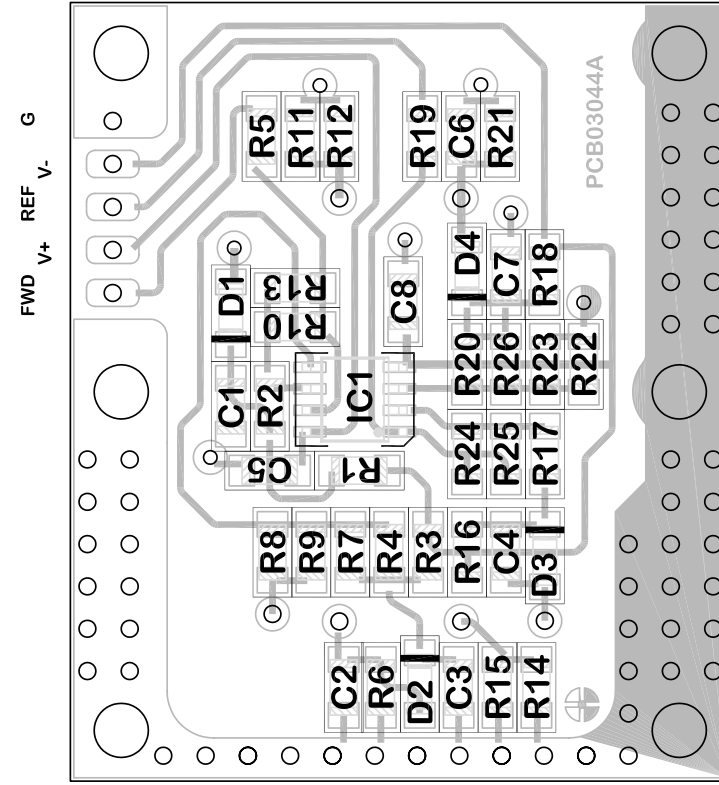


Doc. Description	Layout	date	04-06-03
Product	BLUES 30	Checked	
Title	Amplifier	Vers.	A
Assembly Code	SAS03022	Date	02-07-03
PCB Code	PCB03046	Sign	
		Date	
		Sign	
		DRW Code	LYT03028

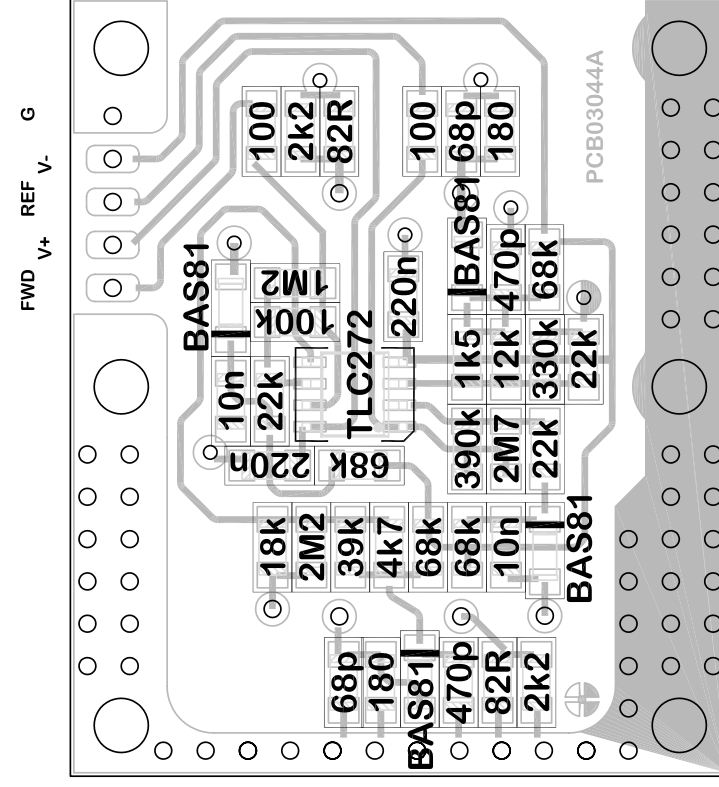




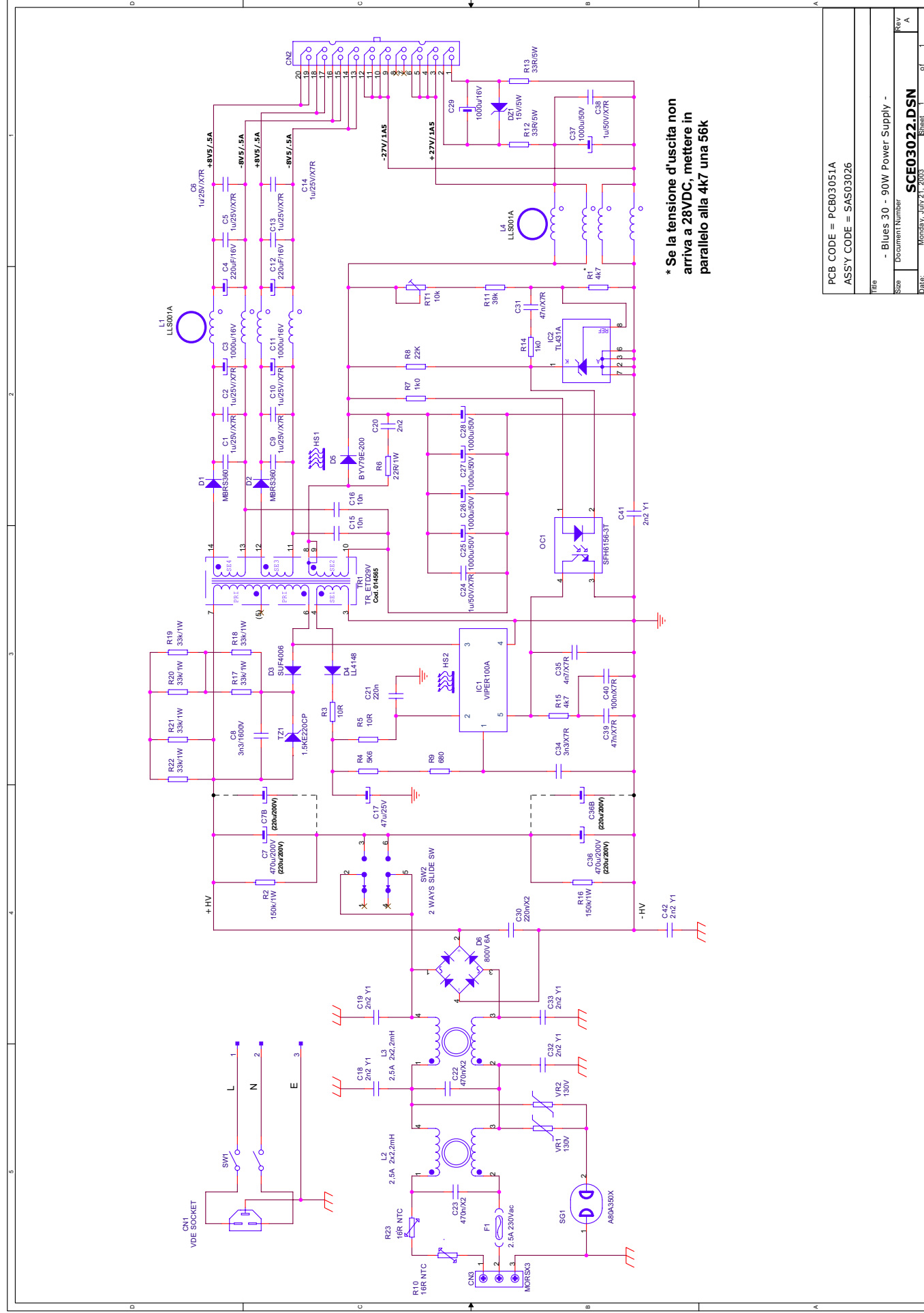
LAYOUT (REFERENCE)



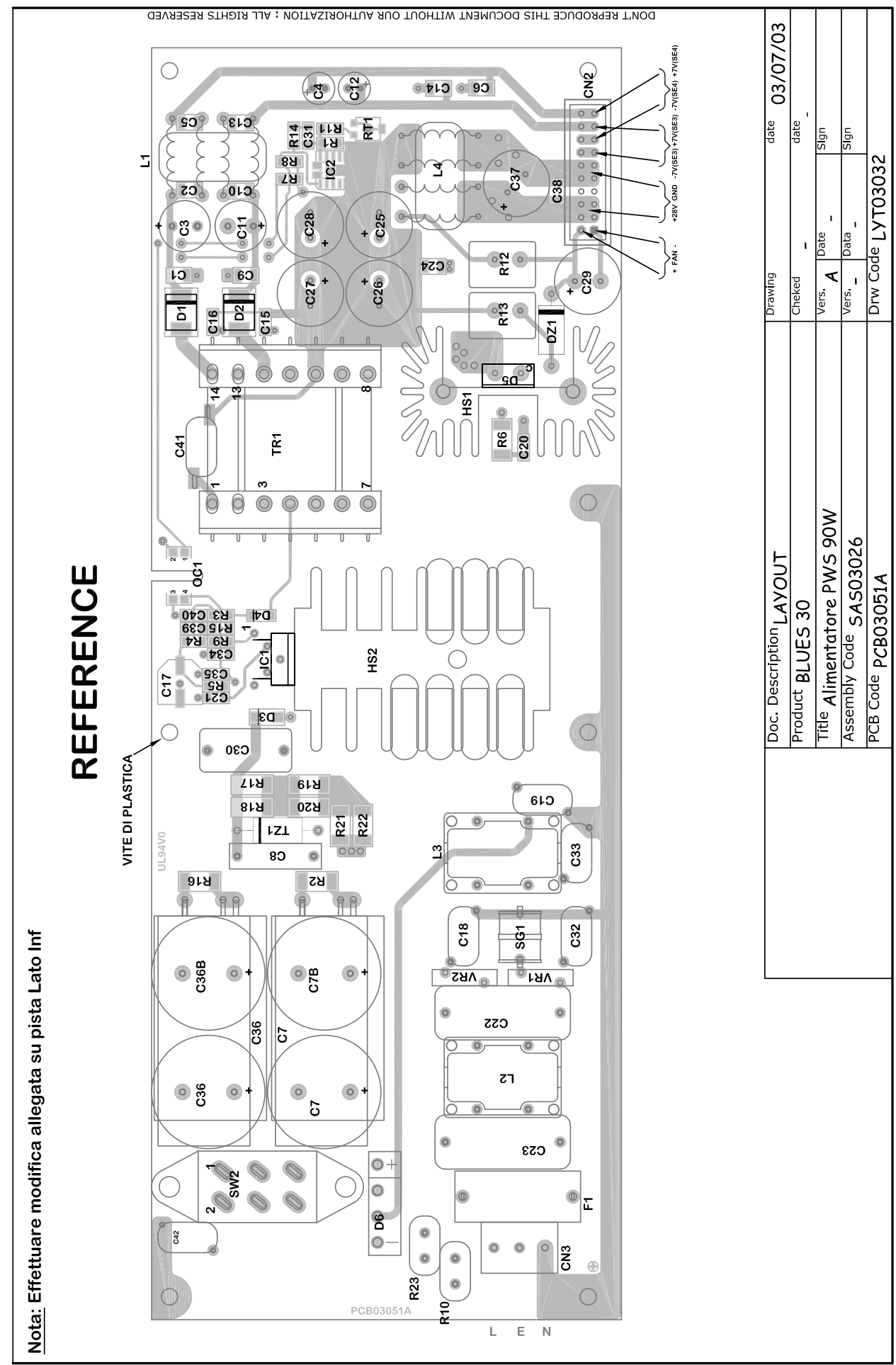
LAYOUT (VALUE)



Doc. Description	Layout	Drawing	date	02-07-03
Product	BLUES 30	Checked	date	
Title	Directional Coupler Amplifier	Ver:	Date	02-07-03
Assembly Code	SAS03023	Ver:	Date	
PCB Code	PCB03044	Drw Code	LYT03027	



PCB CODE = PCB03051A	
ASSY CODE = SAS03026	
REV	DATE
01	14/09/2003
Document Number: <b>SCE03022.DSN</b>	
Title: Blues 30 - 90W Power Supply -	
REV	DATE
01	14/09/2003



**Nota:** Effettuare modifica allegata su pista Lato Inf

Doc. Description	LAYOUT	Drawing	date	03/07/03
Product	BLUES 30	Checked	date	-
Title	Alimentatore PWS 90W	Vers.	A	Sign
Assembly Code	SAS03026	Vers.	-	Sign
PCB Code	PCB03051A	Drw Code	LYT03032	