
BLUES30NV



User Manual Volume 2: Technical Appendix

Appendix A Piani di montaggio, schemi elettrici, liste componenti / *Component layouts, schematics, bills of material*

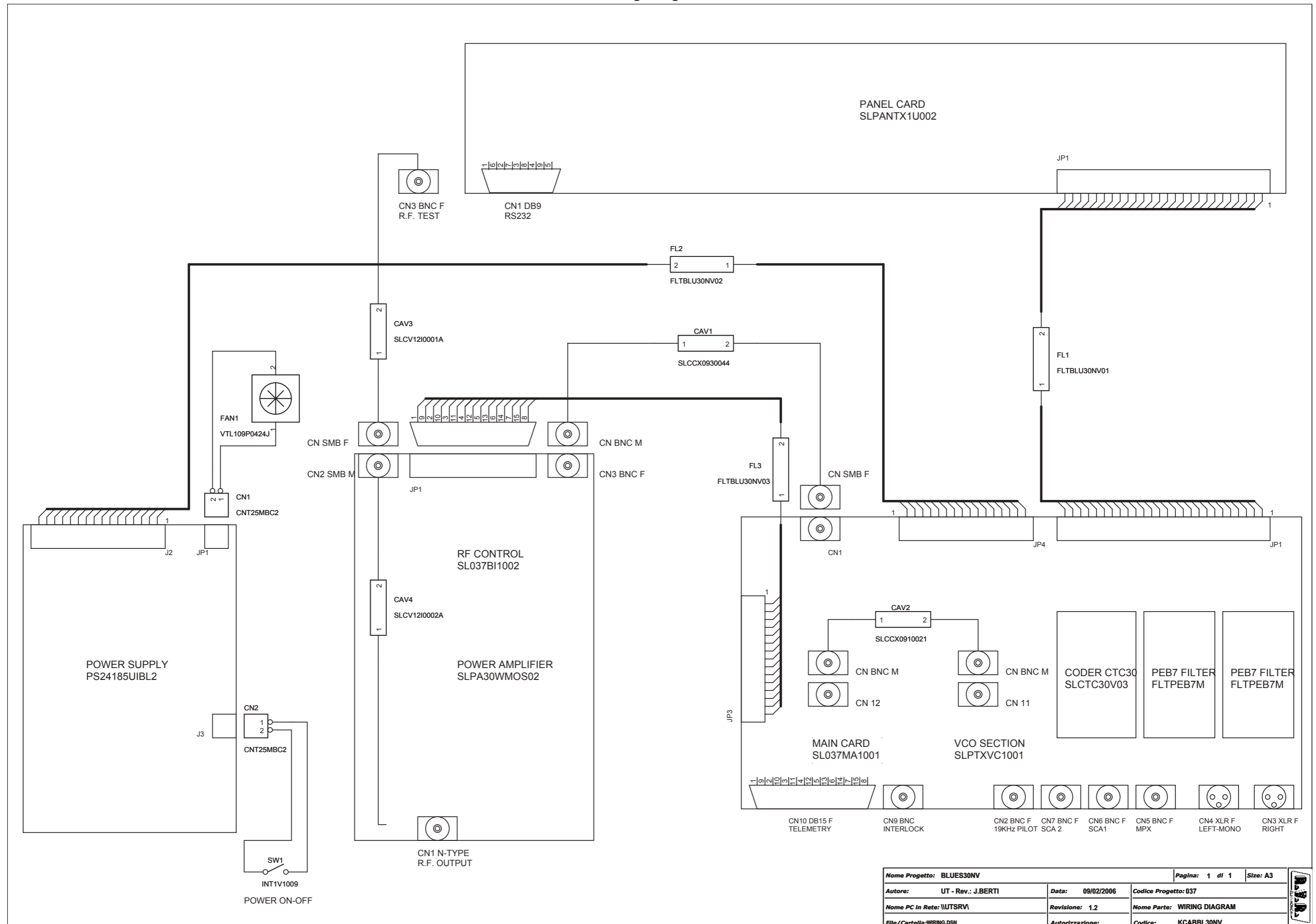
Questa parte del manuale contiene i dettagli tecnici riguardanti la costruzione delle singole schede componenti il BLUES30NV. L'appendice è composta dalle seguenti sezioni:

This part of the manual contains the technical details about the different boards of the BLUES30NV. This appendix is composed of the following sections:

Description	RVR Code	Vers.	Page
Wiring Diagrams	KCABBL30NV	1.1	1
Main Card	SL037MA1001	1.1	3
Control Card	SL037BI1002	1.2	10
Power Amplifier	SLPA30WMOS02	1.0	13
VCO Section	SLPTXVC1001	2.1	16
Panel Card	SLPANTX1U002	1.0	18
Power Supply	PS24185UIBL2	2.0	21

Document History

Date	Version	Reason	Code	Editor
31/05/05	1.0	First Release in A3 Format	N.D.	J.H. Berti
07/11/05	1.1	VCO, Power Amplifier & Main Card Upgrade	RM0705/RM0805/RM1305	J.H. Berti
09/02/2006	1.2	SL037MA1001 Card Upgrade	RM0606	J.H. Berti
13/07/2006	1.3	SLPANTX1U002 and SL037MA1001 Card	RM1306/RM1706	J.H. Berti



Nome Progetto: BLUES30NV		Pagina: 1 di 1	Size: A3
Autore: UT - Rev.: J.BERTI	Data: 09/02/2006	Codice Progetto: 037	
Nome PC in Rete: \UTSRV\	Revisione: 1.2	Nome Parte: WIRING DIAGRAM	
File/ Cartella: WIRING.DSN	Autorizzazione:	Codice: KCABL30NV	

WIRING DIAGRAM Revised: 09/02/2006

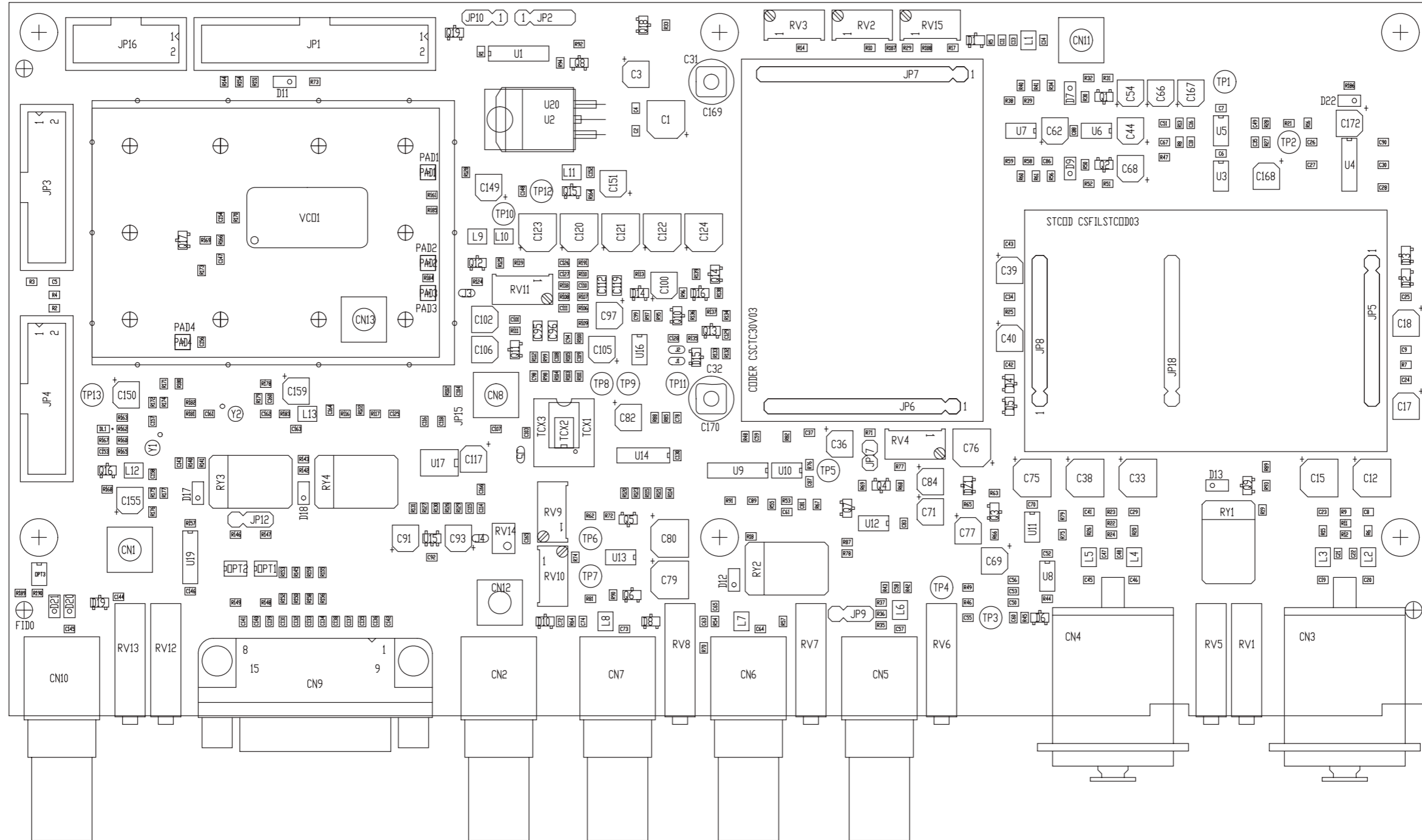
KCABBL30NV Revision: 1.2

BLUES30NV

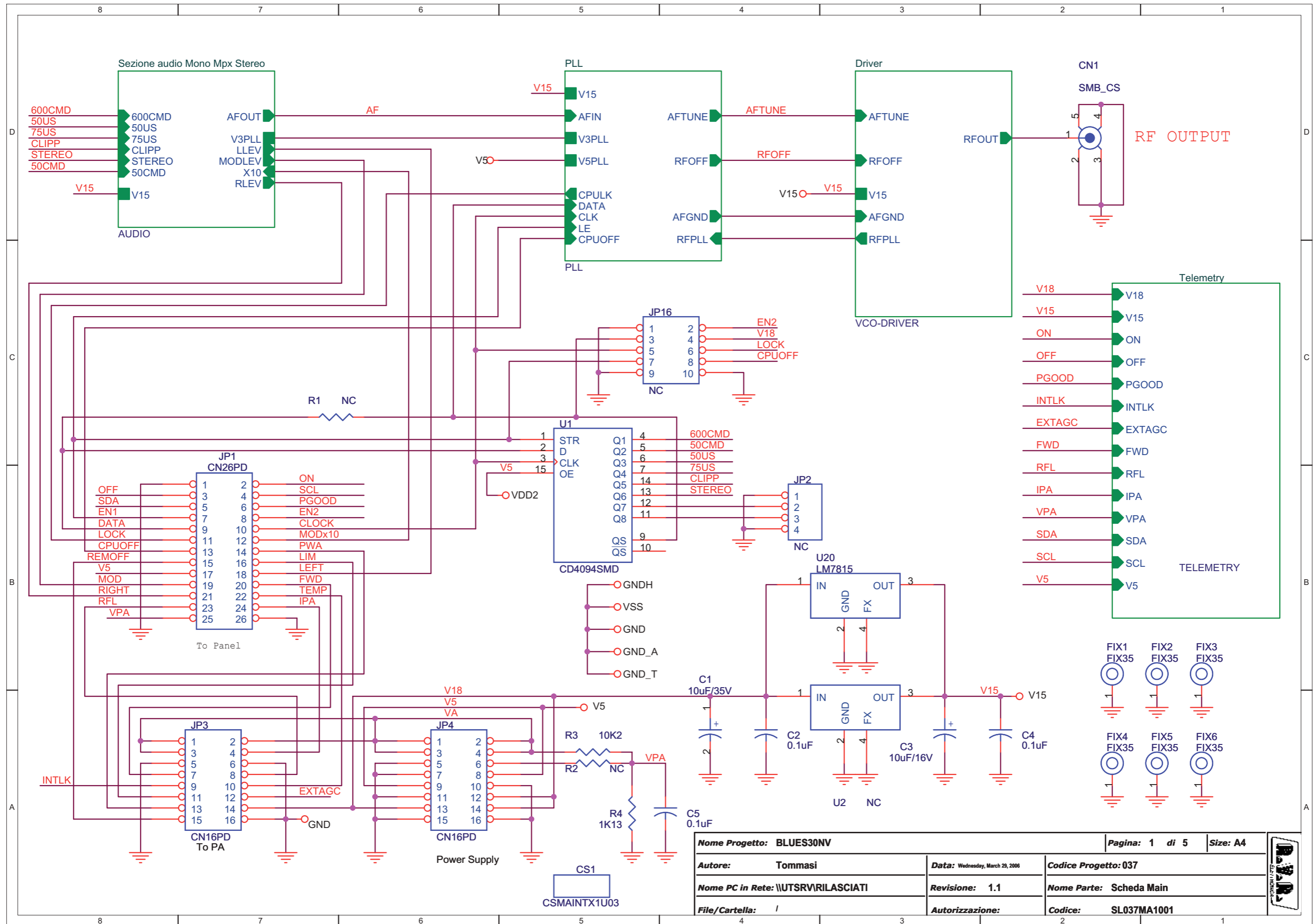
37

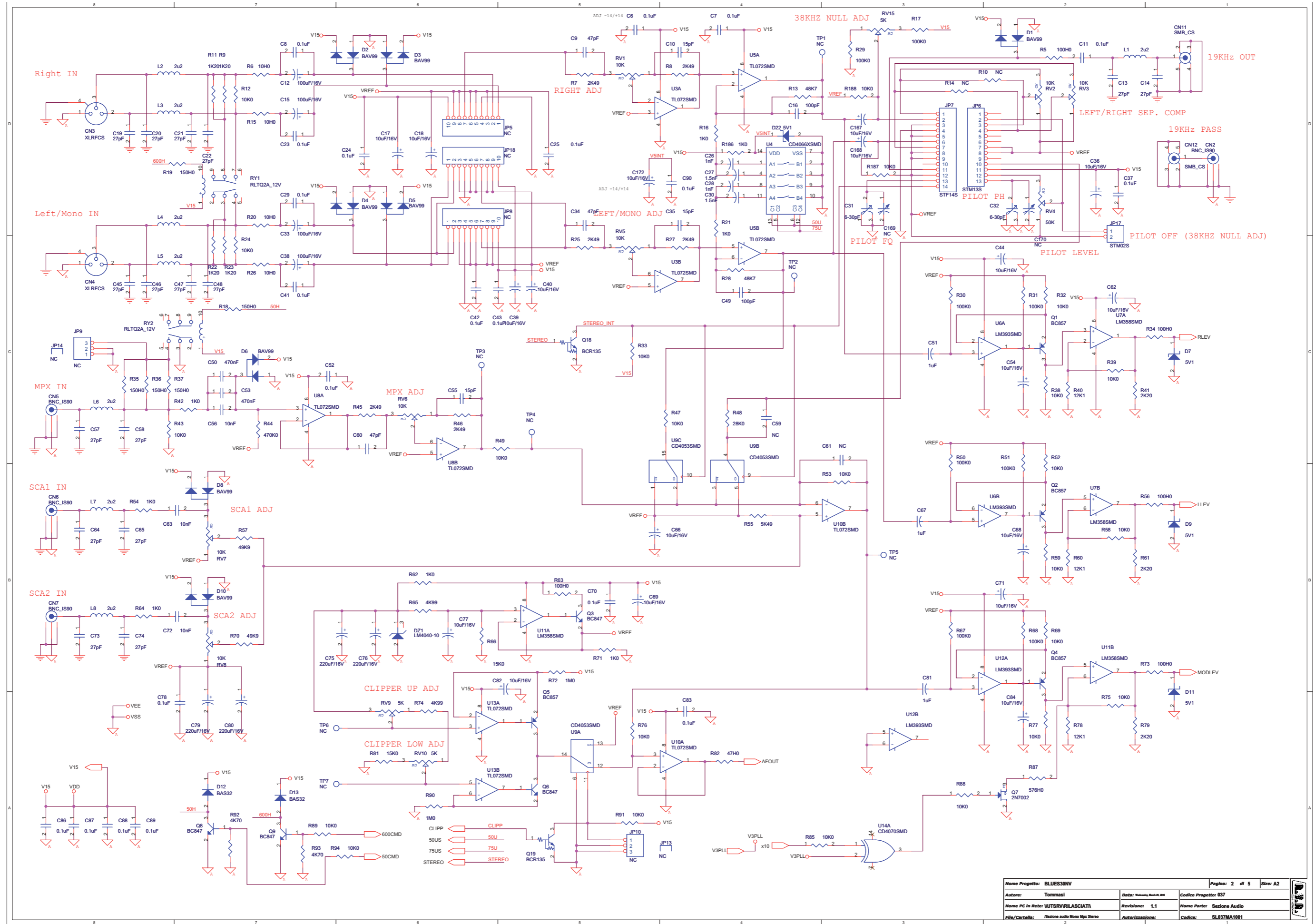
Ufficio Tecnico

Item	Quantity	Reference	Part
1	1	CAV1	SLCCX0930044
2	1	CAV2	SLCCX0910021
3	1	CAV3	SLCV12I0001A
4	1	CAV4	SLCV12I0002A
5	2	CN1, CN2	CNT25MBC2
6	1	FAN1	VTL109P0424J
7	1	FL1	FLTBLU30NV01
8	1	FL2	FLTBLU30NV02
9	1	FL3	FLTBLU30NV03
10	1	SW1	INT1V1009

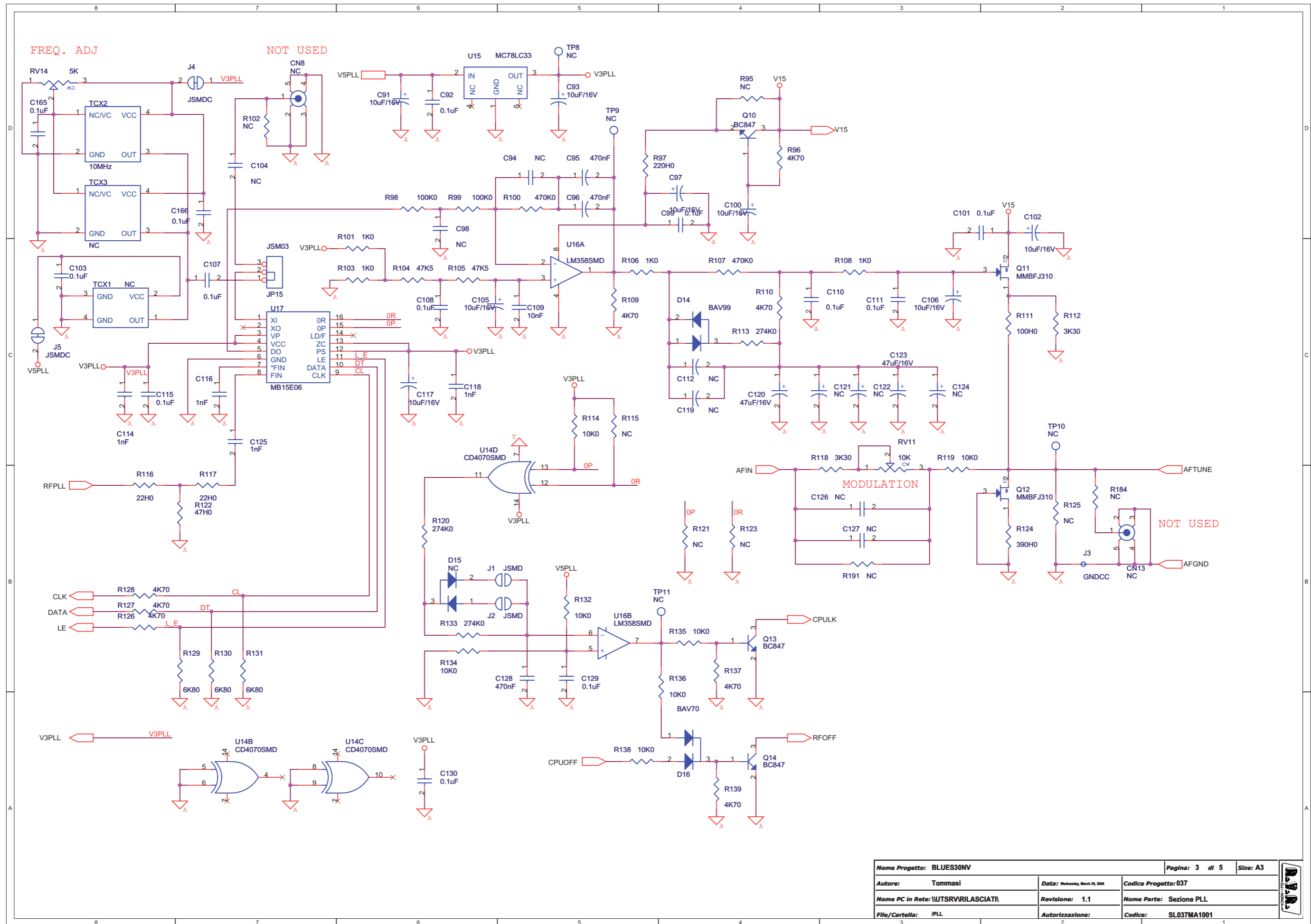


NOME PROGETTO: BLUES30-NV	NOME PARTE: MAIN CARD
AUTORE: A. TOMMASI	DATA: 10/10/2005
ARCHIVIAZIONE ELETTRONICA: "CARTELLA PROGETTI" SU "UT_SRV"	REVISIONE: 1.0
MATERIALE: <>	SCALA: 1:1
TRATTAMENTO: <>	SIZE: A4
PROFILO: <>	PAGINA: 1 DI 1
STATO: ESECUTIVO	CODICE DISEGNO: SLMAINX1U03
	CODICE PROGETTO: 037

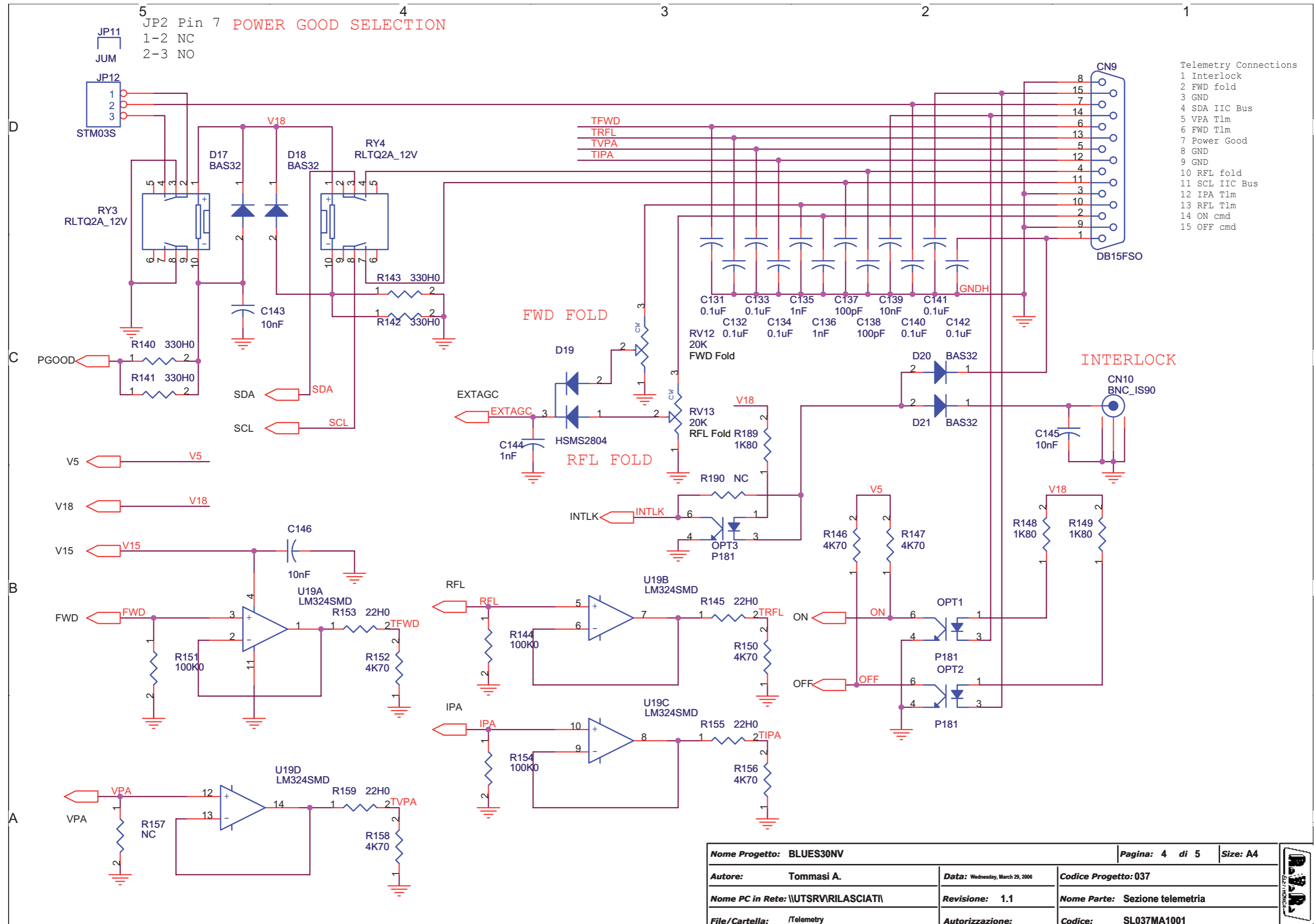




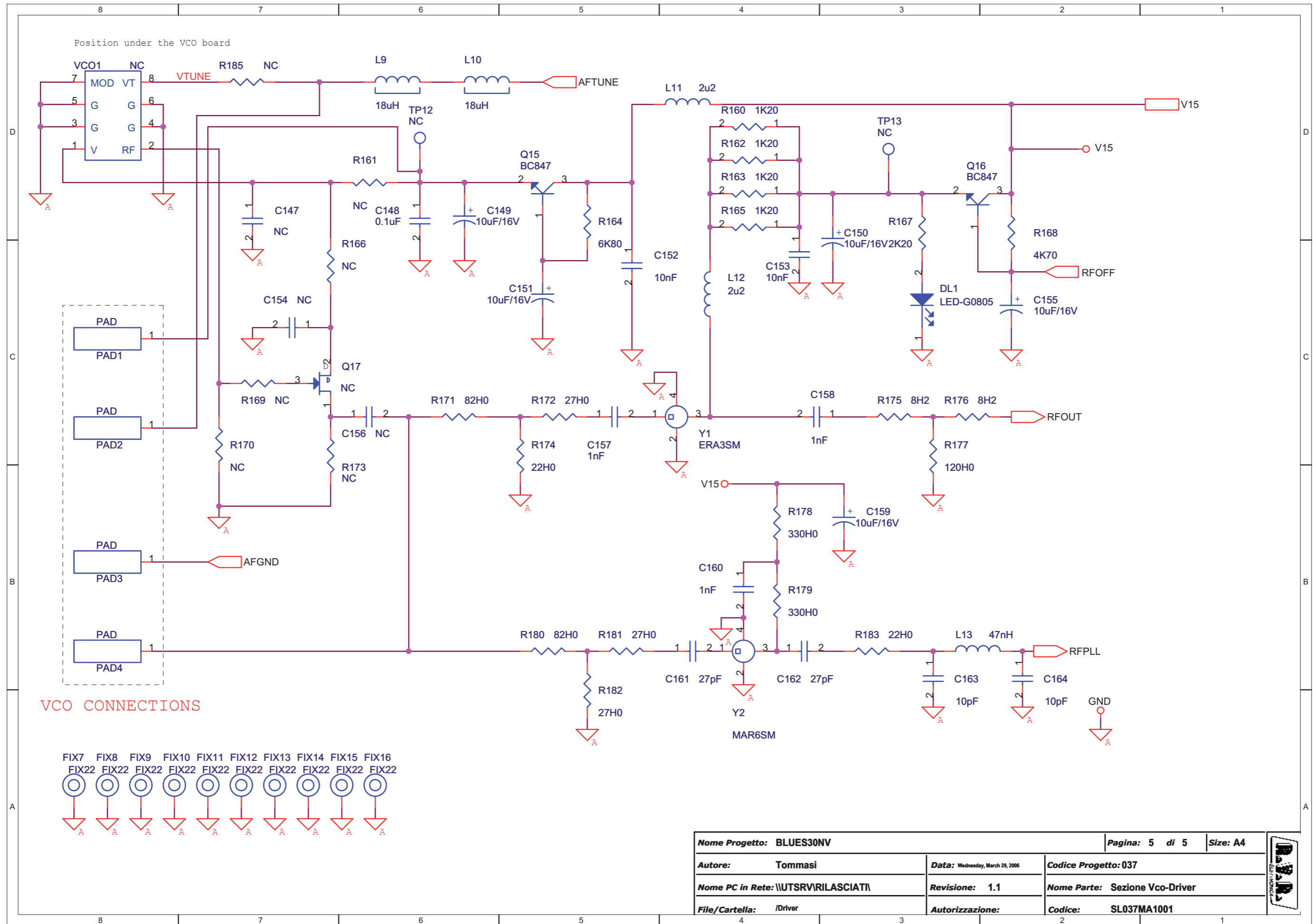
Nome Progetto: BLUES30NV	Pagina: 2 di 5	Stile: A2
Autore: Tommasi	Data: Wednesday, March 25, 2009	Codice Progetto: 037
Nome PC in Rete: WUTSRVILASCIATI	Revisione: 1.1	Nome Parte: Sezione Audio
File/Carrella: Sezione audio Mono High Stereo	Autore/Revisione:	Codice: SL037MA1001



Nome Progetto: BLUES30NV		Pagina: 3 di 5		Size: A3
Autore: Tommasi	Data: Wednesday, March 23, 2005	Codice Progetto: 037		
Nome PC in Rete: \WTSRV\RILASCIATI	Revisione: 1.1	Nome Parte: Sezione PLL		
File/Cartella: /PLL	Autorizzazione:	Codice: SL037MA1001		



Nome Progetto: BLUES30NV		Pagina: 4 di 5		Size: A4	
Autore: Tommasi A.	Data: Wednesday, March 29, 2006	Codice Progetto: 037			
Nome PC in Rete: \\UTSRV\RILASCIATI\		Revisione: 1.1	Nome Parte: Sezione telemetria		
File/Cartella: /Telemetry	Autorizzazione:	Codice: SL037MA1001			

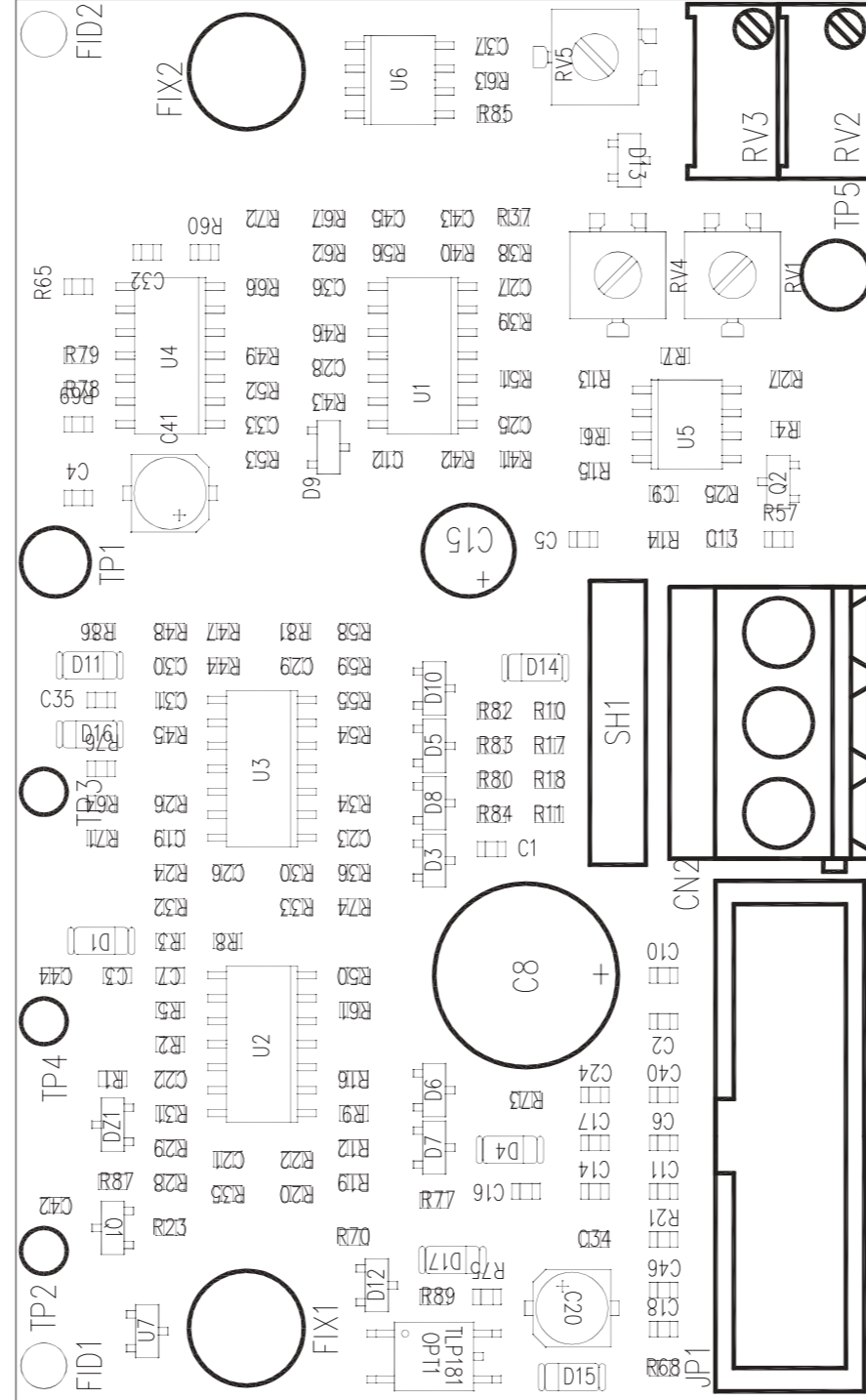


Nome Progetto: BLUES30NV		Pagina: 5 di 5	Size: A4
Autore: Tommasi	Data: Wednesday, March 29, 2006	Codice Progetto: 037	
Nome PC in Rete: \UTSRV\RILASCIATI	Revisione: 1.1	Nome Parte: Sezione Vco-Driver	
File/Cartella: /Driver	Autorizzazione:	Codice: SL037MA1001	

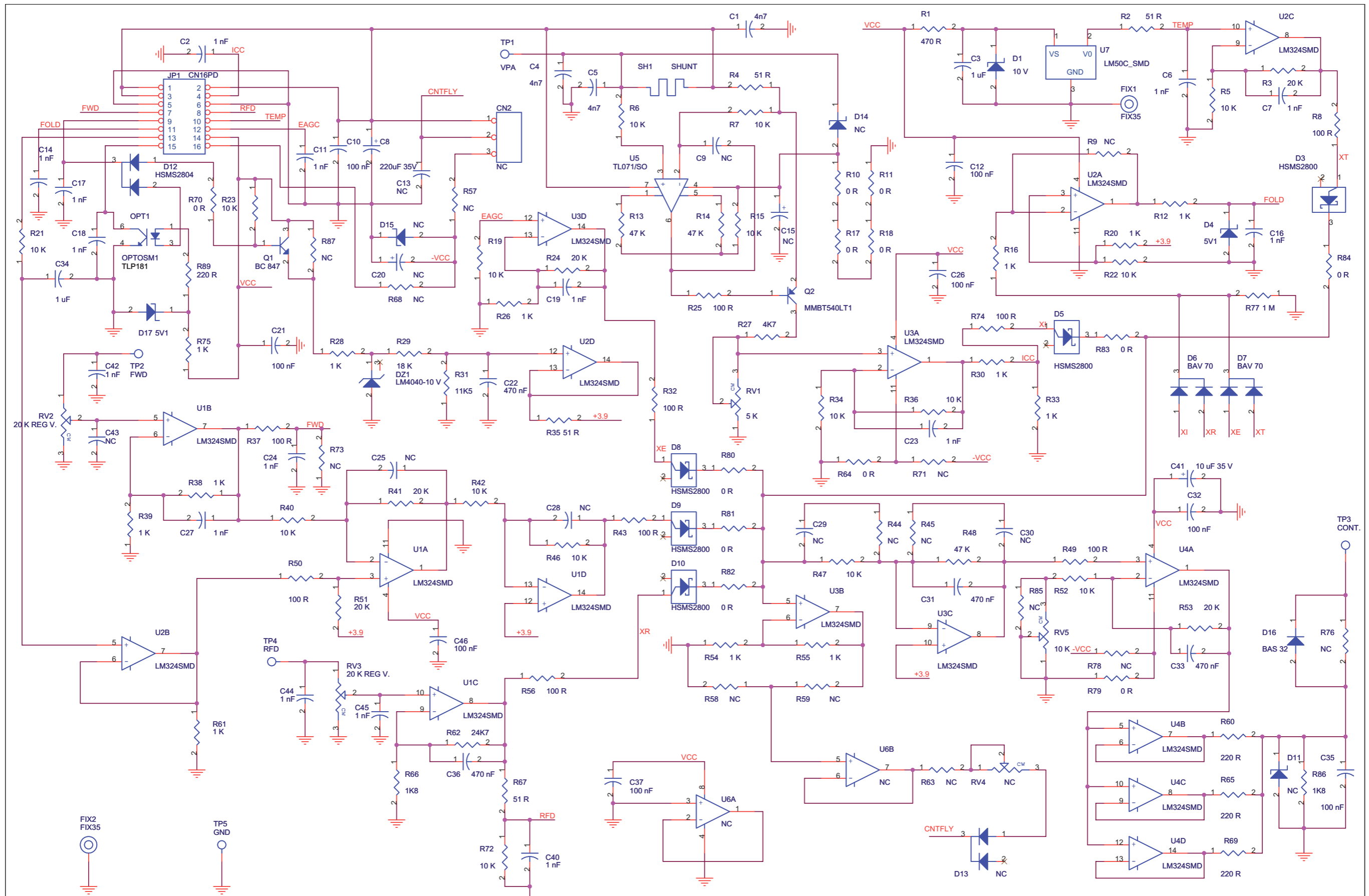
Scheda Main
SL037MA1001
Rev.1.1 Date:29/03/2006
BLUES30NV - 037
Tommasi

Item	Quantity	Reference	Part	Description	Code
1	3	CN1, CN11, CN12	SMB_CS	Connettore SMB cs	CNTSMBMCSD
2	5	CN2, CN5, CN6, CN7, CN10	BNC_IS90	Connettore BNC metallico 90°	CNTBNCFCSCMA
3	2	CN3, CN4	XLRFC5	Connettore XLR femm. cs 90°	CNTXLRFC53PA
4	2	CN8, CN13	NC	Connettore SMB cs	
5	1	CN9	DB15FSO	Connettore DB15 femm. cs 90°	CNTDB15FCSCA
6	1	CS1	CSMAINTX1U03	Circuito stampato	CSMAINTX1U03
7	1	C1	10uF/35V	Cond. Elett. SMD d. 5mm	CES106B350
8	45	C2, C4, C5, C6, C7, C8, C11, C23, C24, C25, C29, C37, C41, C42, C43, C52, C70, C78, C83, C86, C87, C88, C89, C90, C92, C99, C101, C103, C107, C108, C110, C111, C115, C129, C130, C131, C132, C133, C134, C140, C141, C142, C148, C165, C166	0.1uF	Cond. SMD 0805	CCC085104KXC
9	32	C3, C17, C18, C36, C39, C40, C44, C54, C62, C66, C68, C69, C71, C77, C82, C84, C91, C93, C97, C100, C102, C105, C106, C117, C149, C150, C151, C155, C159, C167, C168, C172	10uF/16V	Cond. Elett. SMD d. 4mm	CES106A160
10	3	C9, C34, C60	47pF	Cond. SMD 0805	CCC085470JCC
11	3	C10, C35, C55	15pF	Cond. SMD 0805	CCC085150JCC
12	4	C12, C15, C33, C38	100uF/16V	Cond. Elett. SMD d. 6.3mm	CES107C160
13	18	C13, C14, C19, C20, C21, C22, C45, C46, C47, C48, C57, C58, C64, C65, C73, C74, C161, C162	27pF	Cond. SMD 0805	CCC085270JCC
14	4	C16, C49, C138, C137	100pF	Cond. SMD 0805	CCC085101JCC
15	2	C26, C28	1nF	Cond. SMD 0805 COG	CCC085102GCC
16	2	C27, C30	1.5nF	Cond. SMD 0805 COG	CCC085152GCC
17	2	C31, C32	6-30pF	Comp. ceramico dia. 7mm	CVC300D07
18	3	C50, C53, C128	470nF	Cond. SMD 0805	CCC085474KXC
19	3	C51, C67, C81	1uF	Cond. SMD 0805	CCC085105KYC
20	10	C56, C63, C72, C109, C139, C143, C145, C146, C152, C153	10nF	Cond. SMD 0805	CCC085103KXC
21	10	C59, C61, C94, C98, C104, C126, C127, C147, C154, C156	NC	Cond. SMD 0805	
22	4	C75, C76, C79, C80	220uF/16V	Cond. Elett. SMD d. 6.3mm	CES227E160
23	2	C95, C96	470nF	Cond. SMD 1206	CCC126474KXC
24	2	C112, C119	NC	Cond. SMD 1206	
25	10	C114, C116, C118, C125, C135, C136, C144, C157, C158, C160	1nF	Cond. SMD 0805	CCC085102JNC
26	2	C120, C123	47uF/16V	Cond. Elett. SMD d. 6.3mm	CES476C160
27	3	C121, C122, C124	NC	Cond. Elett. SMD d. 6.3mm	
28	2	C163, C164	10pF	Cond. SMD 0805	CCC085100JCC
29	2	C169, C170	NC	Comp. var. Murata TZB4A	
30	1	DL1	LED-G0805	LED SMD 0805	LEDV0805
31	1	DZ1	LM4040-10	Diodi Zener SMD SOT23	CILLM4040-10
32	9	D1, D2, D3, D4, D5, D6, D8, D10, D14	BAV99	Doppio Diode SMD SOT23	DISBAV99
33	4	D7, D9, D11, D22	5V1	MINIMELF SMD Zener Diode	DIZ5V1MINI
34	6	D12, D13, D17, D18, D20, D21	BAS32	MINIMELF SMD Diode	DISBAS32MINI
35	1	D15	NC	Doppio Diode SMD SOT23	
36	1	D16	BAV70	Doppio Diode SMD SOT23	DISBAV70
37	1	D19	HSMS2804	Doppio Diode SMD SOT23	DISHSMS2804
38	6	FIX1, FIX2, FIX3, FIX4, FIX5, FIX6	FIX35	Foro fissaggio 3.5mm	
39	10	FIX7, FIX8, FIX9, FIX10, FIX11, FIX12, FIX13, FIX14, FIX15, FIX16	FIX22	Foro fissaggio 2.2mm	
40	1	JP1	CN26PD	Connettore 26 poli Flat cs	CNTMCS26A
41	1	JP2	NC	Strip maschio 4 pin	
42	2	JP3, JP4	CN18PD	Connettore 16 poli Flat cs	CNTMCS16A
43	3	JP5, JP8, JP18	NC	Strip femmina 10 pin	
44	1	JP6	STM13S	Strip maschio 13 pin	CNTSTF13SDB
45	1	JP7	STF14S	Strip femmina 14 pin	CNTSTF14SDB
46	2	JP9, JP10	NC	Strip maschio 3 pin	
47	1	JP11	JUM	Ponticello Jumper	
48	1	JP12	STM03S	Strip maschio 3 pin	STRIP
49	2	JP13, JP14	NC	Ponticello Jumper	
50	1	JP15	JSM03	Pad SMD a saldare a 2 pos.	
51	1	JP16	NC	Connettore 10 poli Flat cs	
52	1	JP17	STM02S	Strip maschio 2 pin	STRIP
53	2	J1, J2	JSM0	Pad SMD a saldare	
54	1	J3	GNDCC	Non e' un componente	
55	2	J4, J5	JSMDC	Pad SMD a saldare chiuso	
56	10	L1, L2, L3, L4, L5, L6, L7, L8, L11, L12	2u2	Induttanza SMD 3225 (1210)	IMP2U2S120
57	2	L9, L10	22uH	Induttanza SMD 3225 (1210) Schermata	IMP18US126S
58	1	L13	47nH	Induttanza SMD 3225 (1210)	IMP47NS120
59	3	OPT1, OPT2, OPT3	P181	Optoisolatore SMD SO6	LEDTLP181
60	4	PAD1, PAD2, PAD3, PAD4	PAD	Pad a saldare 2.5x2.5 mm	
61	4	Q1, Q2, Q4, Q5	BC857	Trans. PNP SOT23	TRNBC857
62	9	Q3, Q6, Q8, Q9, Q10, Q13, Q14, Q15, Q16	BC847	Trans. NPN SOT23	TRNBC847
63	1	Q7	2N7002	Trans. FET SOT23	TRN2N7002SMD
64	2	Q11, Q12	MMBFJ310	Trans. FET SOT23	TRNMMBFJ310
65	1	Q17	NC	Trans. FET SOT23	
66	2	Q18, Q19	BCR135	Trans./Res. NPN SOT23	TRNBCR135
67	5	RV1, RV5, RV6, RV7, RV8	10K	Trimmer Rg H 3006	RVT3006PK010
68	3	RV2, RV3, RV11	10K	Trimmer Rg V 3296W	RVT3296WK010

Item	Quantity	Reference	Part	Description	Code
69	1	RV4	50K	Trimmer Rg V 3296W	RVT3296WK050
70	3	RV9, RV10, RV15	5K	Trimmer Rg V 3296W	RVT3296WK005
71	2	RV12, RV13	20K	Trimmer Rg H 3006	RVT3006PK020
72	1	RV14	5K	Trimm. multi SMD PVG5 Murata	
73	4	RY1, RY2, RY3, RY4	RLTQ2A_12V	Relè TQ2	RLD2V12V05AM
74	6	R1, R2, R184, R185, R190, R191	NC	Res. SMD 0805	
75	1	R3	10K2	Res. SMD 0805	RCH085F010K2
76	1	R4	1K13	Res. SMD 0805	RCH085F01K13
77	6	R5, R34, R56, R63, R73, R111	100H0	Res. SMD 0805 1%	RCH085F0100H
78	4	R6, R15, R20, R26	10H0	Res. SMD 0805 1%	RCH085F0010H
79	6	R7, R8, R25, R27, R45, R46	2K49	Res. SMD 0805 1%	RCH085F02K49
80	8	R9, R11, R22, R23, R160, R162, R163, R165	1K20	Res. SMD 0805 1%	RCH085F001K2
81	14	R10, R14, R95, R102, R115, R121, R123, R125, R157, R161, R166, R169, R170, R173	NC	Res. SMD 0805 1%	
82	31	R12, R24, R32, R33, R38, R39, R43, R47, R49, R52, R53, R58, R59, R69, R75, R76, R77, R85, R88, R89, R91, R94, R114, R119, R132, R134, R135, R136, R138, R187, R188	10K0	Res. SMD 0805 1%	RCH085F0010K
83	2	R13, R28	48K7	Res. SMD 0805 1%	RCH085F048K7
84	12	R16, R21, R42, R54, R62, R64, R71, R101, R103, R106, R108, R186	1K0	Res. SMD 0805 1%	RCH085F0001K
85	13	R17, R29, R30, R31, R50, R51, R67, R68, R98, R99, R144, R151, R154	100K0	Res. SMD 0805 1%	RCH085F0100K
86	5	R18, R19, R35, R36, R37	150H0	Res. SMD 0805 1%	RCH085F0150H
87	3	R40, R60, R78	12K1	Res. SMD 0805 1%	RCH085F012K1
88	4	R41, R61, R79, R167	2K20	Res. SMD 0805 1%	RCH085F002K2
89	3	R44, R100, R107	470K0	Res. SMD 0805 1%	RCH085F0470K
90	1	R48	28K0	Res. SMD 0805 1%	RCH085F0028K
91	1	R55	5K49	Res. SMD 0805 1%	RCH085F05K49
92	2	R57, R70	49K9	Res. SMD 0805 1%	RCH085F049K9
93	2	R65, R74	4K99	Res. SMD 0805 1%	RCH085F04K99
94	2	R66, R81	15K0	Res. SMD 0805 1%	RCH085F0015K
95	2	R72, R90	1M0	Res. SMD 0805 1%	RCH085F0001M
96	2	R82, R122	47H0	Res. SMD 0805 1%	RCH085F0047H
97	1	R87	576H0	Res. SMD 0805 1%	RCH085F0576H
98	17	R92, R93, R96, R109, R110, R126, R127, R128, R137, R139, R146, R147, R150, R152, R156, R158, R168	4K70	Res. SMD 0805 1%	RCH085F004K7
99	1	R97	220H0	Res. SMD 0805 1%	RCH085F0220H
100	2	R104, R105	47K5	Res. SMD 0805 1%	RCH085F047K5
101	2	R112, R118	3K30	Res. SMD 0805 1%	RCH085F003K3
102	3	R113, R120, R133	274K0	Res. SMD 0805 1%	RCH085F0274K
103	8	R116, R117, R145, R153, R155, R159, R174, R183	22H0	Res. SMD 0805 1%	RCH085F0022H
104	1	R124	390H0	Res. SMD 0805 1%	RCH085F0390H
105	4	R129, R130, R131, R164	6K80	Res. SMD 0805 1%	RCH085F006K8
106	6	R140, R141, R142, R143, R178, R179	330H0	Res. SMD 0805 1%	RCH085F0330H
107	3	R148, R149, R189	1K80	Res. SMD 0805 1%	RCH085F001K8
108	2	R171, R180	82H0	Res. SMD 0805 1%	RCH085F0082H
109	3	R172, R181, R182	27H0	Res. SMD 0805 1%	RCH085F0027H
110	2	R175, R176	8H2	Res. SMD 0805 1%	RCH085F008H2
111	1	R177	120H0	Res. SMD 0805 1%	RCH085F0120H
112	1	TCX1	NC	TCXO SMD	
113	1	TCX2	10MHz	TCXO SMD 5x3.2mm	QRZ000010MMV
114	1	TCX3	NC	TCXO SMD 7x5.2mm	
115	13	TP1, TP2, TP3, TP4, TP5, TP6, TP7, TP8, TP9, TP10, TP11, TP12, TP13	NC	Test point	
116	1	U1	CD4094SMD	Shift Reg. SMD SO16	CID4094SMD
117	1	U2	NC	Stabilizzatore TO220	
118	5	U3, U5, U8, U10, U13	TL072SMD	Dual Op. SMD SO8	CILT072SMD
119	1	U4	CD4066XSMD	Analog Switch SMD SO14	CID4066SMD
120	2	U6, U12	LM393SMD	Dual Comp. SMD SO8	CILLM393SMD
121	3	U7, U11, U16	LM358SMD	Dual Op. SMD SO8	CILLM358SMD
122	1	U9	CD4053SMD	Analog Switch SMD SO16	CID4053SMD
123	1	U14	CD4070SMD	Quad. XOR port	CID4070SMD
124	1	U15	MC78LC33	Stab. SMD SOT23-5	CIL78LC33
125	1	U17	MB15E06	Integrated PLL	CIDMB15E06
126	1	U19	LM324SMD	Quad Op. SMD SO14	CILLM324SMD
127	1	U20	LM7815	Stabilizzatore SMD D2PAK	CILL78152DT
128	1	VCO1	NC	VCO SKY 8 pin FVC7MD	
129	1	Y1	ERA3SM	Ibrido MAR/ERA	MIBERA3-SM
130	1	Y2	MAR6SM	Ibrido MAR/ERA	MIBMAR6SMD



	NOME PROGETTO: CONTROLLO FINALE MOS	NOME PARTE: SCHEDA CONTROLLO FINALE MOS
ARCHIVIAZIONE ELETTRONICA: "CARTELLA PROGETTI" SU "UT_SRV"	AUTORE: L. GASPERINI	DATA: 13/04/2005
MATERIALE: <>	CODICE PROGETTO: 030	REVISIONE: 1.0
TRATTAMENTO: <>	PROFILO: <>	SCALA: 2:1
		SIZE: A4
		PAGINA: 1 DI 1
		CODICE DISEGNO: SL037BI1002
		STATO: ESECUTIVO

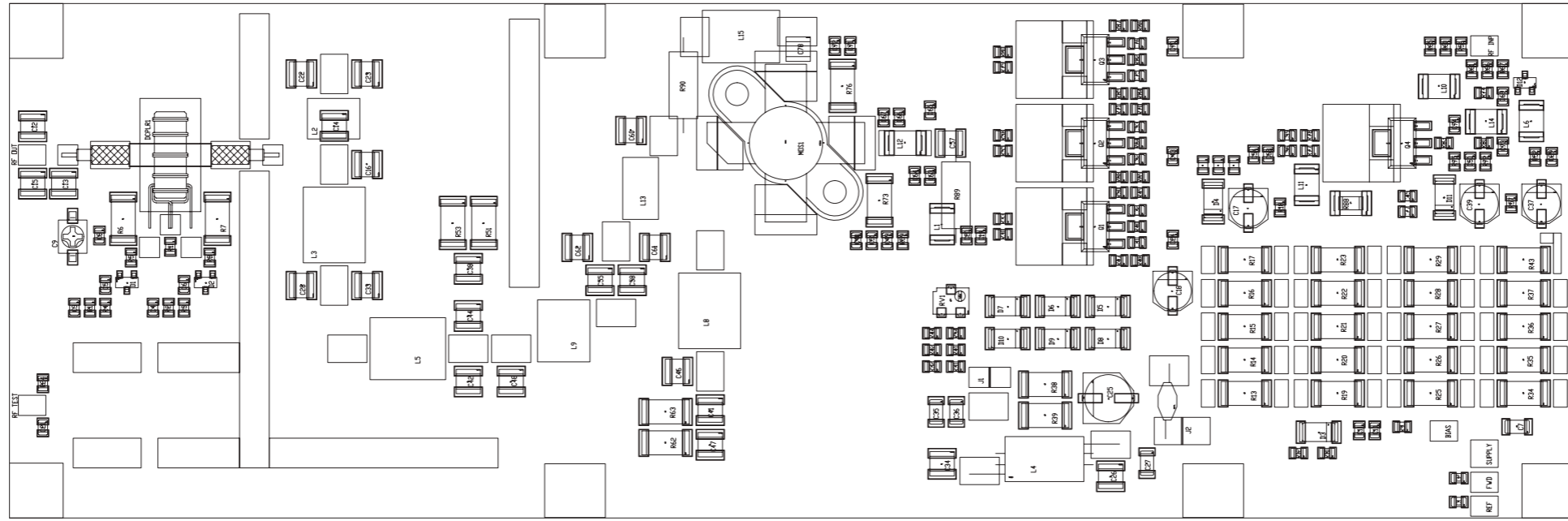



U4 NO EXTERNAL SWAP
U1B U1C STESSO IC

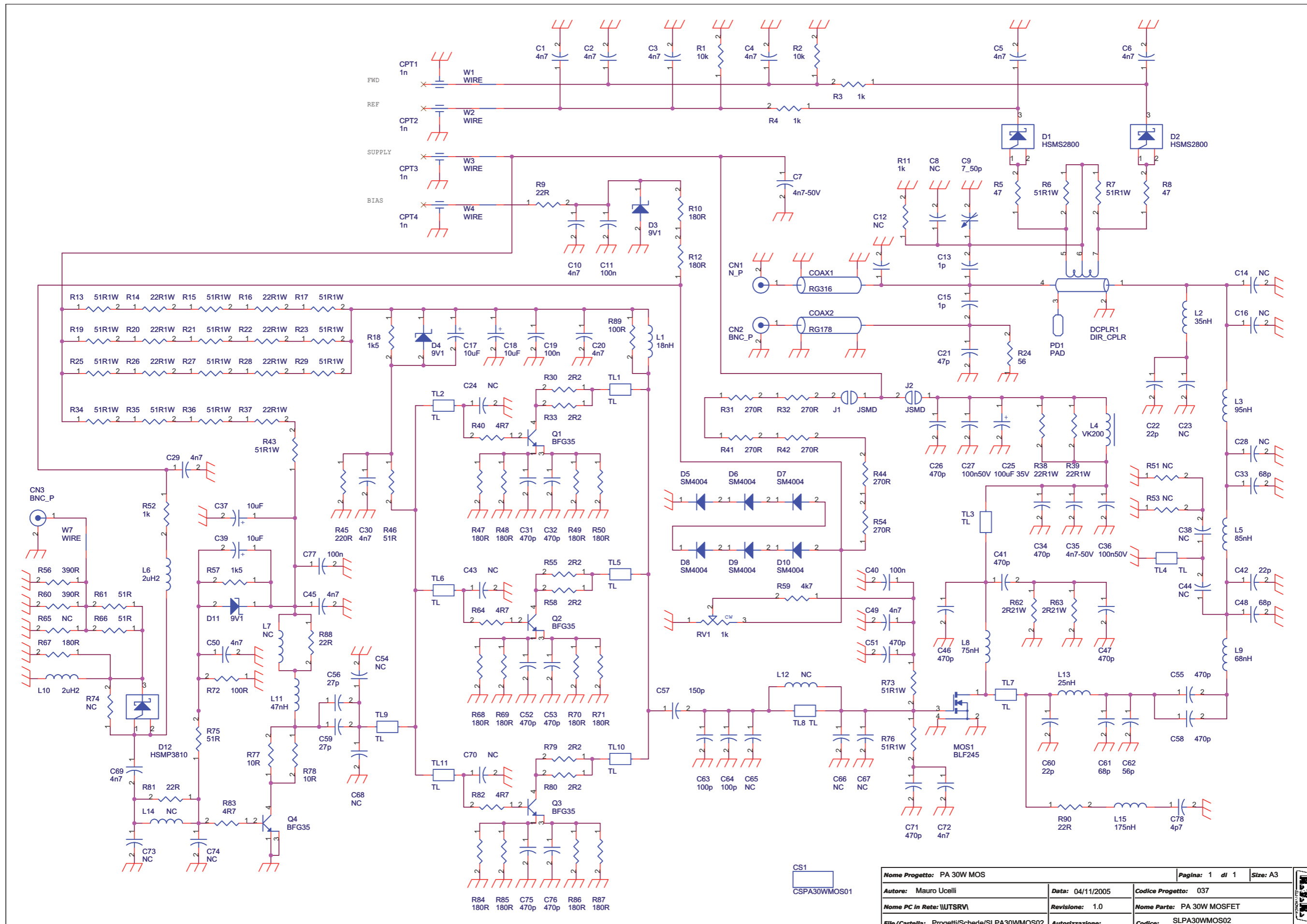
Nome Progetto: Controllo finale MOS per TEX-BLUES 30 LCD		Pagina: 1 di 1	Size: A3
Autore: Luca Gasperini	Data: Wednesday, June 01, 2005	Codice Progetto: 037	
Nome PC In Rete: \UT_SRV\PROGETTI	Revisione: 1.2	Nome Parte: Controllo finale MOS 30W	
File/Cartella: \	Autorizzazione:	Codice: SL037BI1002	

Revised: 01/06/2005
 Revision: 1.2
 Controllo finale MOS per TEX-BLUES 30 LCD
 SL037BI1002
 Luca Gasperini

Item	Quantity	Reference	Part	(description)
1	1	CN2	NC	
2	3	C1, C4, C5	4n7	Cond. SMD 0805
3	16	C2, C6, C7, C11, C14, C16, C17, C18, C19, C23, C24, C27, C40, C42, C44, C45	1 nF	Cond. SMD 0805
4	2	C34, C3	1 uF	Cond. SMD 0805
5	1	C8	220uF 35V	Cond. Elettr. Dia 10 P5.08
6	1	C9	NC	Cond. SMD 0805
7	8	C10, C12, C21, C26, C32, C35, C37, C46	100 nF	Cond. SMD 0805
8	6	C13, C25, C28, C29, C30, C43	NC	Cond. SMD 0805
9	1	C15	NC	Cond. Elettr. Dia 5 P2.54
10	1	C20	NC	Cond. Elettr. SMD d. 4mm
11	4	C22, C31, C33, C36	470 nF	Cond. SMD 0805
12	1	C41	10 uF 35 V	Cond. Elettr. SMD d. 4mm
13	1	DZ1	LM4040-10 V	Diode Zener SMD SOT23
14	1	D1	10 V	MINIMELF SMD Zener Diode
	1	D14	NC	MINIMELF SMD Zener Diode
15	5	D3, D5, D8, D9, D10	HSMS2800	Diodo Schottky SOT23
16	2	D4, D17	5V1	MINIMELF SMD Zener Diode
17	2	D6, D7	BAV 70	Doppio Diodo SMD SOT23
18	2	D15, D11	NC	MINIMELF SMD Zener Diode
19	1	D12	HSMS2804	Doppio Diodo SMD SOT23
20	1	D13	NC	Doppio Diodo SMD SOT23
21	1	D16	BAS 32	
22	2	FIX1, FIX2	FIX35	Foro fissaggio 3.5mm
23	1	JP1	CN16PD	Connettore 16 poli Flat cs
24	1	OPT1	TLP181	
25	1	Q1	BC 847	Trans. NPN SOT23
26	1	Q2	MMBT540LT1	Trans. PNP SOT23
27	1	RV1	5 K	Trimmer SMD
28	2	RV3, RV2	20 K REG V.	Trimmer Rg V 3296W
Item	Quantity	Reference	Part	(description)
29	1	RV4	NC	Trimmer SMD
30	1	RV5	10 K	Trimmer SMD
31	1	R1	470 R	Res. SMD 0805
32	4	R2, R4, R35, R67	51 R	Res. SMD 0805
33	5	R3, R24, R41, R51, R53	20 K	Res. SMD 0805
34	16	R5, R6, R7, R15, R19, R21, R22, R23, R34, R36, R40, R42, R46, R47, R52, R72	10 K	Res. SMD 0805
35	9	R8, R25, R32, R37, R43, R49, R50, R56, R74	100 R	Res. SMD 0805
36	14	R9, R44, R45, R57, 58, 59, R63, R68, R71, R73, R76, R78, R85, R87	NC	Res. SMD 0805
37	4	R60, R65, R69, R89	220 R	Res. SMD 0805
38	13	R12, R16, R20, R26, R28, R30, R33, R38, R39, R54, R55, R61, R75	1 K	Res. SMD 0805
39	3	R13, R14, R48	47 K	Res. SMD 0805
40	1	R27	4K7	Res. SMD 0805
41	1	R29	18 K	Res. SMD 0805
42	1	R31	11K5	Res. SMD 0805
43	1	R62	24K7	Res. SMD 0805
44	12	R10, R11, R17, R18, R64, R70, R79, R80, R81, R82, R83, R84	0 R	Res. SMD 0805
45	2	R66, R86	1K8	Res. SMD 0805
46	1	R77	1 M	Res. SMD 0805
47	1	SH1	SHUNT	Shunt passo 15.2mm fori 2mm
48	1	TP1	VPA	Foro dia. 2mm
49	1	TP2	FWD	Foro dia. 1mm
50	1	TP3	CONT.	Foro dia. 1mm
51	1	TP4	RFD	Foro dia. 1mm
52	1	TP5	GND	Foro dia. 2mm
53	4	U1, U2, U3, U4	LM324SMD	Quad Op. SMD SO14
54	1	U5	TL071/SO	Dual Op. SMD SO8
55	1	U6	NC	Dual Op. SMD SO8
56	1	U7	LM50C_SMD	Temperature sensor



	NOME PROGETTO: PA 30W MOS	NOME PARTE: PA 30W MOSFET
AUTORE: MAURO UCCELLI	DATA: 04/11/2005	REVISIONE: 1.0
ARCHIVIAZIONE ELETTRONICA: "CARTELLA PROGETTI" SU "UT_SRV"	CODICE PROGETTO: 037	CODICE DISEGNO: SLPA30WMOS02
MATERIALE: <>	TRATTAMENTO: <>	PROFILO: <>
		SCALE: 1:1
		SIZE: A4
		PAGINA: 1 DI 1
		STATO: ESECUTIVO

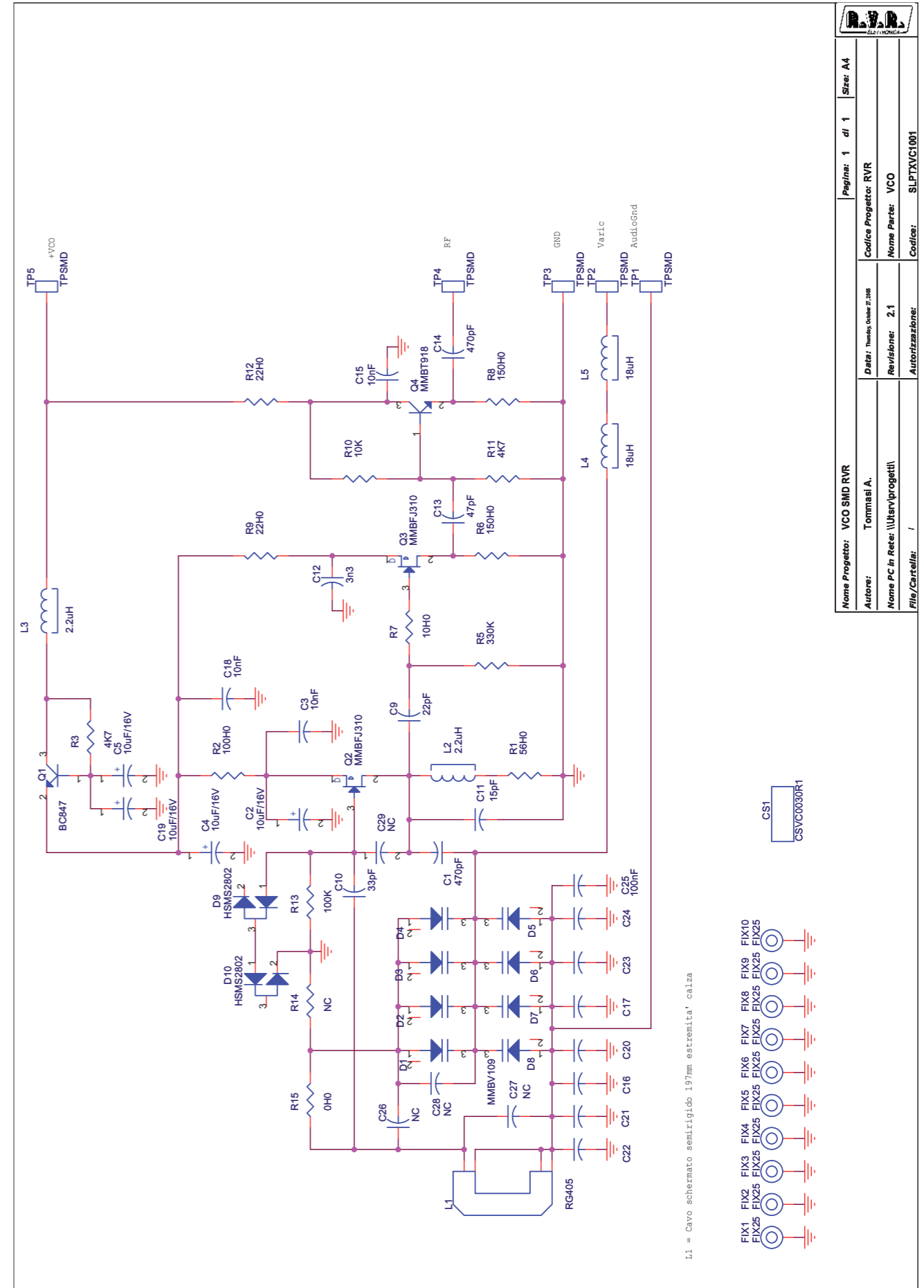
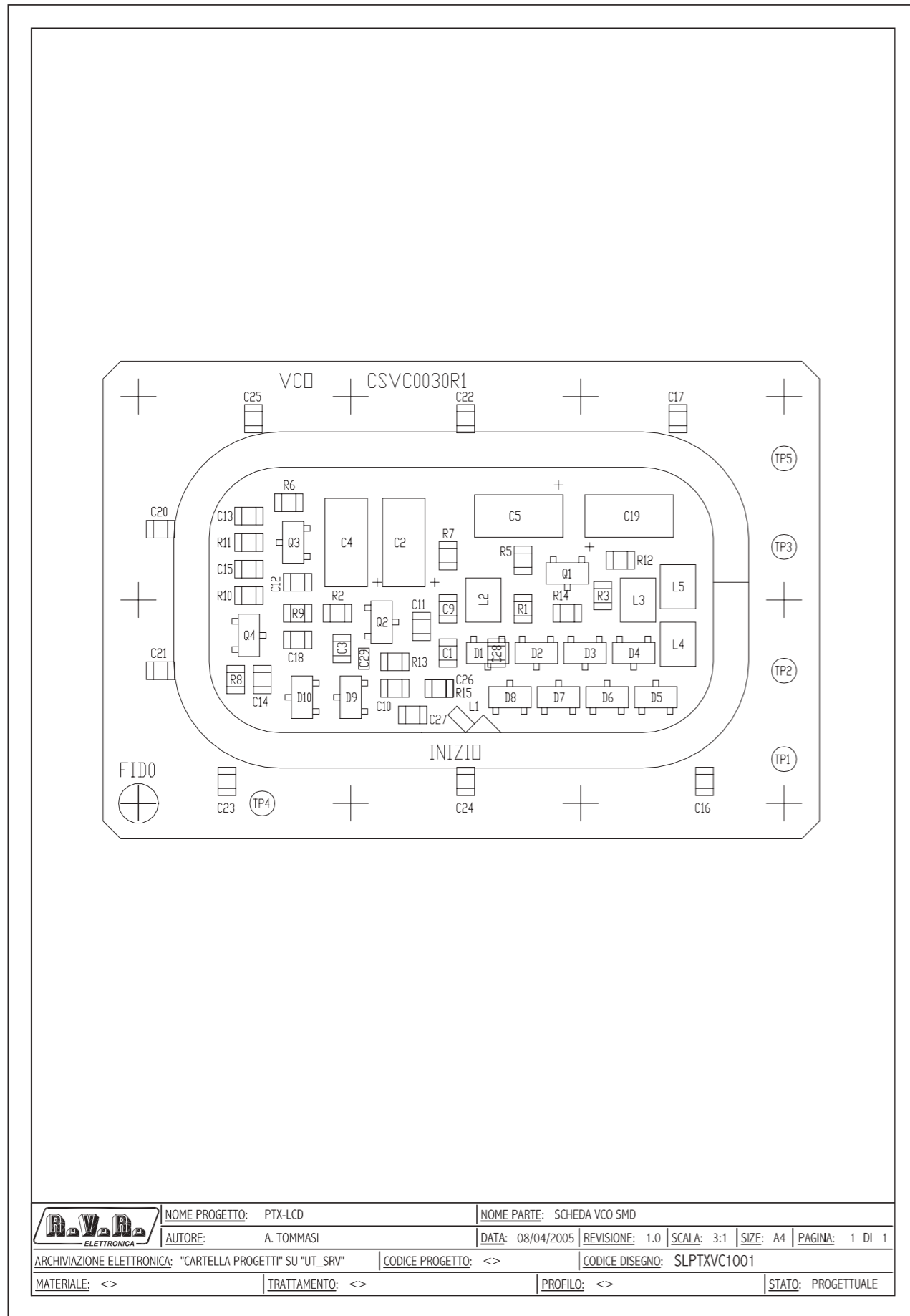


Nome Progetto: PA 30W MOS		Pagina: 1 di 1		Size: A3
Autore: Mauro Ucelli	Data: 04/11/2005	Codice Progetto: 037		
Nome PC in Rete: \UTSRV\	Revisione: 1.0	Nome Parte: PA 30W MOSFET		
File/Cartella: Progetti/Schede/SLPA30WMOS02	Autorizzazione:	Codice: SLPA30WMOS02		

PA 30W MOSFET
SLPA30WMOS02
Revision: 1.0
PA 30W MOS
Cod: 037
Mauro Ucelli
04/11/2005

Item	Quantity	Reference	Part	Description
1	1	CN1	N_P	Conn. N da pannello
2	2	CN3,CN2	BNC_P	Conn. BNC da pannello
3	1	COAX1	RG316	Cavo coax
4	1	COAX2	RG178	Cavo coax
5	4	CPT1,CPT2,CPT3,CPT4	1n	Cond. passante
6	1	CS1	CSPA30WMOS01	Circuito stampato
7	15	C1,C2,C3,C4,C5,C6,C10, C20,C29,C30,C45,C49,C50, C69,C72	4n7	Cond. SMD 0805
8	2	C35,C7	4n7-50V	Cond. SMD 1206
9	8	C8,C54,C65,C66,C67,C68, C73,C74	NC	Cond. SMD 0805 COG
10	1	C9	7_50p	Comp. var. Murata TZB4
11	4	C11,C19,C40,C77	100n	Cond. SMD 0805
12	10	C12,C14,C16,C23,C24,C28, C38,C43,C44,C70	NC	Cond. SMD 1212 HQ
13	2	C15,C13	1p	Cond. SMD 1212 HQ
14	4	C17,C18,C37,C39	10uF	Cond. Elett. SMD d. 5mm
15	1	C21	47p	Cond. SMD 0805 COG
16	2	C42,C22	22p	Cond. SMD 1212 HQ
17	1	C25	100uF 35V	Cond. Elett. SMD d. 6.3mm
18	7	C26,C34,C41,C46,C47,C55, C58	470p	Cond. SMD 1212 HQ
19	2	C36,C27	100n50V	Cond. SMD 1206
20	8	C31,C32,C51,C52,C53,C71, C75,C76	470p	Cond. SMD 0805 COG
21	3	C33,C48,C61	68p	Cond. SMD 1212 HQ
22	2	C56,C59	27p	Cond. SMD 0805
23	1	C57	150p	Cond. SMD 1212 HQ
24	1	C60	22p	Cond. SMD 1212 HQ
25	1	C62	56p	Cond. SMD 1212 HQ
26	2	C63,C64	100p	Cond. SMD 0805 COG
27	1	C78	4p7	Cond. SMD 1212 HQ
28	1	DCPLR1	DIR_CPLR	Accopp. direz.
29	2	D2,D1	HSMS2800	
30	3	D3,D4,D11	9V1	MELF SMD Zener Diode
31	6	D5,D6,D7,D8,D9,D10	SM4004	MELF SMD Diode
32	1	D12	HSMP3810	Diodo Shottky SOT23
33	2	J1,J2	JSMD	Pad SMD a saldare
34	1	L1	18nH	Induttanza cilindrica
35	1	L2	35nH	Induttanza cilindrica
36	1	L3	95nH	Induttanza cilindrica
37	1	L4	VK200	Induttanza cilindrica VK200
38	1	L5	85nH	Induttanza cilindrica
39	2	L6,L10	2uH2	Induttanza SMD 3225 (1812)
40	3	L7,L12,L14	NC	Induttanza SMD 3225 (1210)
41	1	L8	75nH	Induttanza cilindrica
42	1	L9	68nH	Induttanza cilindrica
43	1	L11	47nH	Induttanza SMD 3225 (1210)
44	1	L13	25nH	Induttanza cilindrica
45	1	L15	175nH	Induttanza cilindrica
46	1	MOS1	BLF245	Power mosfet RF

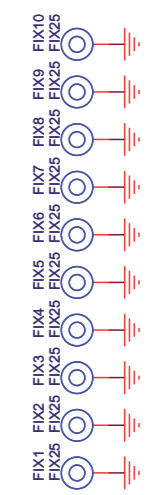
47	1	PD1	PAD	
48	4	Q1,Q2,Q3,Q4	BFG35	Trans. NPN SOT223
49	1	RV1	1k	Trimm. multi SMD PVG5 Murata
50	2	R1,R2	10k	Res. SMD 0805
51	4	R3,R4,R11,R52	1k	Res. SMD 0805
52	2	R5,R8		47 Res. SMD 0805
53	17	R6,R7,R13,R15,R17,R19, R21,R23,R25,R27,R29,R34, R35,R36,R43,R73,R76	51R1W	Res. SMD 2512
54	2	R9,R81	22R	Res. SMD 0805
55	15	R10,R12,R47,R48,R49,R50, R67,R68,R69,R70,R71,R84, R85,R86,R87	180R	Res. SMD 0805
56	9	R14,R16,R20,R22,R26,R28, R37,R38,R39	22R1W	Res. SMD 2512
57	2	R57,R18	1k5	Res. SMD 0805
58	1	R24		56 Res. SMD 0805
59	6	R30,R33,R55,R58,R79,R80	2R2	Res. SMD 0805
60	6	R31,R32,R41,R42,R44,R54	270R	Res. SMD 0805
61	4	R40,R64,R82,R83	4R7	Res. SMD 0805
62	1	R45	220R	Res. SMD 0805
63	4	R46,R61,R66,R75	51R	Res. SMD 0805
64	2	R51,R53	NC	Res. SMD 2512
65	2	R60,R56	390R	Res. SMD 0805
66	1	R59	4k7	Res. SMD 0805
67	2	R63,R62	2R21W	Res. SMD 2512
68	2	R65,R74	NC	Res. SMD 0805
69	1	R72	100R	Res. SMD 0805
70	2	R78,R77	10R	Res. SMD 0805
71	1	R88	22R	Res. SMD 2010
72	1	R89	100R	Res. 2W tradizionale
73	1	R90	22R	Res. 2W tradizionale
74	11	TL1,TL2,TL3,TL4,TL5,TL6, TL7,TL8,TL9,TL10,TL11	TL	Linea strip CS
75	5	W1,W2,W3,W4,W7	WIRE	Filo a saldare



R.V.R. ELETTRONICA	NOME PROGETTO: PTX-LCD	NOME PARTE: SCHEDA VCO SMD
	AUTORE: A. TOMMASI	DATA: 08/04/2005 REVISIONE: 1.0 SCALA: 3:1 SIZE: A4 PAGINA: 1 DI 1
ARCHIVIAZIONE ELETTRONICA: "CARTELLA PROGETTI" SU "UT_SRV"		CODICE PROGETTO: <> CODICE DISEGNO: SLPTXVC1001
MATERIALE: <>	TRATTAMENTO: <>	PROFILO: <> STATO: PROGETTUALE

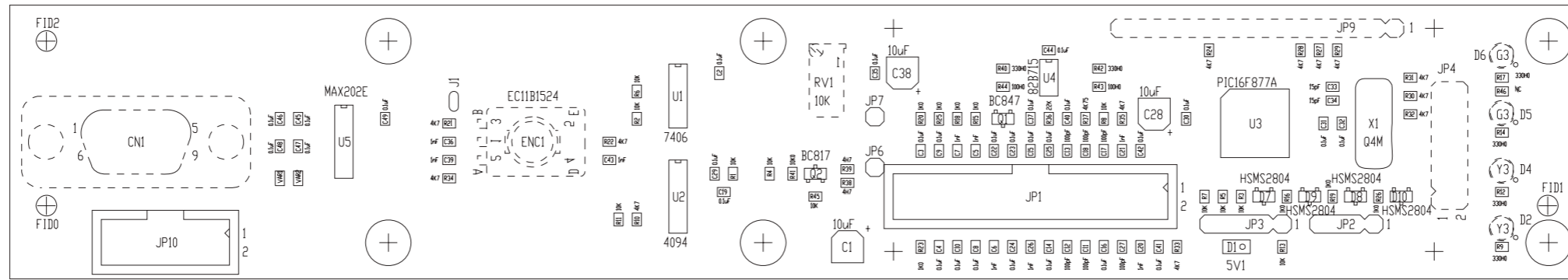
R.V.R. ELETTRONICA	
Nome Progetto: VCO SMD RVR	Pagina: 1 di 1 Size: A4
Autore: Tommasi A.	Codice Progetto: RVR
Nome PC In Rete: \\Utavr\progetti	Data: Thursday, October 7, 2005
File/Cartella: /	Revisione: 2.1
	Nome Parte: VCO
	Codice: SLPTXVC1001

L1 = Cavo schermato semirigido 197mm estremita' calza

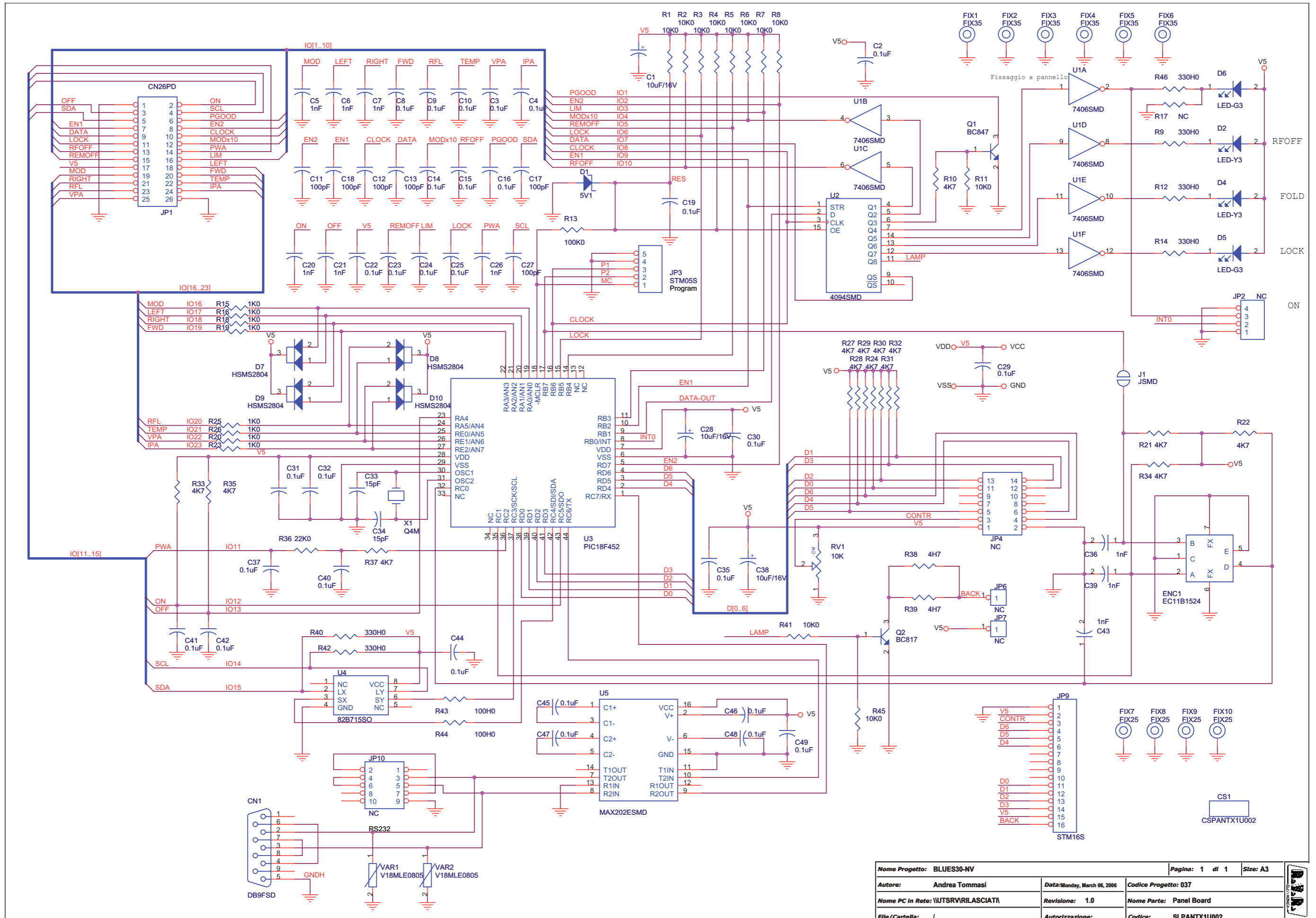


VCO Revised: 02/05/2005					
SLPTXVC1001 Revision: 2.1					
VCO SMD RVR					
RVR					
Tommasi A.					
Item	Quantity	Reference	Part	Description	Codice
1	1	CS1	CS-VC0030R1	Circuito stampato	CSVC0030R1
2	2	C1, C14	470pF	Cond. SMD 0805	CCC085471JCC
3	4	C2, C4, C5, C19	10uF/16V	Cond. Elett. SMD tant. size C	CET106C160SMC
4	3	C3, C15, C18	10nF	Cond. SMD 0805	CCC085103KXC
5	1	C9	22pF	Cond. SMD 0805	CCC085220JCC
6	1	C10	33pF	Cond. SMD 0805	CCC085330JCC
7	1	C11	15pF	Cond. SMD 0805	CCC085150JCC
8	1	C12	3n3	Cond. SMD 0805	CCC085332KXC
9	1	C13	47pF	Cond. SMD 0805	CCC085470JCC
10	8	C16, C17, C20, C21, C22, C23, C24, C25	100nF	Cond. SMD 0805	CCC085104KXC
11	3	C26, C27, C28	NC	Cond. SMD 0805	NOTCONNECTED
12	8	D1, D2, D3, D4, D5, D6, D7, D8	MMBV109	Diodo Varicap SMD SOT23	DIVMMBV109
13	2	D9, D10	HSMS2802	Doppio Diodo SMD SOT23	DISHSMS2802
14	10	FIX1, FIX2, FIX3, FIX4, FIX5, FIX6, FIX7, FIX8, FIX9, FIX10	FIX25	Foro fissaggio 2.5mm	
15	1	L1	RG405	Induttanza a cavo RG405 197mm	CAVTC957/50
16	2	L2, L3	2.2uH	Induttanza SMD 3225 (1210) Schermata	IMP2U2S126S
17	2	L4, L5	18uH	Induttanza SMD 3225 (1210) Schermata	IMP18US126S
18	1	Q1	BC847	Trans. NPN SOT23	TRNBC847
19	2	Q2, Q3	MMB-FJ310	Trans. FET SOT23	TRNMMBFJ310
20	1	Q4	MMBT918	Trans. NPN SOT23	TRNMMBT918
21	1	R1	56H0	Res. SMD 0805	RCH085F0056H
22	1	R2	100H0	Res. SMD 0805	RCH085F0100H
23	2	R3, R11	4K7	Res. SMD 0805	RCH085F004K7
24	1	R5	330K	Res. SMD 0805	RCH085F0330K

25	2	R6, R8	150H0	Res. SMD 0805	RCH085F0150H
26	1	R7	10H0	Res. SMD 0805	RCH085F0010H
27	2	R9, R12	22H0	Res. SMD 0805	RCH085F0022H
28	1	R10	10K	Res. SMD 0805	RCH085F0010K
29	1	R13	100K	Res. SMD 0805	RCH085F0100K
30	1	R14	NC	Res. SMD 0805	NOTCONNECTED
31	1	R15	0H0	Res. SMD 0805	RCH085F0000H
32	5	TP1, TP2, TP3, TP4, TP5	TPSMD	Piazzola SMD	



NOME PROGETTO: BLUESO-NV	NOME PARTE: PANEL BOARD
AUTORE: A. TOMMASI	DATA: 01/12/2004
ARCHIVIAZIONE ELETTRONICA: "CARTELLA PROGETTI" SU "UT_SRV"	REVISIONE: 0.1
MATERIALE: <>	SCALA: 1:1
TRATTAMENTO: <>	SIZE: A4
	PAGINA: 1 DI 1
	CODICE PROGETTO: 037
	CODICE DISEGNO: SLPANTX1U002
	STATO: ESECUTIVO

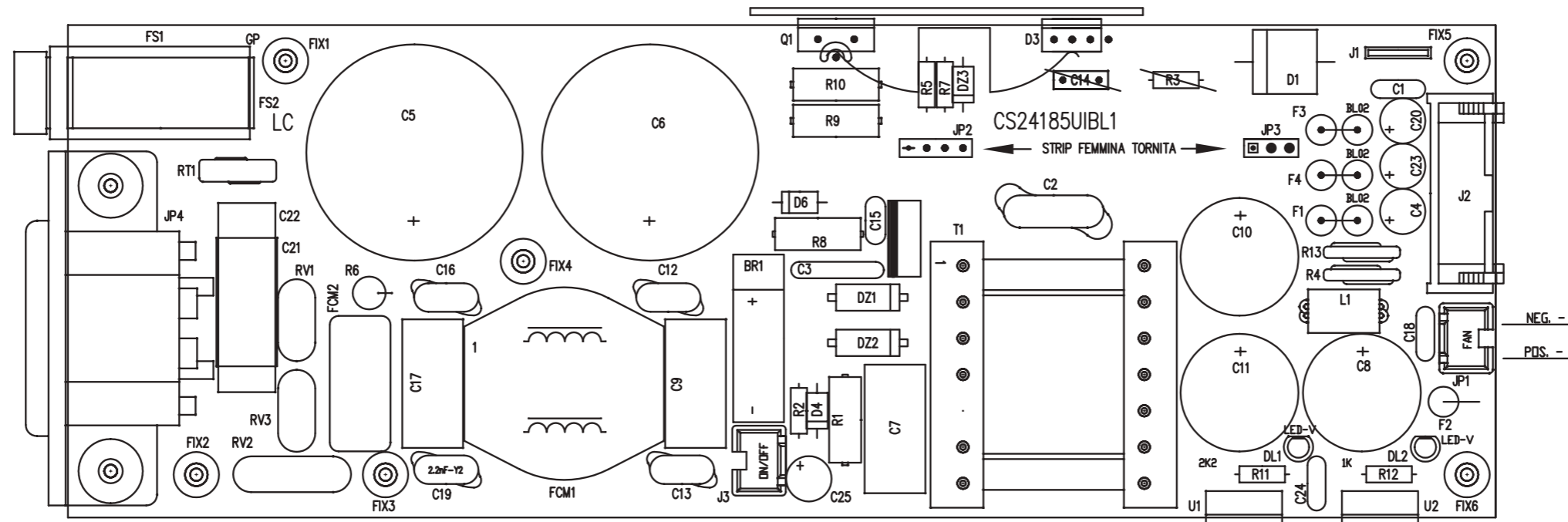


Nome Progetto: BLUES30-NV		Pagina: 1 di 1		Size: A3
Autore: Andrea Tommasi	Data: Monday, March 06, 2006	Codice Progetto: 037		
Nome PC in Rete: WUTSRVIRILASCIATI	Revisione: 1.0	Nome Parte: Panel Board		
File/Cartella: /	Autorizzazione:	Codice: SLPANTX1U002		

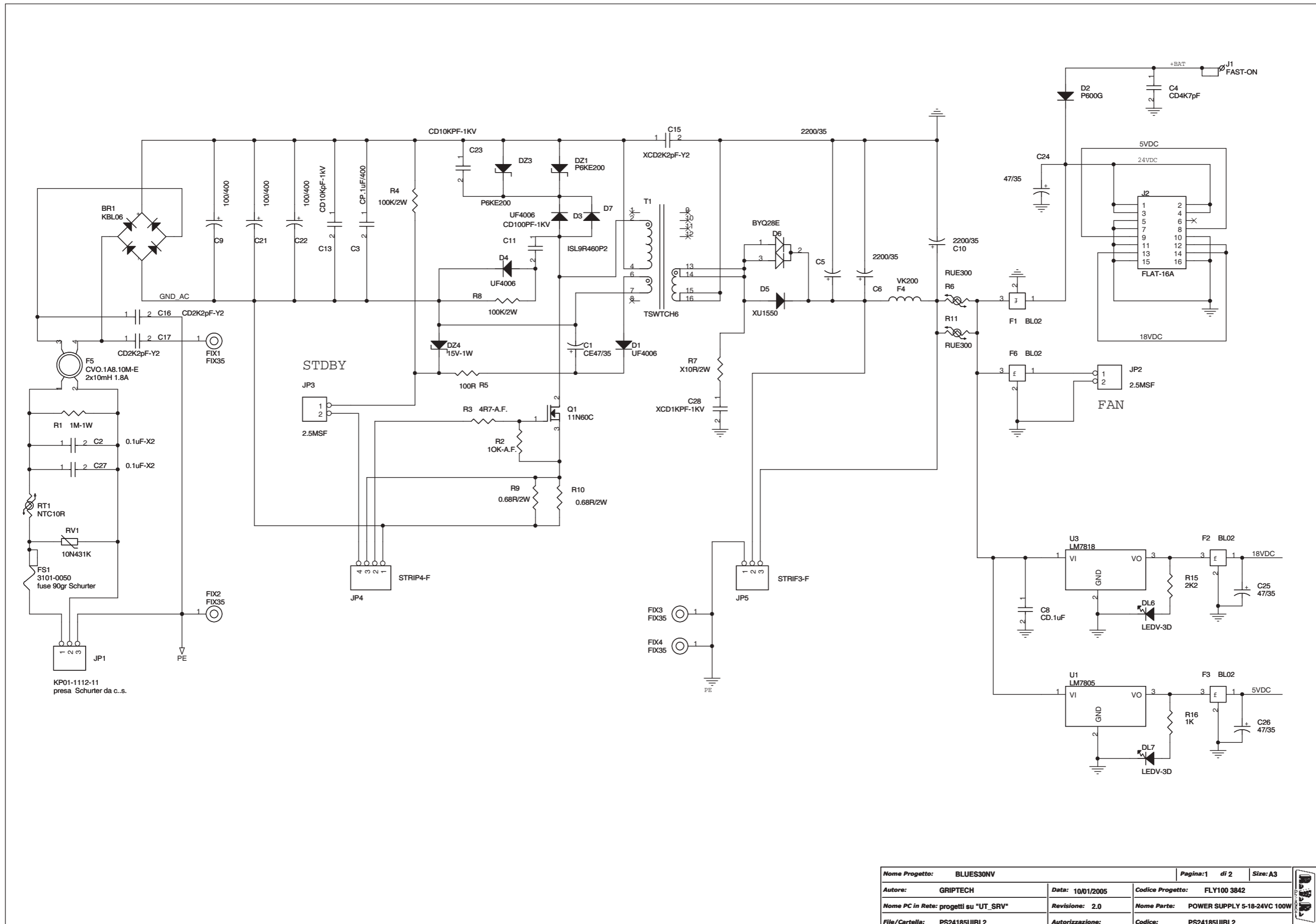
Panel Board - SLPANTX1U002
06/03/2006 - Revision: 1.0
BLUES30NV
037

Andrea Tommasi

Item	Quantity	Reference	Part	Description
1	1	CN1	DB9FSD	Connettore DB9 femm. cs
2	1	CS1	CSPANTX1U002	Circuito stampato
3	3	C1, C28, C38	10uF/16V	Cond. Elett. SMD d. 4mm
4	29	C2, C3, C4, C8, C9, C10, C14, C15, C16, C19, C22, C23, C24, C25, C29, C30, C31, C32, C35, C37, C40, C41, C42, C44, C45, C46, C47, C48, C49	0.1uF	Cond. SMD 0805
5	9	C5, C6, C7, C20, C21, C26, C36, C39, C43	1nF	Cond. SMD 0805
6	6	C11, C12, C13, C17, C18, C27	100pF	Cond. SMD 0805
7	2	C33, C34	15pF	Cond. SMD 0805
8	1	D1	5V1	MINIMELF SMD Zener Diode
9	2	D2, D4	LED-Y3	LED Giallo dia. 3mm
10	2	D5, D6	LED-G3	LED Verde dia. 3mm
11	4	D7, D8, D9, D10	HSMS2804	Doppio Diodo SMD SOT23
12	1	ENC1	EC11B1524	Incremental encoder ALPS EC11
13	6	FIX1, FIX2, FIX3, FIX4, FIX5, FIX6	FIX35	Foro fissaggio
14	4	FIX7, FIX8, FIX9, FIX10	FIX25	Foro fissaggio 2.5mm
15	1	JP1	CN26PD	Connettore 26 poli Flat cs
16	1	JP2	NC	Strip maschio 4 pin
17	1	JP3	STM05S	Strip maschio 5 pin
18	1	JP4	NC	Strip maschio 14 pin doppia fila
19	2	JP6, JP7	NC	Strip femmina 1 pin
20	1	JP9	STM16S	Strip maschio 16 pin
21	1	JP10	NC	Connettore 10 poli Flat cs
22	1	J1	JSMD	Pad SMD a saldare
23	1	Q1	BC847	Trans. NPN SOT23
24	1	Q2	BC817	Trans. NPN SOT23
25	1	RV1	10K	Trimmer Rg V 3296W
26	11	R1, R2, R3, R4, R5, R6, R7, R8, R11, R41, R45	10K0	Res. SMD 0805
27	1	R13	100K0	Res. SMD 0805
28	6	R9, R12, R14, R40, R42, R46	330H0	Res. SMD 0805
29	14	R10, R21, R22, R24, R27, R28, R29, R30, R31, R32, R33, R34, R35, R37	4K7	Res. SMD 0805
30	8	R15, R16, R18, R19, R20, R23, R25, R26	1K0	Res. SMD 0805
31	1	R17	NC	Res. SMD 0805
32	1	R36	22K0	Res. SMD 0805
33	2	R38, R39	4H7	Res. SMD 0805
34	2	R43, R44	100H0	Res. SMD 0805
35	1	U1	7406SMD	Hex inv OC SMD SO14
36	1	U2	CD4094SMD	Shift Reg. SMD SO16
37	1	U3	PIC18F452	TQFP44 SMD Microprocessor
38	1	U4	82B715SO	IIC Bus driver SMD SO8
39	1	U5	MAX202ESMD	RS232 Driver SMD SO16
40	2	VAR1, VAR2	V18MLE0805	ESD SMD protector
41	1	X1	Q4M	Quarzo SMD HC49SMD



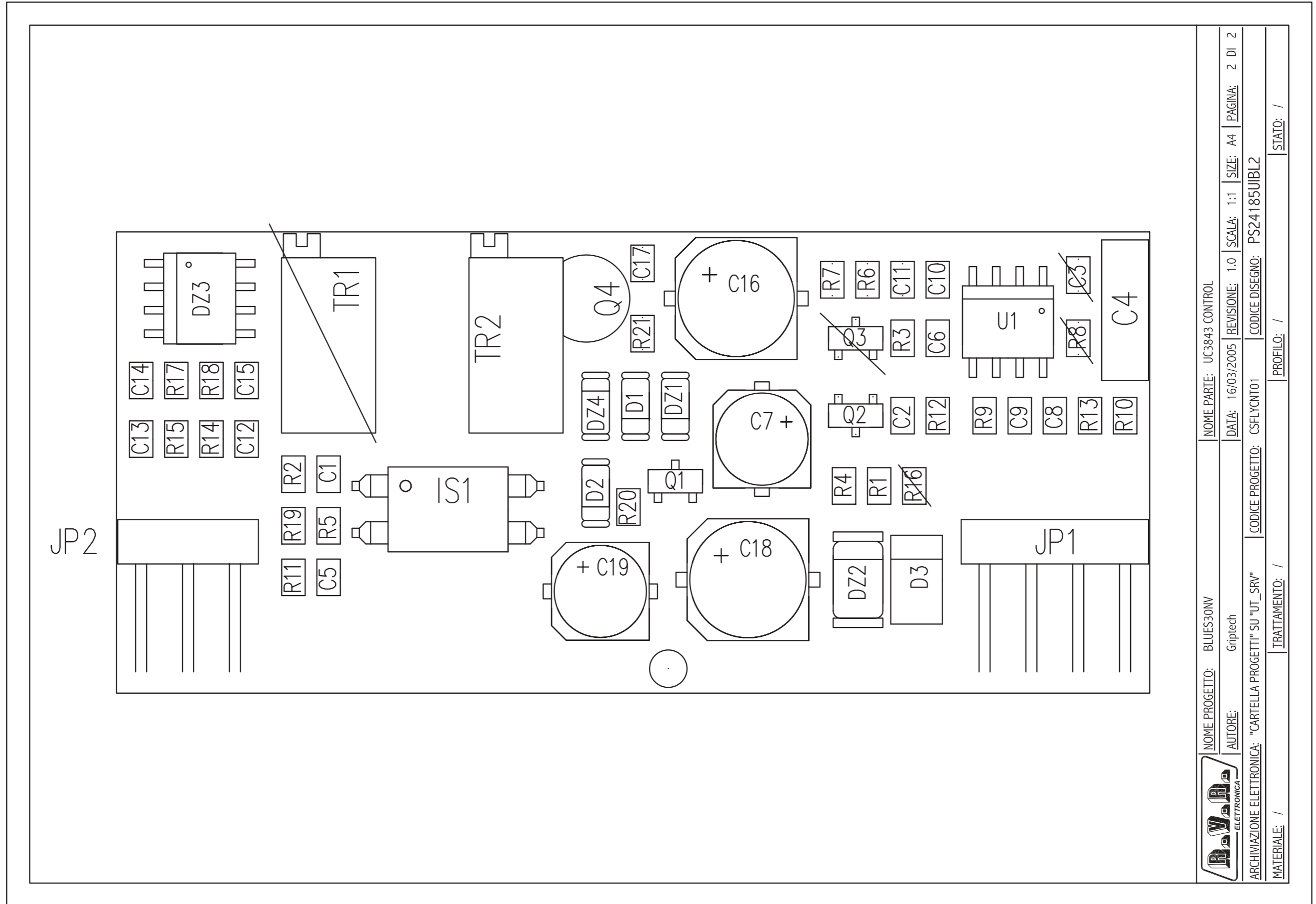
R.V.R. ELETTRONICA	NOME PROGETTO: BLUES30NV	NOME PARTE: Power Supply Layout
	AUTORE: Griptech	DATA: 16/03/2005
ARCHIVIAZIONE ELETTRONICA: "CARTELLA PROGETTI" SU "UT_SRV"	REVISIONE: 1.0	SCALA: 1:1
MATERIALE: /	CODICE PROGETTO: FLY100 3842	SIZE: A4
	TRATTAMENTO: /	PAGINA: 1 DI 2
		CODICE DISEGNO: PS24185UIBL2
		STATO: /



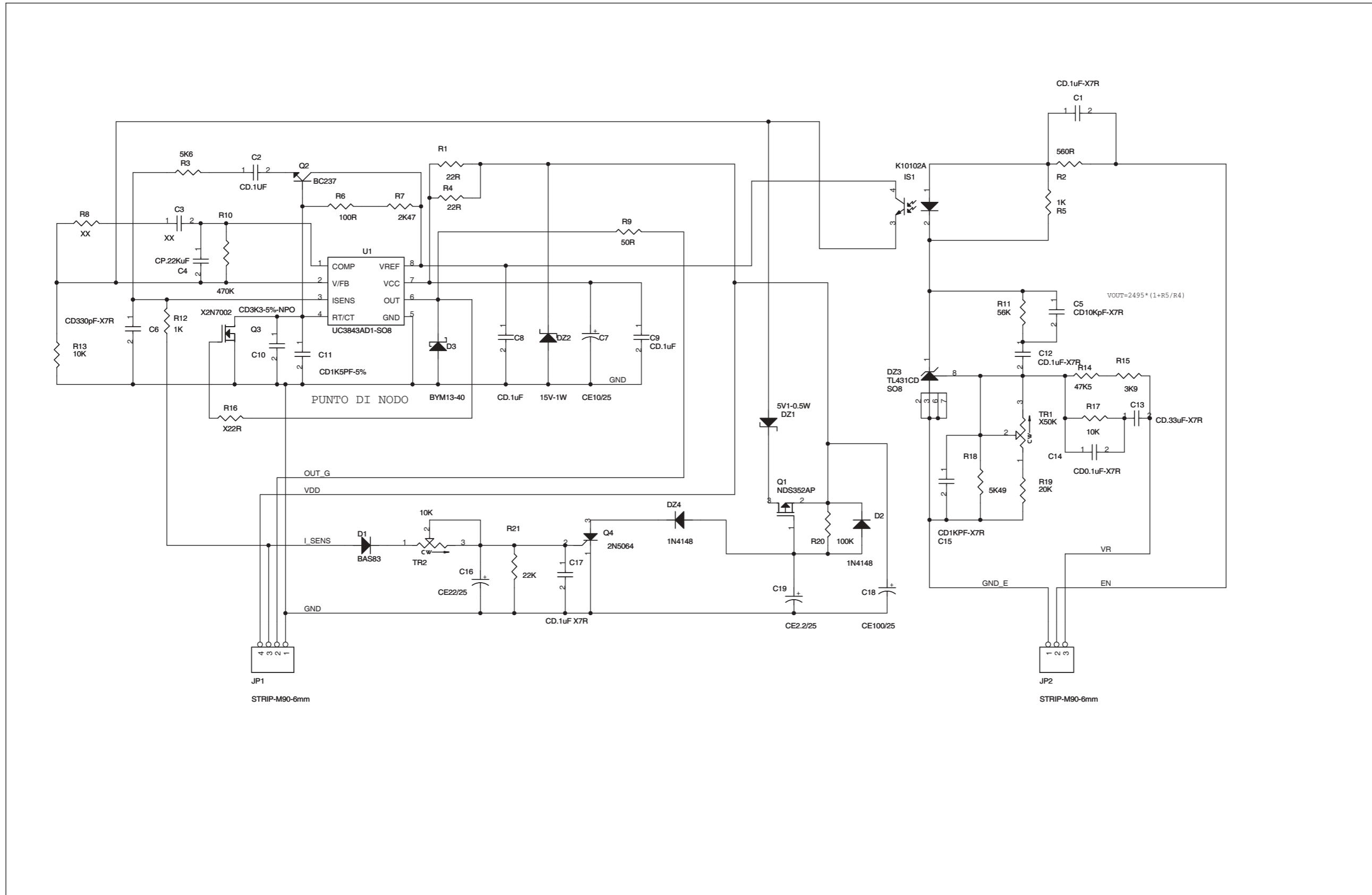
Nome Progetto: BLUES30NV		Pagina: 1 di 2	Size: A3
Autore: GRIPTECH	Data: 10/01/2005	Codice Progetto: FLY100 3842	
Nome PC in Rete: progetti su "UT_SRV"	Revisione: 2.0	Nome Parte: POWER SUPPLY 5-18-24VC 100W	
File/Cartella: PS24185UIBL2	Autorizzazione:	Codice: PS24185UIBL2	

Revised: Wednesday, March 16, 2005
Revision:

Item	Quantity	Reference	Part
1	1	BR1	KBL06
2	2	C2, C27	0.1uF-X2
3	1	C3	CP.1uF/400
4	1	C4	CD4K7pF
5	3	C5, C6, C10	2200/35
6	1	C8	CD.1uF
7	3	C9, C21, C22	100/400
8	1	C11	CD100PF-1KV
9	2	C13, C23	CD10KPF-1KV
10	1	C15	XCD2K2pF-Y2
11	2	C16, C17	CD2K2pF-Y2
12	3	C24, C25, C26	47/35
13	1	C28	XCD1KPF-1KV
14	2	DL6, DL7	LEDV-3D
15	2	DZ1, DZ3	P6KE200
16	1	DZ4	15V-1W
17	3	D1, D3, D4	UF4006
18	1	D2	P600G
19	1	D5	XU1550
20	1	D6	BYQ28E
21	1	D7	ISL9R460P2
22	1	FS1	3101-0050
23	4	F1, F2, F3, F6	BL02
24	1	F5	CVO.1A8.10M-E
25	1	JP1	KP01-1112-11
26	2	JP2, JP3	2.5MSF
27	1	J1	FAST-ON
28	1	J2	FLAT-16A
29	1	RT1	NTC10R
30	1	RV1	10N431K
31	1	R1	1M-1W
32	1	R2	10K-A.F.
33	1	R3	4R7-A.F.
34	2	R4, R8	100K/2W
35	1	R5	100R
36	1	R7	X10R/2W
37	2	R9, R10	0.68R/2W
38	1	R15	2K2
39	1	R16	1K
40	1	T1	TSWTCH6
41	1	U1	LM7805
42	1	U3	LM7818



NOME PROGETTO: BLUES30NV	NOME PARTE: UC3843 CONTROL
AUTORE: Griptech	DATA: 16/03/2005
ARCHIVIAZIONE ELETTRONICA: "CARTELLA PROGETTI" SU "UT_SRV"	REVISIONE: 1.0
MATERIALE: /	SCALA: 1:1
TRATTAMENTO: /	SIZE: A4
PROFILO: /	PAGINA: 2 DI 2
STATO: /	CODICE DISEGNO: PS24185UIBL2



Nome Progetto: BLUES30NV		Pagina: 2 di 2		Size: A3
Autore: GRIPTECH	Data: 23/02/2005	Codice Progetto: CSFLYCNT01		
Nome PC in Rete: progetti su "UT_SRV"		Revisione: 1.0	Nome Parte: UC3843 CONTROL	
File/Cartella: PS24185UIBL2	Autorizzazione:	Codice: PS24185UIBL2		

Revised: Wednesday, March 16, 2005
Revision:

Item	Quantity	Reference	Part
1	2	C1, C12	CD.1uF-X7R
2	3	C2, C8, C9	CD.1uF
3	2	C3, R8	XX
4	1	C4	CP.22KuF
5	1	C5	CD10KpF-X7R
6	1	C6	CD330pF-X7R
7	1	C7	CE10/25
8	1	C10	CD3K3-5%-NPO
9	1	C11	CD1K5PF-5%
10	1	C13	CD.33uF-X7R
11	1	C14	CD0.1uF-X7R
12	1	C15	CD1KPF-X7R
13	1	C16	CE22/25
14	1	C17	CD.1uF X7R
15	1	C18	CE100/25
16	1	C19	CE2.2/25
17	1	DZ1	5V1-0.5W
18	1	DZ2	15V-1W
19	1	DZ3	TL431CD
20	2	D2, DZ4	1N4148
21	1	D1	BAS83
22	1	D3	BYM13-40
23	1	IS1	K10102A
24	2	JP1, JP2	STRIP-M90-6mm
25	1	Q1	NDS352AP
26	1	Q2	BC237
27	1	Q3	X2N7002
28	1	Q4	2N5064
29	2	R1, R4	22R
30	1	R2	560R
31	1	R3	5K6
32	2	R5, R12	1K
33	1	R6	100R
34	1	R7	2K47
35	1	R9	50R
36	1	R10	470K
37	1	R11	56K
38	3	TR2, R13, R17	10K
39	1	R14	47K5
40	1	R15	3K9
41	1	R16	X22R
42	1	R18	5K49
43	1	R19	20K
44	1	R20	100K
45	1	R21	22K
46	1	TR1	X50K
47	1	U1	UC3843AD1-SO8